

[www.legends-yamaha-enduros.com](http://www.legends-yamaha-enduros.com)

# MODEL CT2

This Parts List is for the exclusive parts for the CT2.

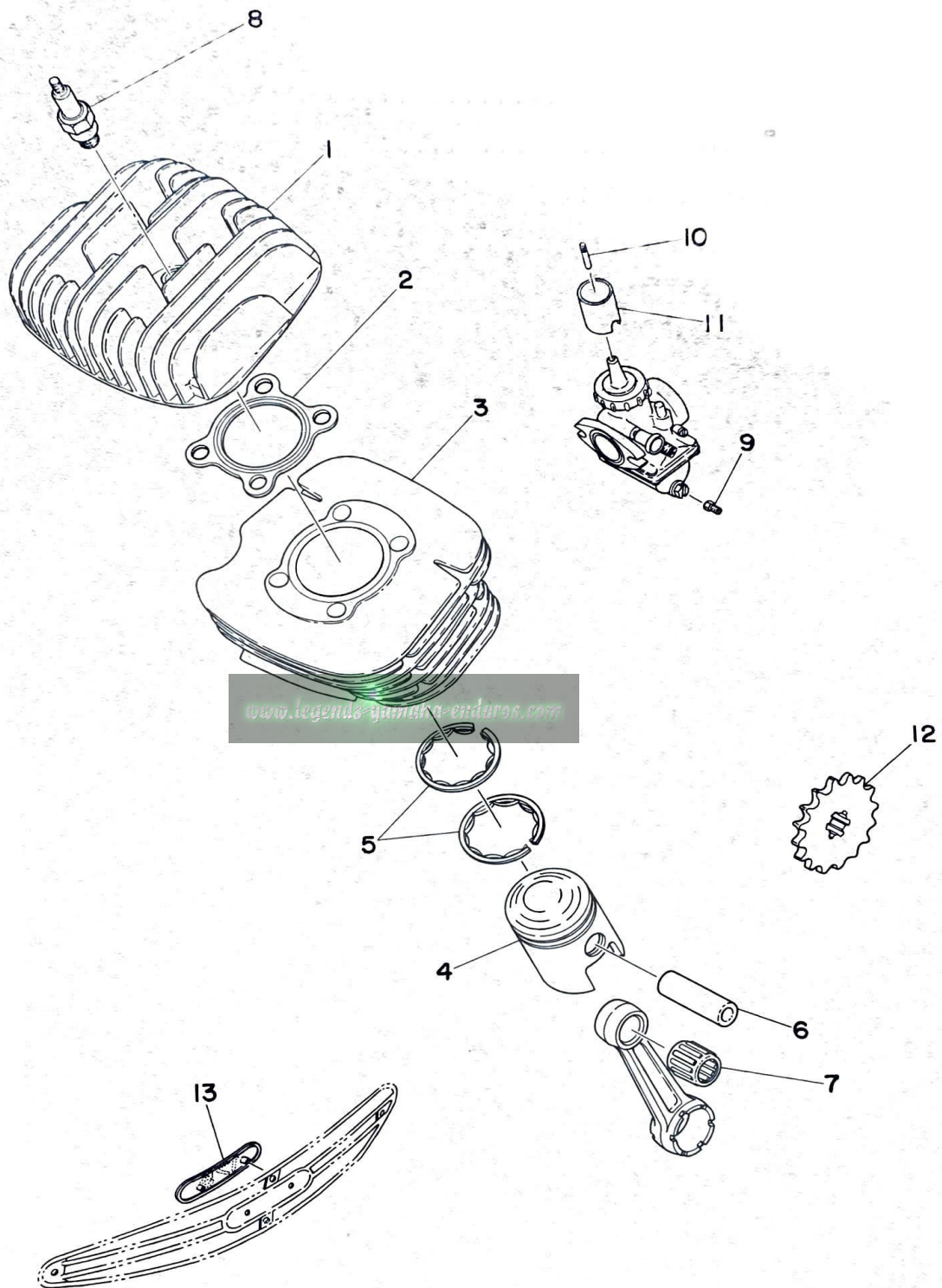
Please refer to AT2J Parts List for the parts not listed in this publication.

# CONTENTS

Fig. 1	Engine	.....	1
Fig. 2	Chassis	.....	3
Fig. 3	Front, Rear Wheel	.....	5
Fig. 4	Head Lamp	.....	7

## NUMERICAL INDEX

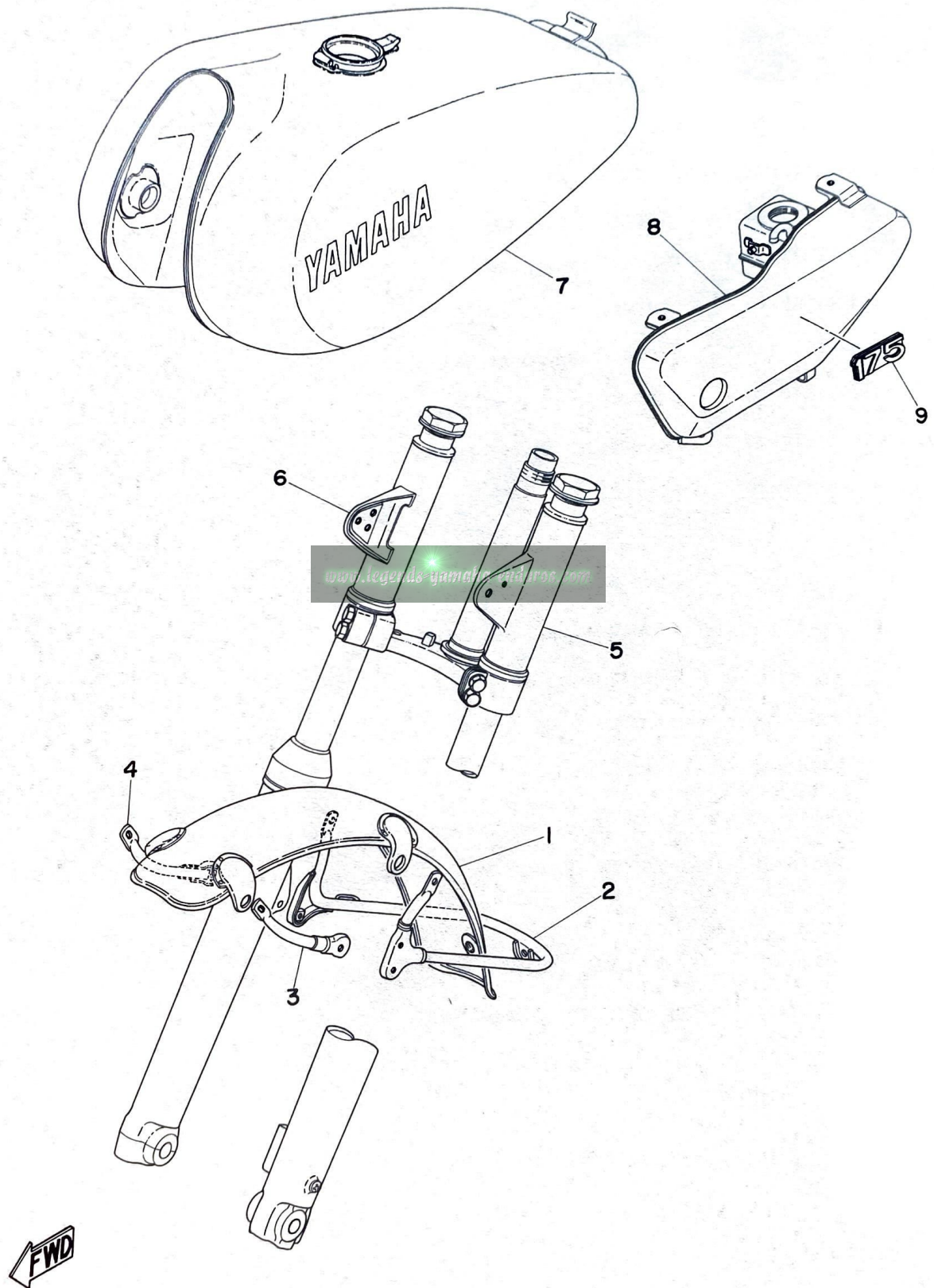
Fig. 1 ENGINE



# ENGINE

Ref. No.	Parts No.	Description	Q'ty	Applicable Machine No.	Remarks
1- 1	314-11111-00	HEAD, cylinder .....	1		
1- 2	251-11181-00	GASKET, cylinder head .....	1		
1- 3	314-11311-00	CYLINDER .....	1		
1- 4	314-11631-00-96	PISTON (STD) .96 .....	1		
	314-11631-00-97	PISTON (STD) .97 .....	1		
	314-11631-00-98	PISTON (STD) .98 .....	1		
	314-11631-00-99	PISTON (STD) .99 .....	1		
	314-11635-00	PISTON (1st O.S) .25 .....	1		Alternate Parts
	314-11636-00	PISTON (2nd O.S) .50 .....	1		Alternate Parts
1- 5	314-11610-00	PISTON RING SET (STD) .....	1		
	314-11610-10	PISTON RING SET (1st O.S) .....	1		Alternate Parts
	314-11610-20	PISTON RING SET (2nd O.S) .....	1		Alternate Parts
<a href="http://www.legends-yamaha-enduros.com">www.legends-yamaha-enduros.com</a>					
1- 6	251-11633-00	PIN, piston .....	1		
1- 7	93310-21632	BEARING, con-rod small end .....	1		
1- 8	94701-00044	PLUG, spark (B-7ES) .....	1		
1- 0-1	314-14101-00	CARBURETOR ASS'Y .....	1		
1- 9	137-14143-40	. JET, main #190 .....	1		Destined for highland area
	137-14343-38	. JET, main #200 .....	1		
1-10	164-14116-40	. NEEDLE (4L6-3) .....	1		
1-11	314-14112-20	. VALVE, throttle (#2.0) .....	1		
1-12	174-17461-60	SPROCKET, drive (16T) .....	1		
1-13	314-14729-30	EMBLEM, protector .....	1		
<b>ALTERNATE PARTS</b>					
1- 8-1	94701-00045	PLUG, spark (B8ES) .....	1		for southeast Asia & nearest Asia

Fig. 2 CHASSIS

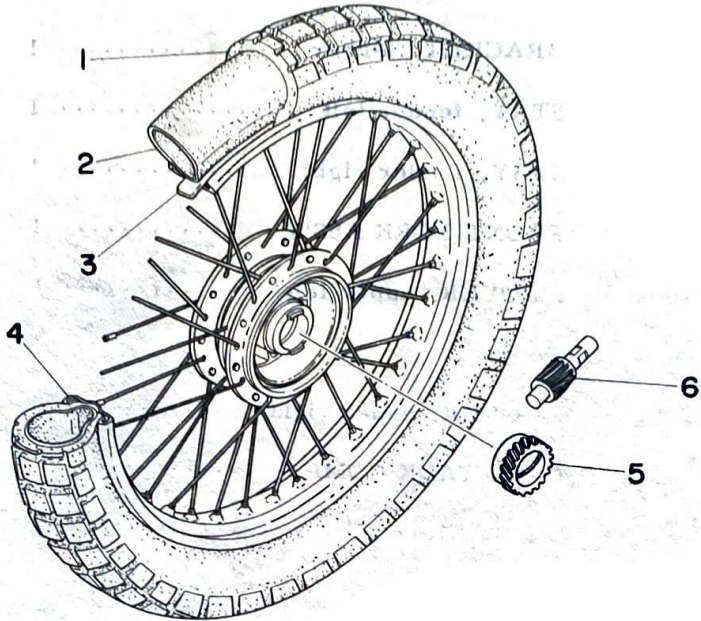


# CHASSIS

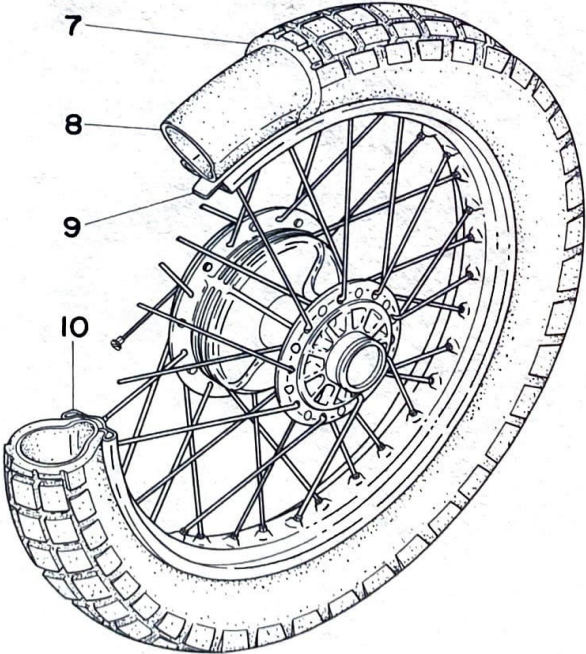
Ref. No.	Parts No.	Description	Q'ty	Applicable Machine No.	Remarks
2- 1	214-21510-00-35	FRONT FENDER COMP. ....	1		
2- 2	214-21512-00-93	BRACKET, fender ....	1		
2- 3	214-21513-00	STAY, fender left ....	1		
2- 4	214-21514-00	STAY, fender right ....	1		
2- 0-1	315-23100-50-63	FRONT FORK ASS'Y ....	1		Brilliant Red
2- 5	291-23121-60-63	. COVER, upper left ....	1		Brilliant Red
2- 6	291-23131-60-63	. COVER, upper right ....	1		Brilliant Red
2- 7	315-24110-00-63	FUEL TANK COMP. ....	1		Brilliant Red
2- 8	315-21705-01-63	OIL TANK COMP. ....	1		Brilliant Red
2- 9	315-21786-01-63	EMBLEM 175 ....	1		Brilliant Red

[www.legends-yamaha-enduros.com](http://www.legends-yamaha-enduros.com)

Fig. 3 FRONT, REAR WHEEL



[www.legends-yamaha-enduros.com](http://www.legends-yamaha-enduros.com)



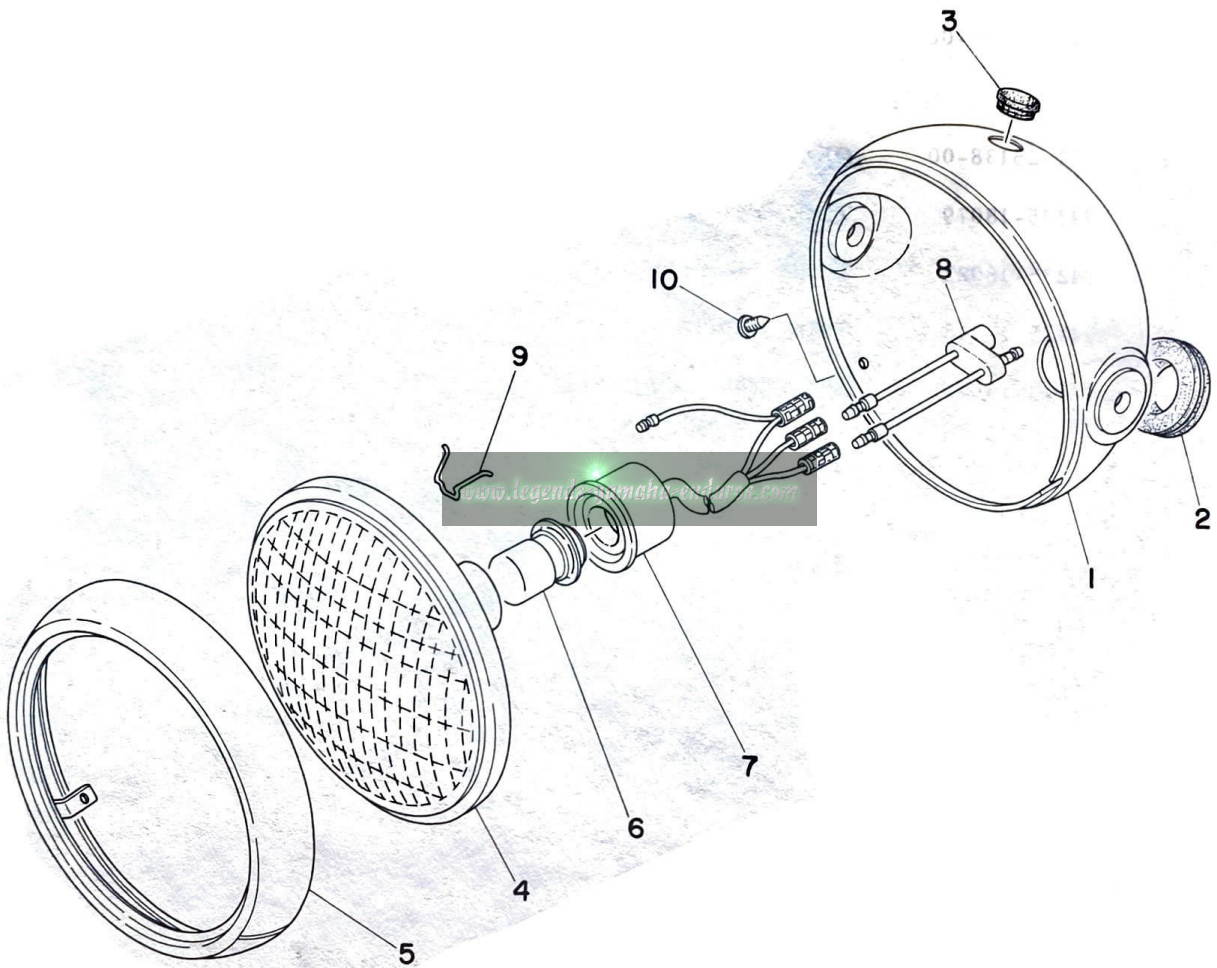
# FRONT, REAR WHEEL

Ref. No.	Parts No.	Description	Q'ty	Applicable Machine No.	Remarks
3- 1	94132-18074	TIRE, front (3.50-18-4PR)	..... 1		
3- 2	94232-18020	TUBE (3.25-18)	..... 1		
3- 3	94332-18016	BAND, rim (3.25-18)	..... 1		
3- 4	94416-18046	RIM (1.60A-18)	..... 1		
3- 5	301-25135-00	GEAR, drive	..... 1		
3- 6	301-25138-00	GEAR, meter	..... 1		
3- 7	94135-18079	TIRE, rear (3.25-18-4PR)	..... 1		
3- 8	94235-18022	TUBE (3.50-18)	..... 1		
3- 9	94335-18018	BAND, rim (3.50-18)	..... 1		
3-10	94418-18045	RIM (1.80A-18)	..... 1		

[www.legends-yamaha-enduros.com](http://www.legends-yamaha-enduros.com)



Fig. 4 HEAD LAMP



FWD

# HEAD LAMP

Ref. No.	Parts No.	Description	Q'ty	Applicable Machine No.	Remarks
4- 1	214-84130-61-63	BODY ASS'Y .....	1		Brilliant Red
4- 2	214-84153-60	. GROMMET .....	1		
4- 3	214-84154-60	. GROMMET .....	1		
4- 0-1	251-84110-00	HEAD LAMP UNIT ASS'Y .....	1		
4- 4	237-84320-00	. LENS ASS'Y .....	1		
4- 5	237-84315-00	. RIM, head lamp .....	1		
4- 6	251-84114-00	. BULB (6V 25WD) .....	1		
4- 7	214-84112-61	. SOCKET .....	1		
4- 8	214-84159-60	. CORD, head lamp .....	1		
4- 9	195-84324-00	. SPRING, reflector set .....	3		
4-10	195-84325-00	. SCREW, rim fitting .....	1		

[www.legends-yamaha-enduros.com](http://www.legends-yamaha-enduros.com)

# NUMERICAL INDEX

Ref No.	Parts No.	Ref No.	Parts No.	Ref No.	Parts No.
1- 9	137-14143-38	1-13	314-14729-30		
1- 9	137-14343-40	2- 8	315-21705-01-64		
1-10	164-14116-03	2- 9	315-21786-01-64		
1-12	174-17461-60	2- 0-1	315-23100-50-64		
4- 9	195-84324-00	2- 7	315-24110-00-64		
4-10	195-84325-00	1- 7	93310-21632		
2- 1	214-21510-00-35	3- 1	94132-18074		
2- 2	214-21512-00-93	3- 7	94135-18079		
2- 3	214-21513-00	3- 2	94232-18020		
2- 4	214-21514-00	3- 8	94235-18022		
4- 7	214-84112-61	3- 3	94332-18016		
4- 1	214-84130-61-64	3- 9	94335-18018		
4- 2	214-84153-60	3- 4	94416-18046		
4- 3	214-84154-60	3-10	94418-18045		
4- 8	214-84159-60	1- 8	94701-00044		
4- 5	237-84315-00	1- 8-1	94701-00045		
4- 4	237-84320-00				
1- 2	251-11181-00				
1- 6	251-11633-00				
4- 0-1	251-84110-00				
4- 6	251-84114-00				
2- 5	291-23121-60-64				
2- 6	291-23131-60-64				
3- 5	301-25135-00				
3- 6	301-25138-00				
1- 1	314-11111-00				
1- 3	314-11311-00				
1- 5	314-11610-00				
1- 5	314-11610-10				
1- 5	314-11610-20				
1- 4	314-11631-00-96				
1- 4	314-11631-00-97				
1- 4	314-11631-00-98				
1- 4	314-11631-00-99				
1- 4	314-11635-00				
1- 4	314-11636-00				
1- 0-1	314-14101-00				
1-11	314-14112-20				

[www.legends-yamaha-enduros.com](http://www.legends-yamaha-enduros.com)

[www.legends-yamaha-enduros.com](http://www.legends-yamaha-enduros.com)



**YAMAHA MOTOR CO., LTD.**

**PRINTED IN JAPAN**

**First edition July, 1971**

**(315-20)**