

PARTS CATALOGUE

WR250Z'98 (5EN1) EUROPE

WR250Z'98 (5EN2) JAPAN

WR250ZK (5EN3) CANADA, OCEANIA

WR250Z/WR250ZK
PARTS CATALOGUE
©2002 by Yamaha Motor Co., Ltd.
1st Edition, Apr. 2002
All rights reserved.
Any reprinting or unauthorized use
without the written permission of
Yamaha Motor Co., Ltd.
is expressly prohibited.
Printed in Japan

A3



A4

FOREWORD

This Parts Catalogue is related to the parts for the model(s) in the below frame. When you are ordering replacement parts, please refer to this Parts Catalogue and quote both part numbers and part names correctly.

WR250Z'98(5EN1/5EN2),WR250ZK(5EN3)

1. Modifications or additions which have been made after issue of the Parts Catalogue will be announced in the Yamaha Parts News.
It is advisable that you make necessary corrections to the Parts Catalogue according to the Yamaha Parts News.

2. Abbreviations

The Following abbreviations are used in this Parts Catalogue.

“UR” Use specified parts number.

“UN” Use as many as needed.

“AP” Alternate Parts

“LM” Local Made (Parts need to be ordered locally)

“F#” Frame No. (Applicable machine No.)

3. Parts, which are to be supplied in an assembly, are listed with a dot(.) in front of the part name as shown below.

EXAMPLE

CARBURETOR ASSY

.JET, PILOT

.NOZZLE, MAIN

4. Number of component for assembly

The numeral appearing to the right of each component part indicates the quantity of parts for each assembly unit.

EXAMPLE

PART NO.	DESCRIPTION	Q'TY	REMARKS
2F5-83310-60	FRONT FLASHER LIGHT ASSY	2	
115-83311-60	.BULB (6V-18W)	1	
1M1-83309-60	.REFLECTOR	1	

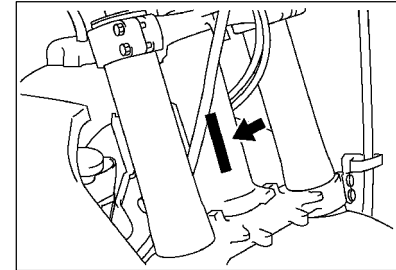
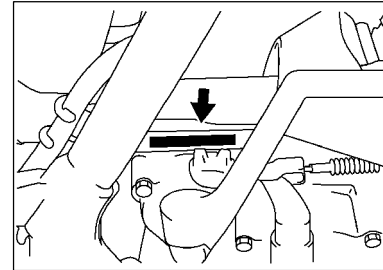
5. Applicable colors of graphics are represented in the “REMARKS” as shown below.

PART NO.	DESCRIPTION	Q'TY	REMARKS
2N4-24110-00-X5	FUEL TANK COMP.	1	MXR
3J1-24240-10	.GRAPHIC, FUEL TANK	1	FOR MXR

6. Applicable Serial No.

Engine Serial No.

Frame Serial No.



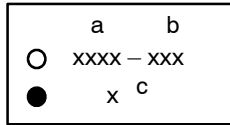
7. Note that the illustrations for reference in finding parts numbers, not to be used for assembling. When assembling, please use the applicable service manual.

8. The asterisk (*) before a reference number indicates modification items after the first edition.

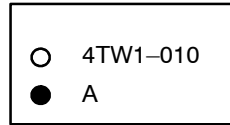
MODEL LABEL

(1) A label called "Model Label" is affixed in the location as indicated in (3) below.
When using this parts catalogue, please be sure to cross-refer the "model code – production code No." in the catalogue to the "model code – production code No." indicated on the Model Label affixed onto the product concerned.

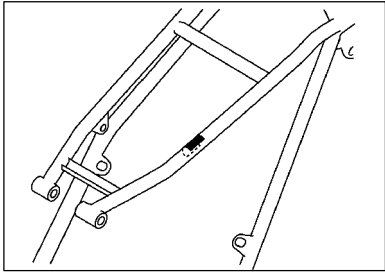
(2) "Model Label" Indication



a: Model Type Code
b: Production Code No.
c: Colouring Type



(3) Model Label Affixing Location



(4) Model Code – Production Code Number of Model Listed in This Parts Catalog

Model Code	Production Code No.	Country (destination)	Model Code	Production Code No.	Country (destination)
5EN1	030	BELGIUM			
	050	GERMANY			
	060	SPAIN			
	070	FINLAND			
		IRELAND			
	080	FRANCE			
	090	ENGLAND			
	100	GREECE			
	110	ITALY			
	120	PORTUGAL			
130	SWEDEN				
5EN2	010	JAPAN			
5EN3	020	OCEANIA			
	030	CANADA			

(5) Colouring Information

Model Code	Colouring type code	Colour code	Colour Name	Abbreviation
5EN1 5EN2 5EN3	A	0583	DEEP PURPLISH BLUE SOLID E	DPBSE

CONTENTS

ENGINE

CYLINDER HEAD	B2
GOVERNOR	B4
CRANKSHAFT. PISTON	B5
WATER PUMP	B6
RADIATOR. HOSE	B7
INTAKE	B8
CARBURETOR	B9
EXHAUST	B12
CRANKCASE	B13
CRANKCASE COVER 1	B14
STARTER	B15
CLUTCH	C2
TRANSMISSION	C3
SHIFT CAM. FORK	C5
SHIFT SHAFT	C6

CHASSIS

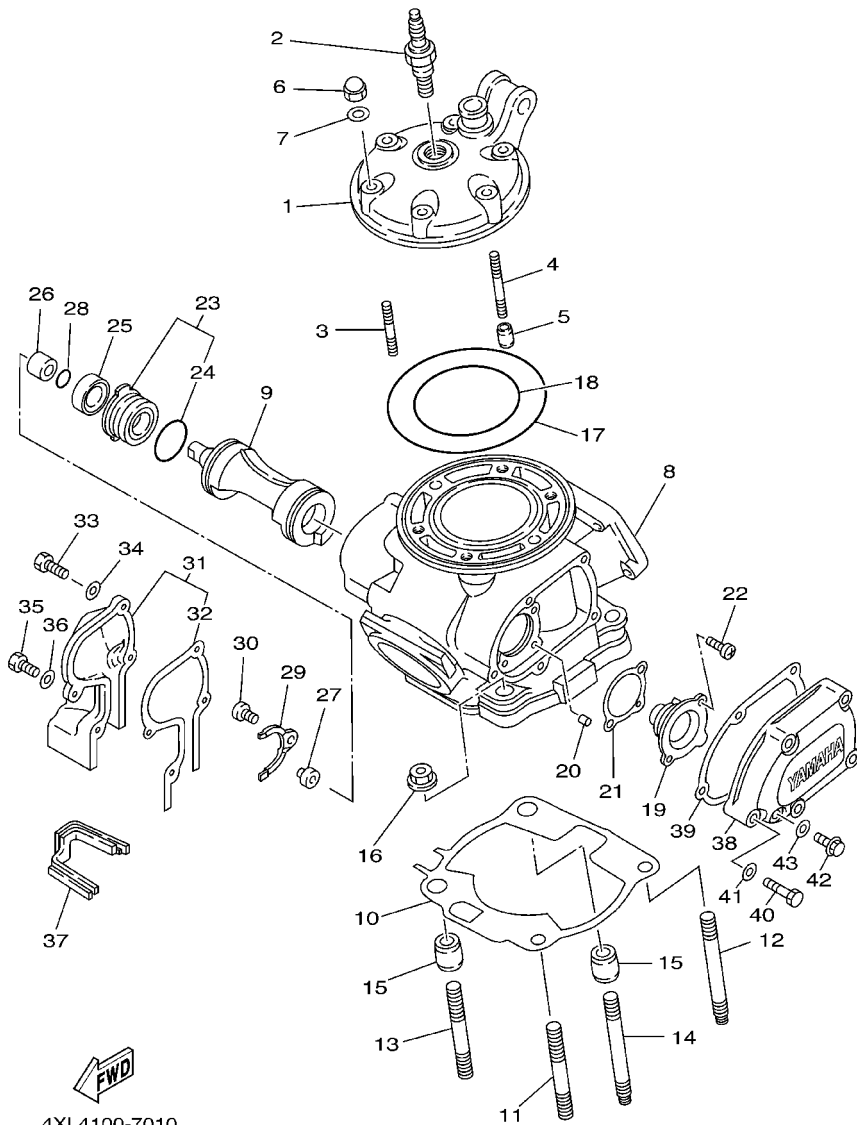
FRAME	C7
FENDER	C8
SIDE COVER	C9
REAR ARM	C10
REAR SUSPENSION	C12
STEERING	C13
FRONT FORK	C14
FUEL TANK	D2
SEAT	D4
FRONT WHEEL	D5
FRONT BRAKE CALIPER	D6
REAR WHEEL	D7

REAR BRAKE CALIPER	D9
STEERING HANDLE. CABLE	D10
FRONT MASTER CYLINDER	D11
STAND. FOOTREST	D12
REAR MASTER CYLINDER	D13
GENERATOR	D14
HANDLE SWITCH. LEVER	D15
ELECTRICAL 1	E2
ALTERNATE (CHASSIS)	E3
OPTIONAL PARTS 1	E4

INDEX

NUMERICAL INDEX	M1
-----------------------	----

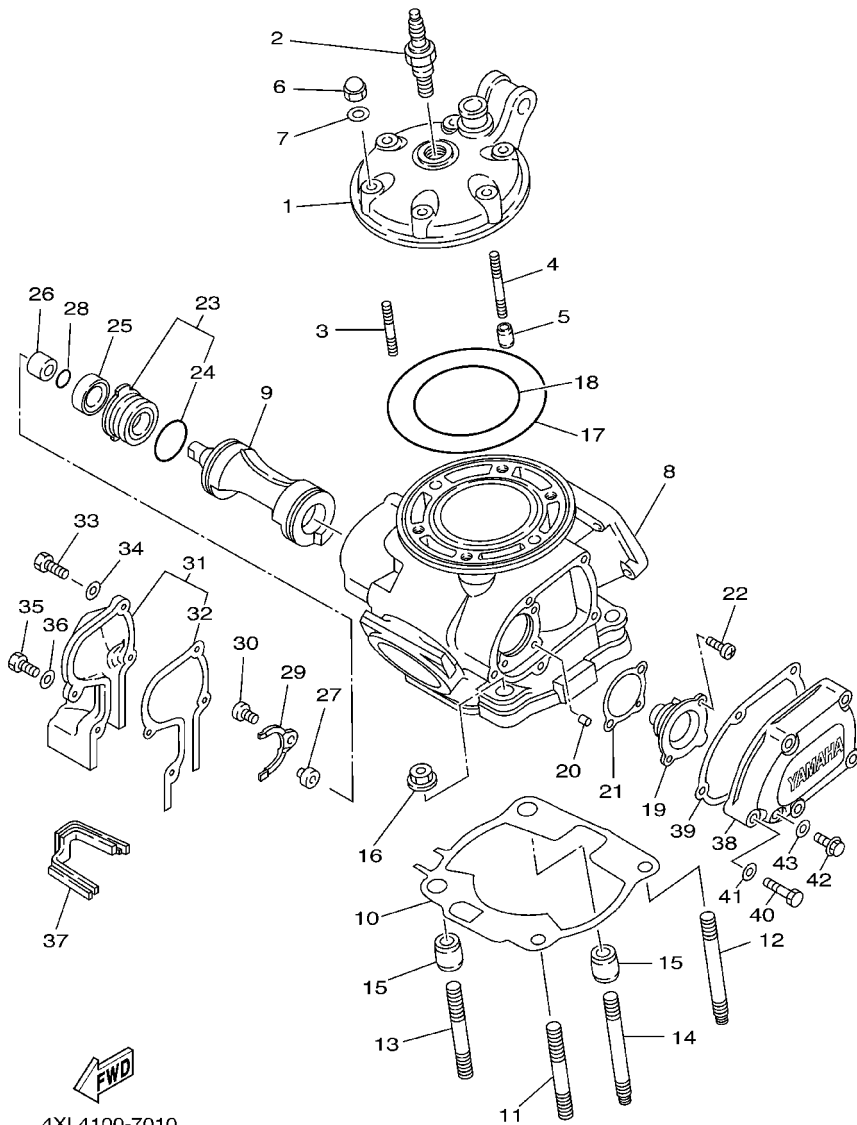
FIG. 1 CYLINDER HEAD



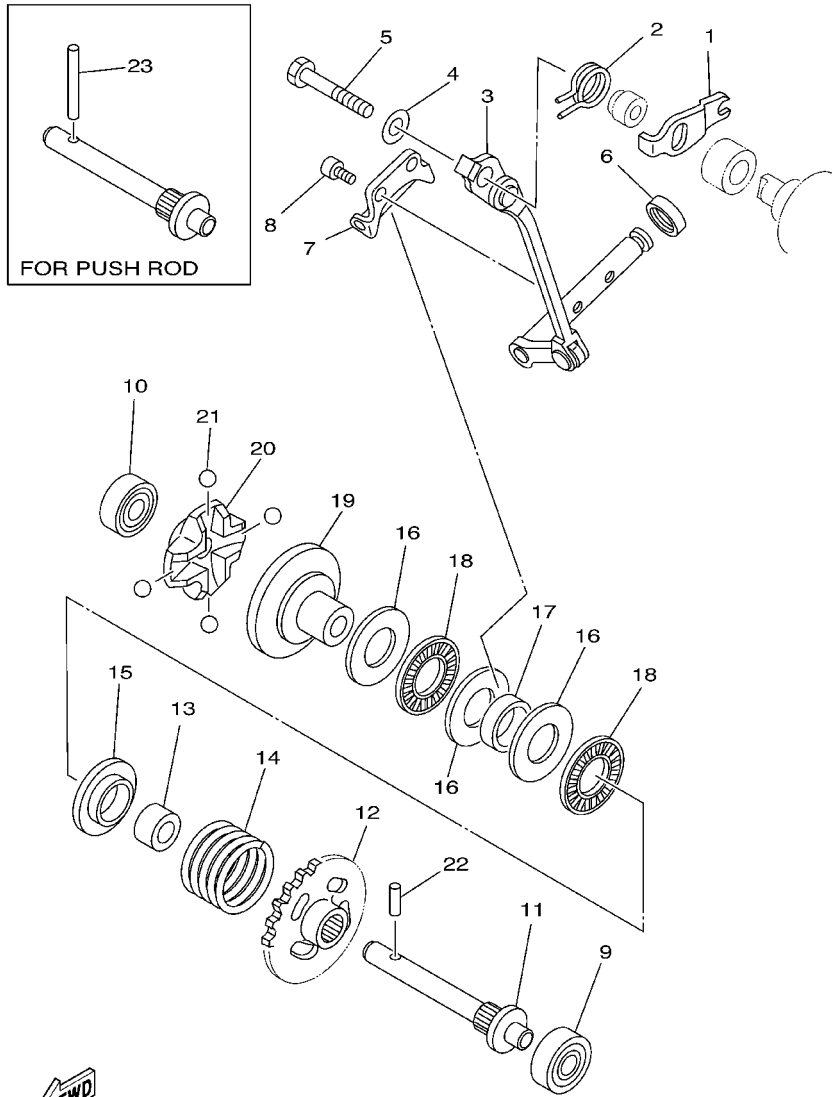
4XL4100-7010

REF. NO.	PART NO.	DESCRIPTION	CAN	OC	EUR	JPN	REMARKS
1	5DJ-11111-00	HEAD, CYLINDER 1	1	1	1	1	
2	94702-00326	PLUG, SPARK (NGK BR8EG)	1	1	1		
	94709-00326	PLUG, SPARK (NGK BR8EG)				1	
3	90116-08394	BOLT, STUD	4	4	4	4	
4	90116-08392	BOLT, STUD	2	2	2	2	
5	99530-10114	PIN, DOWEL	2	2	2	2	
6	90176-08026	NUT, CROWN	6	6	6	6	
7	90201-08087	WASHER, PLATE	6	6	6	6	
8	4XL-11311-10	CYLINDER 1	1	1	1	1	
9	4XL-1131A-10	VALVE 1	1	1	1	1	
10	4XL-11351-01	GASKET, CYLINDER	1	1	1	1	
11	90116-10314	BOLT, STUD	1	1	1	1	
12	90116-10547	BOLT, STUD	1	1	1	1	
13	90116-10314	BOLT, STUD	1	1	1	1	
14	90116-10547	BOLT, STUD	1	1	1	1	
15	99530-14016	PIN, DOWEL	2	2	2	2	
16	95707-10500	NUT, FLANGE	4	4	4	4	
17	93210-77363	O-RING	1	1	1	1	
18	93211-11770	O-RING	1	1	1	1	
19	3JE-Y113E-00	HOLDER 1	1	1	1	1	
20	93604-08071	PIN, DOWEL	1	1	1	1	
21	3JE-1131N-10	GASKET, HOLDER	1	1	1	1	
22	98507-05012	SCREW, PAN HEAD	2	2	2	2	
23	5X4-Y113F-10	HOLDER 2 ASSY	1	1	1	1	
24	93210-270A8	.O-RING	1	1	1	1	
25	93104-16074	OIL SEAL	1	1	1	1	
26	90387-102W0	COLLAR	1	1	1	1	

FIG. 1 CYLINDER HEAD



REF. NO.	PART NO.	DESCRIPTION	CAN	OC	EUR	JPN	REMARKS
27	3JE-11937-01	BOSS, LEVER	1	1	1	1	
28	93210-09192	O-RING	1	1	1	1	
29	1LX-11915-00	PLATE, THRUST 1	1	1	1	1	
30	98507-05008	SCREW, PAN HEAD	1	1	1	1	
31	3SP-11992-11	HOUSING 2	1	1	1	1	
32	3SP-11993-10	.GASKET	1	1	1	1	
33	97007-05020	BOLT	2	2	2	2	
34	92907-05600	WASHER, PLATE	2	2	2	2	
35	97007-05016	BOLT	2	2	2	2	
36	92907-05600	WASHER, PLATE	2	2	2	2	
37	2VM-11995-01	SEAL, HOUSING	1	1	1	1	
38	4MX-1131M-00	COVER	1	1	1	1	
39	4MX-11354-00	GASKET	1	1	1	1	
40	97017-05030	BOLT	5	5	5	5	
41	92907-05600	WASHER, PLATE	5	5	5	5	
42	95027-06008	BOLT, FLANGE	1	1	1	1	
43	90430-06014	GASKET	1	1	1	1	

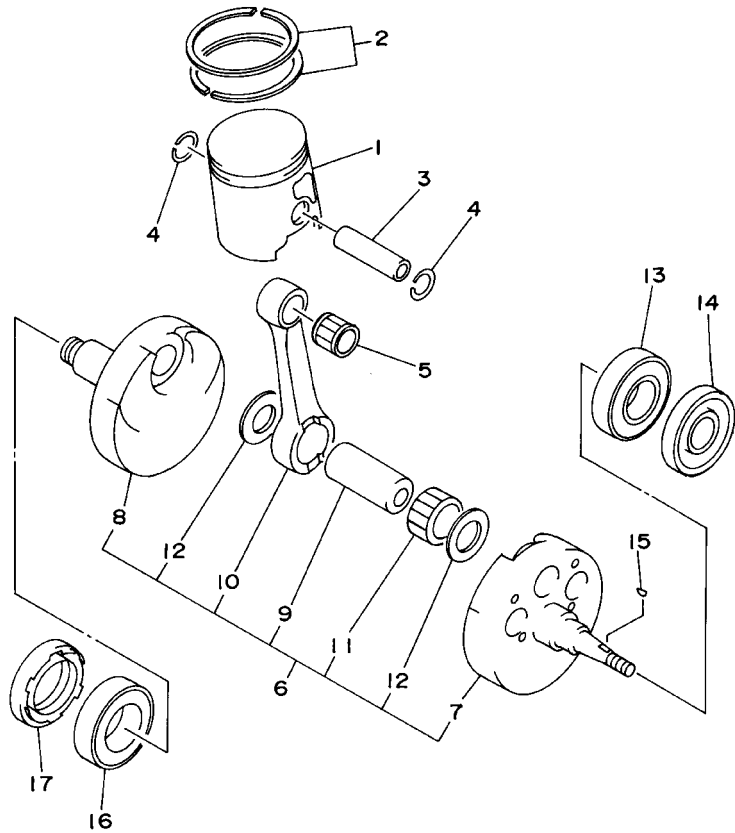


FWD
5DJ1100-8020

FIG. 2 GOVERNOR

REF. NO.	PART NO.	DESCRIPTION	CAN	OOE	EUR	JPN	REMARKS
1	3JE-11931-01	LEVER	1	1	1	1	
2	90508-14783	SPRING, TORSION	1	1	1	1	
3	3SP-11990-00	PUSH ROD ASSY	1	1	1	1	
4	90201-057H5	WASHER, PLATE	1	1	1	1	
5	97007-05030	BOLT	1	1	1	1	
6	93104-08040	OIL SEAL	1	1	1	1	
7	3JE-11922-01	FORK, GOVERNOR	1	1	1	1	
8	91317-04006	BOLT	2	2	2	2	
9	93300-60801	BEARING (B0060)	1	1	1	1	KOYO
10	93300-60801	BEARING (B0060)	1	1	1	1	KOYO
11	5X4-11921-02	SHAFT, GOVERNOR	1	1	1	1	
12	24X-11953-01	GEAR, GOVERNOR	1	1	1	1	
13	90560-08213	SPACER	1	1	1	1	
14	90501-213L7	SPRING, COMPRESSION	1	1	1	1	
15	5X4-11952-00	PLATE	1	1	1	1	
16	90201-154F5	WASHER, PLATE (T=0.8)	3	3	3	3	
17	90387-152F2	COLLAR	1	1	1	1	
18	93340-21505	BEARING	2	2	2	2	
19	5X5-11912-01	RETAINER, WEIGHT	1	1	1	1	
20	5X5-11911-01	RETAINER	1	1	1	1	
21	93521-64032	BALL	4	4	4	4	
22	93603-14240	PIN, DOWEL	1	1	1	1	
23	93604-29184	PIN, DOWEL	1	1	1	1	AP FOR PUSH ROD

FIG. 3 CRANKSHAFT. PISTON

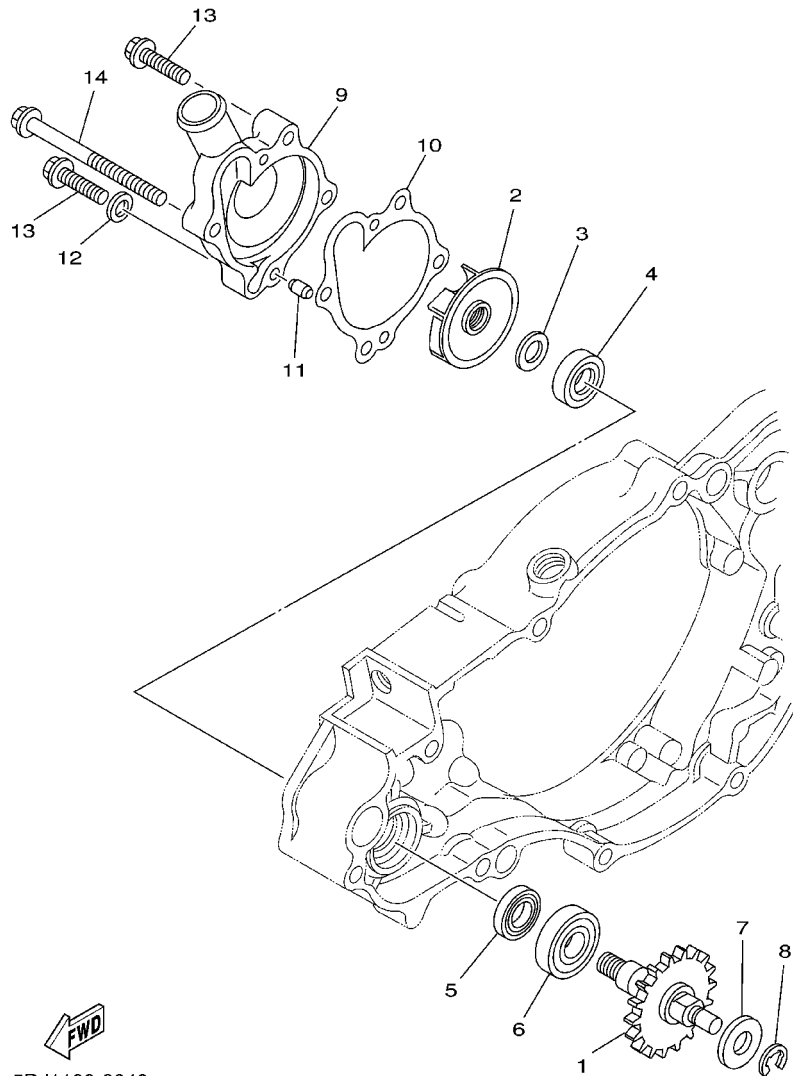


REF. NO.	PART NO.	DESCRIPTION	CAN	OOE	EUR	JPN	REMARKS
1	4SR-11631-00-A0	PISTON (STD)	1	1	1	1	
	4SR-11631-00-B0	PISTON (STD)	1	1	1	1	
	4SR-11631-00-C0	PISTON (STD)	1	1	1	1	
	4SR-11631-00-D0	PISTON (STD)	1	1	1	1	
2	4JX-11603-00	PISTON RING SET (STD)	1	1	1	1	
3	2VM-11633-01	PIN, PISTON	1	1	1	1	
4	93450-19052	CIRCLIP	2	2	2	2	
5	93310-418E9	BEARING	1	1	1	1	
6	5DJ-11400-00	CRANKSHAFT ASSY	1	1	1	1	
7	4SR-11410-10	.CRANKSHAFT	1	1	1	1	
8	4SR-11420-00	.CRANKSHAFT	1	1	1	1	
9	4SR-11681-00	.PIN, CRANK 1	1	1	1	1	
10	5X5-11651-03	.ROD, CONNECTING	1	1	1	1	
11	93310-425P2	.BEARING	1	1	1	1	
12	90209-25085	.WASHER	2	2	2	2	
13	93306-37807	BEARING	1	1	1	1	
14	93102-22363	OIL SEAL	1	1	1	1	
15	90280-03045	KEY, WOODRUFF	1	1	1	1	
16	93306-37807	BEARING	1	1	1	1	
17	93103-36182	OIL SEAL	1	1	1	1	



4SR1100-6030

FIG. 4 WATER PUMP

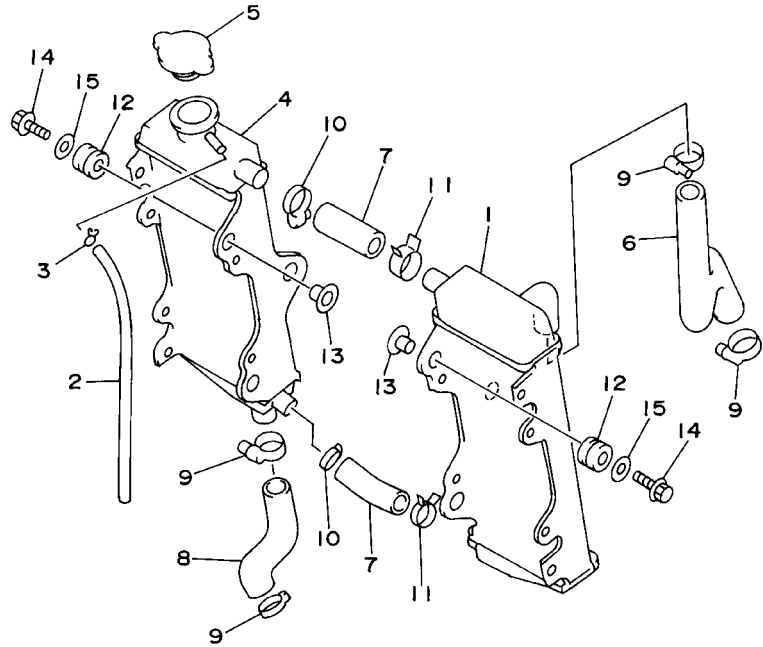


REF. NO.	PART NO.	DESCRIPTION	CAN	OC	EUR	JPN	REMARKS
1	5DJ-12459-00	GEAR, IMPELLER SHAFT	1	1	1	1	
2	5DJ-12451-00	IMPELLER, WATER PUMP	1	1	1	1	
3	90201-08512	WASHER, PLATE	1	1	1	1	
4	93109-11073	OIL SEAL	1	1	1	1	
5	93102-12106	OIL SEAL (SD 12-22-5 HS)	1	1	1	1	
6	93306-00105	BEARING (B6001)	1	1	1	1	
7	90201-08784	WASHER, PLATE	1	1	1	1	
8	99001-06600	CIRCLIP	1	1	1	1	
9	4SR-12422-00	COVER, HOUSING	1	1	1	1	
10	2VM-12428-11	GASKET, HOUSING COVER 2	1	1	1	1	
11	93604-10011	PIN, DOWEL	2	2	2	2	
12	90430-06166	GASKET	1	1	1	1	
13	95027-06025	BOLT, FLANGE	3	3	3	3	
14	95027-06065	BOLT, FLANGE	1	1	1	1	



5DJ1100-8040

FIG. 5 RADIATOR. HOSE

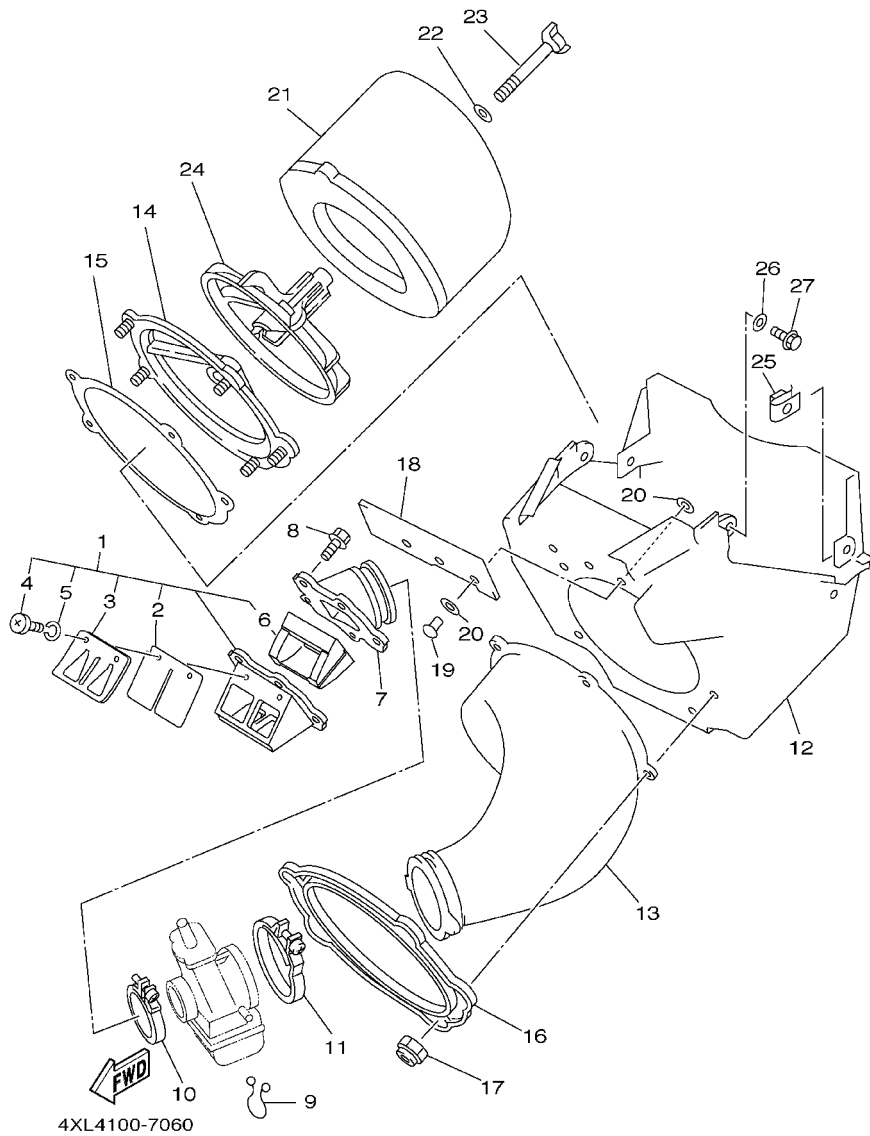


REF. NO.	PART NO.	DESCRIPTION	CAN	OC	EUR	JPN	REMARKS
1	4SR-1240A-00	RADIATOR ASSY	1	1	1	1	
2	91A20-05065	TUBE, FLEXIBLE VINYL	1	1	1	1	
3	90467-09006	CLIP	1	1	1	1	
4	4SR-12461-00	RADIATOR ASSY	1	1	1	1	
5	22W-12462-00	CAP, RADIATOR	1	1	1	1	
6	4XL-12481-00	PIPE 1	1	1	1	1	
7	4SS-12482-00	PIPE 2	2	2	2	2	
8	4XL-12484-00	PIPE 4	1	1	1	1	
9	90450-28014	HOSE CLAMP ASSY	4	4	4	4	
10	90450-25037	HOSE CLAMP ASSY	2	2	2	2	
11	90467-21068	CLIP	2	2	2	2	
12	90480-15528	GROMMET	6	6	6	6	
13	90387-0700G	COLLAR	6	6	6	6	
14	95027-06030	BOLT, FLANGE	6	6	6	6	
15	90201-06071	WASHER, PLATE	6	6	6	6	



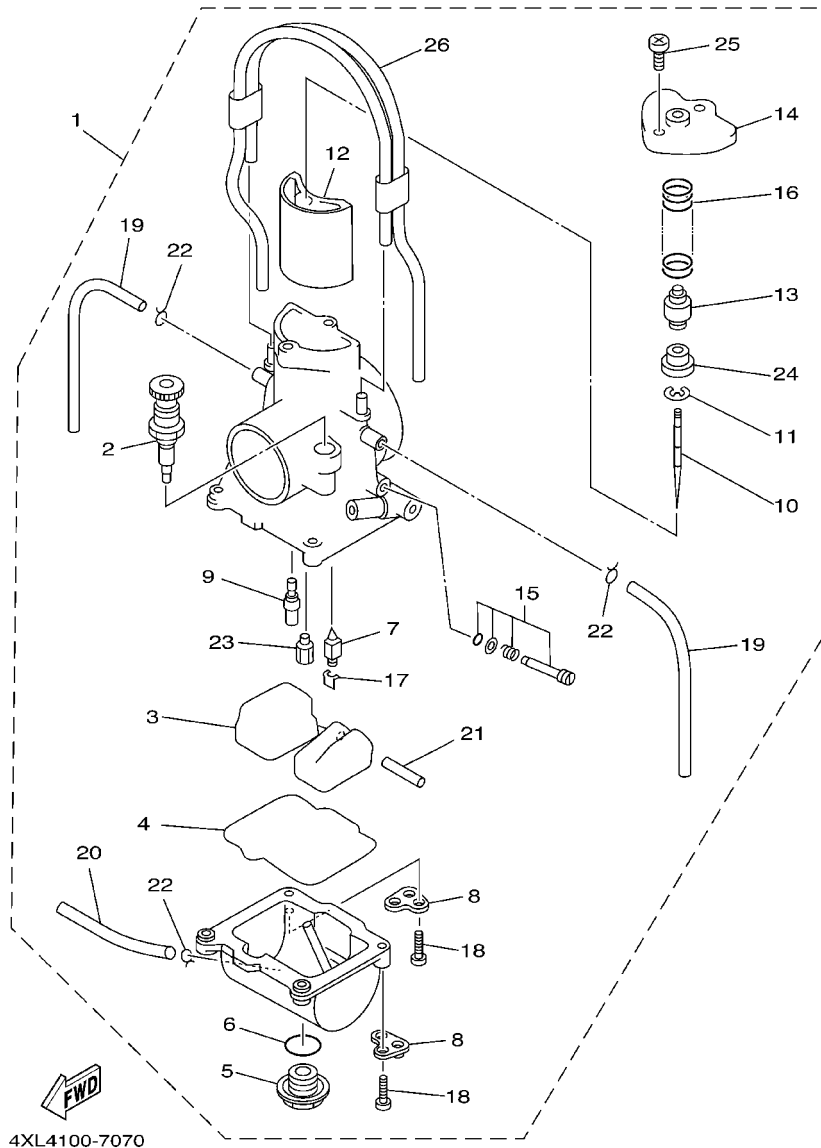
4SR1100-6050

FIG. 6 INTAKE



REF. NO.	PART NO.	DESCRIPTION	CAN	OOE	EUR	JPN	REMARKS
1	4XL-13610-00	REED VALVE ASSY	1	1	1	1	
2	4XL-13613-00	.REED, VALVE	2	2	2	2	
3	4XL-13616-00	.STOPPER, REED VALVE	2	2	2	2	
4	98507-03008	.SCREW, PAN HEAD	4	4	4	4	
5	92907-03100	.WASHER	4	4	4	4	
6	4XL-13625-00	SPACER, REED VALVE	1	1	1	1	
7	4XL-13565-00	JOINT, CARBURETOR	1	1	1	1	
8	91317-06020	BOLT	5	5	5	5	
9	90464-16039	CLAMP	2	2	2	2	
10	90450-51070	HOSE CLAMP ASSY	1	1	1	1	
11	90450-70072	HOSE CLAMP ASSY	1	1	1	1	
12	4SS-14401-02	AIR CLEANER CASE ASSY	1	1	1	1	
13	4SR-14453-00	JOINT, AIR CLEANER 1	1	1	1	1	
14	3JD-14459-01	HOLDER, GUIDE	1	1	1	1	
15	3JD-14462-00	SEAL	1	1	1	1	
16	3JD-14477-00	PLATE	1	1	1	1	
17	95607-05100	NUT, U	5	5	5	5	
18	4SS-14417-00	COVER 1	1	1	1	1	
19	90267-32070	RIVET, BLIND	3	3	3	3	
20	90201-03313	WASHER, PLATE	6	6	6	6	
21	4XM-14451-00	ELEMENT, AIR CLEANER	1	1	1	1	
22	90209-06096	WASHER	1	1	1	1	
23	90122-06035	BOLT, WING	1	1	1	1	
24	3JD-14458-01	GUIDE	1	1	1	1	
25	90183-06023	NUT, SPRING	4	4	4	4	
26	90201-061A5	WASHER, PLATE	2	2	2	2	
27	90105-06553	BOLT, WASHER BASED	2	2	2	2	

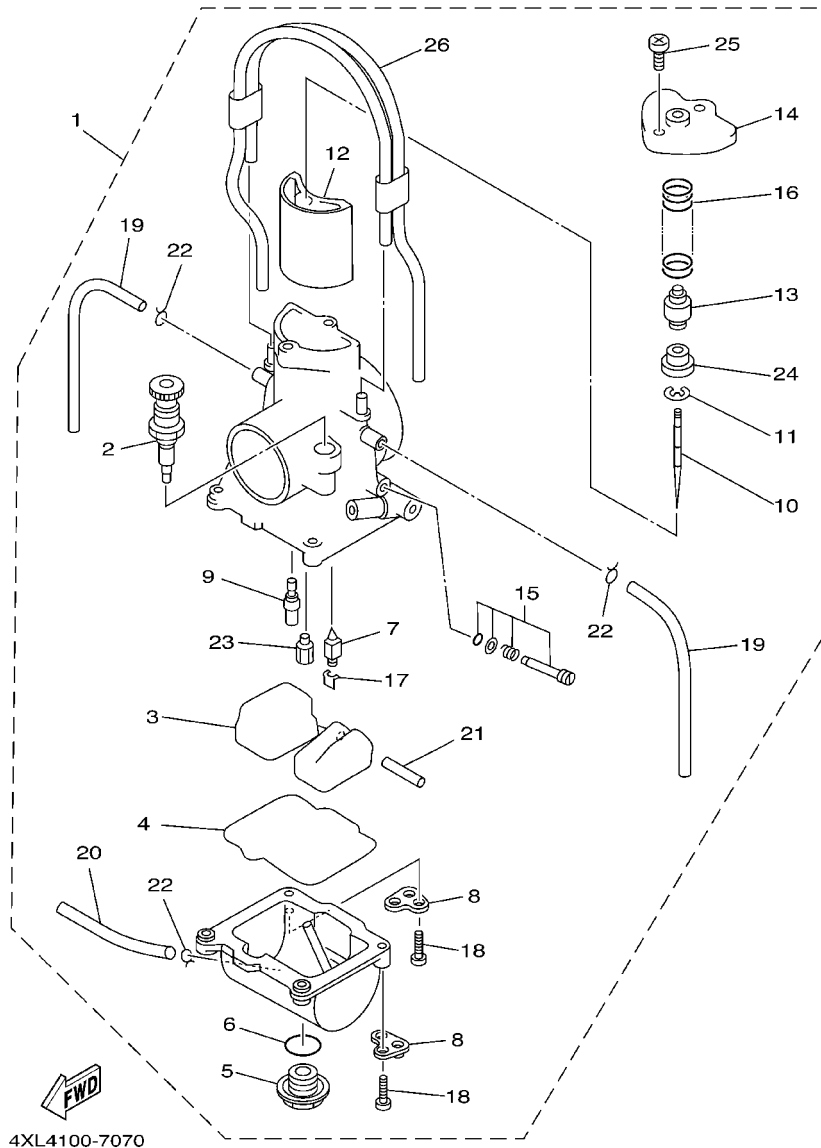
FIG. 7 CARBURETOR



4XL4100-7070

REF. NO.	PART NO.	DESCRIPTION	CAN	COE	EUR	JPN	REMARKS
1	5DJ-14101-00	CARBURETOR ASSY 1	1	1	1	1	
2	4SR-14171-00	.PLUNGER, STARTER	1	1	1	1	
3	4SR-14985-00	.FLOAT	1	1	1	1	
4	4MX-14984-00	.GASKET, FLOAT CHAMBER	1	1	1	1	
5	4MX-14115-00	.PLUG, SCREW	1	1	1	1	
6	4MX-14561-00	.O-RING	1	1	1	1	
7	4MX-14392-00	.VALVE, NEEDLE	1	1	1	1	
8	4XL-14146-00	.PLATE	2	2	2	2	
9	4MX-14948-06	.JET, SLOW (#48)	1	1	1	1	STD
	4SR-14948-02	.JET, SLOW (#38)	1	1	1	1	AP
	4SR-14948-03	.JET, SLOW (#40)	1	1	1	1	AP
	4MX-14948-04	.JET, SLOW (#42)	1	1	1	1	AP
	4MX-14948-05	.JET, SLOW (#45)	1	1	1	1	AP
	4MX-14948-07	.JET, SLOW (#50)	1	1	1	1	AP
	4MX-14948-08	.JET, SLOW (#52)	1	1	1	1	AP
	4MX-14948-09	.JET, SLOW (#55)	1	1	1	1	AP
10	4XL-14916-VF	.NEEDLE (N3VF)	1	1	1	1	STD
	4XL-14916-DE	.NEEDLE (N4DE)	1	1	1	1	AP
	4XL-14916-DF	.NEEDLE (N4DF)	1	1	1	1	AP
	4XL-14916-DG	.NEEDLE (N4DG)	1	1	1	1	AP
	4XL-14916-DH	.NEEDLE (N4DH)	1	1	1	1	AP
	4XL-14916-VE	.NEEDLE (N3VE)	1	1	1	1	AP
	4XL-14916-VG	.NEEDLE (N3VG)	1	1	1	1	AP
	4XL-14916-VH	.NEEDLE (N3VH)	1	1	1	1	AP
	4XL-14916-AE	.NEEDLE (N4AE)	1	1	1	1	AP
	4XL-14916-AF	.NEEDLE (N4AF)	1	1	1	1	AP
	4XL-14916-AG	.NEEDLE (N4AG)	1	1	1	1	AP

FIG. 7 CARBURETOR

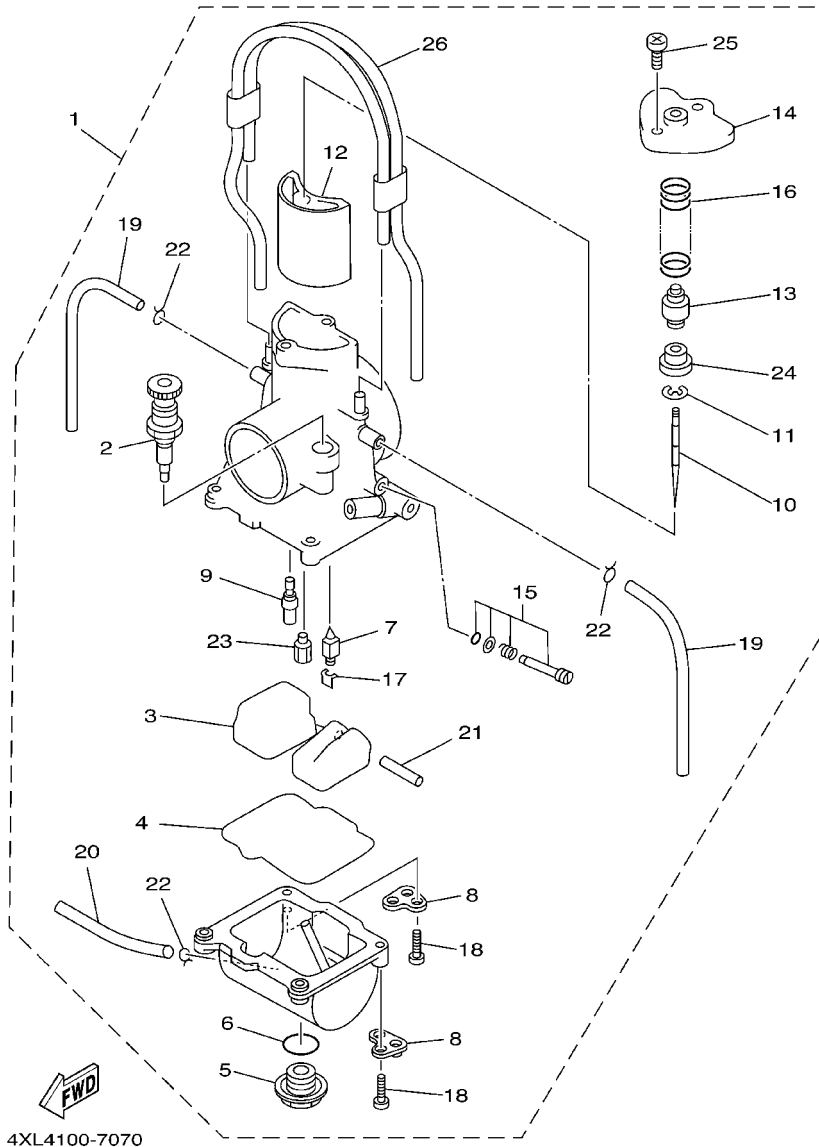


4XL4100-7070

REF. NO.	PART NO.	DESCRIPTION	CAN	OOE	EUR	JPN	REMARKS
10	4XL-14916-AH	.NEEDLE (N4AH)	1	1	1	1	AP
	4XL-14916-ME	.NEEDLE (N6ME)	1	1	1	1	AP
	4XL-14916-MF	.NEEDLE (N6MF)	1	1	1	1	AP
	4XL-14916-MG	.NEEDLE (N6MG)	1	1	1	1	AP
	4XL-14916-MH	.NEEDLE (N6MH)	1	1	1	1	AP
11	4MX-14919-00	.CLIP	1	1	1	1	
12	5DJ-14340-A7	.VALVE ASSY	1	1	1	1	STD
	4SR-14340-A6	.VALVE ASSY	1	1	1	1	AP
13	4SR-14261-00	.HOLDER	1	1	1	1	
14	4SR-14126-00	.GASKET	1	1	1	1	
15	4SR-14105-00	.PILOT SCREW SET	1	1	1	1	
16	4MX-14131-00	.SPRING, THROTTLE VALVE	1	1	1	1	
17	663-14159-00	.CLIP	1	1	1	1	
18	98502-04014	.SCREW, PAN HEAD	4	4	4	4	
19	4XL-14197-10	.PIPE	2	2	2	2	
20	4XL-14196-10	.PIPE	1	1	1	1	
21	676-14548-00	.PIN, FLOAT ARM	1	1	1	1	
22	3TJ-14137-40	.CLIP	5	5	5	5	
23	4MX-14943-92	.JET, MAIN (#172)	1	1	1	1	STD
	4SR-14943-90	.JET, MAIN (#162)	1	1	1	1	AP
	4MX-14943-40	.JET, MAIN (#165)	1	1	1	1	AP
	4MX-14943-91	.JET, MAIN (#168)	1	1	1	1	AP
	4MX-14943-41	.JET, MAIN (#170)	1	1	1	1	AP
	4MX-14943-42	.JET, MAIN (#175)	1	1	1	1	AP
	4MX-14943-93	.JET, MAIN (#178)	1	1	1	1	AP
	4MX-14943-43	.JET, MAIN (#180)	1	1	1	1	AP
	4MX-14943-94	.JET, MAIN (#182)	1	1	1	1	AP

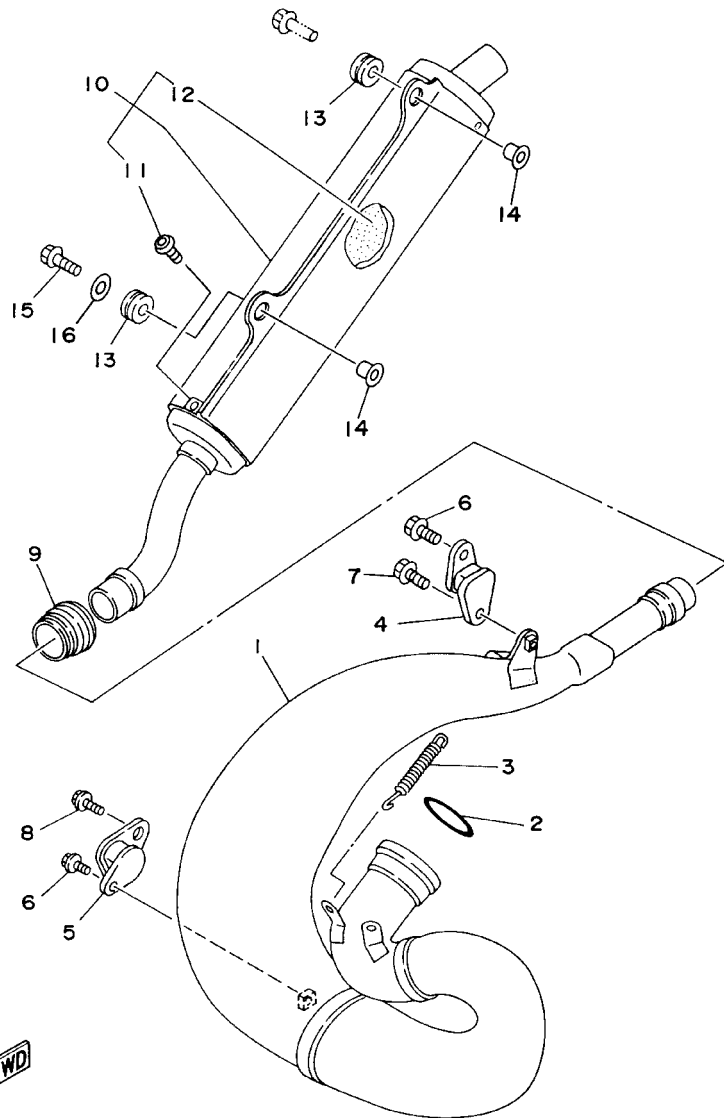
FIG. 7 CARBURETOR

REF. NO.	PART NO.	DESCRIPTION	CAN	OC	EUR	JPN	REMARKS
23	4MX-14943-44	.JET, MAIN (#185)	1	1	1	1	AP
	4MX-14943-95	.JET, MAIN (#188)	1	1	1	1	AP
	4MX-14943-45	.JET, MAIN (#190)	1	1	1	1	AP
24	4MX-14194-00	.RING	1	1	1	1	
25	98502-04012	.SCREW, PAN HEAD	2	2	2	2	
26	4XL-1410E-00	.HOSE	1	1	1	1	



4XL4100-7070

FIG. 8 EXHAUST

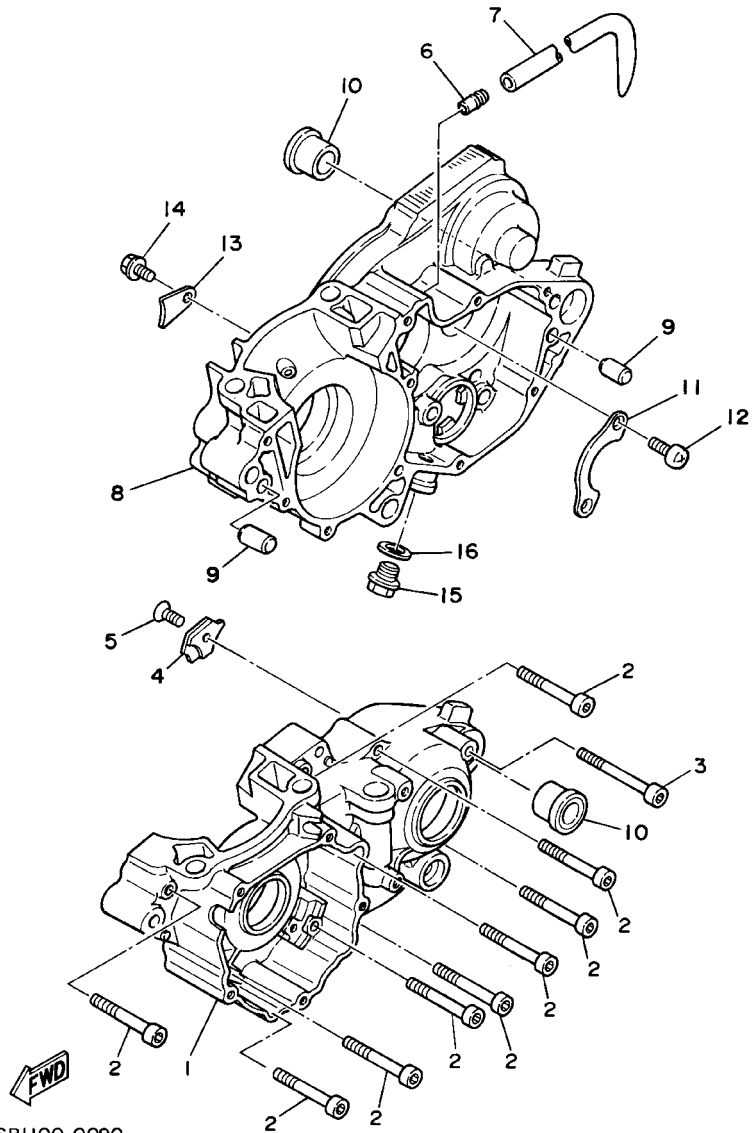


4SR1100-6080

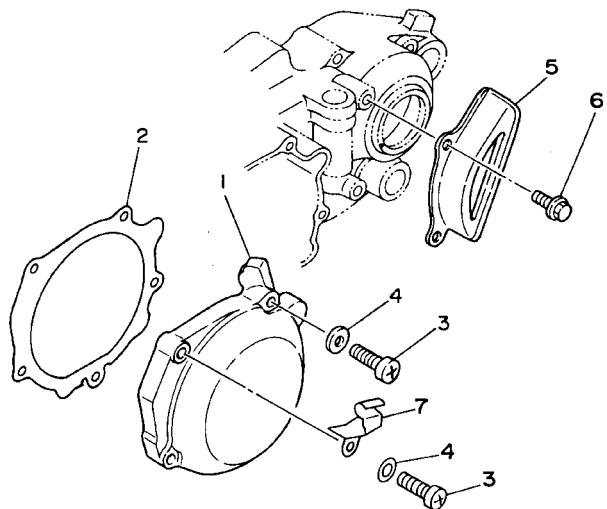
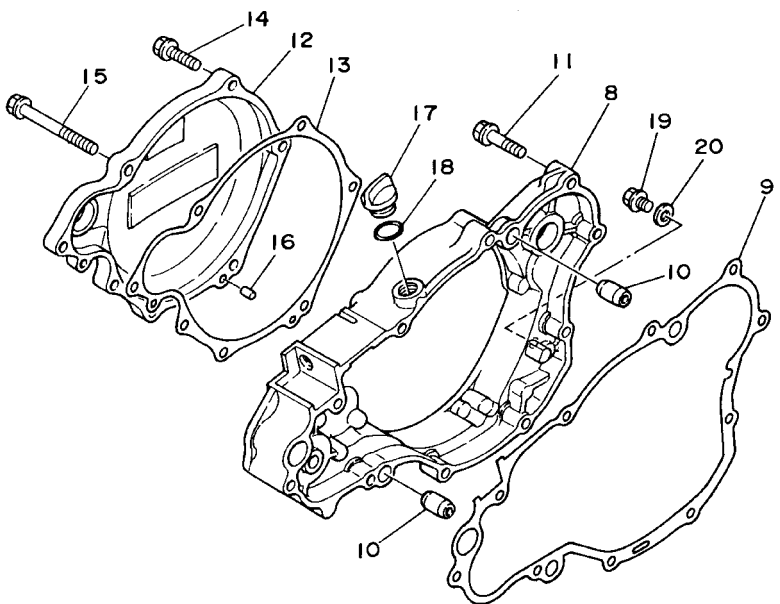
REF. NO.	PART NO.	DESCRIPTION	CAN	OC	EUR	JPN	REMARKS
1	4XL-14610-10	EXHAUST PIPE ASSY 1	1	1	1	1	
2	93210-472A9	O-RING	1	1	1	1	
3	90507-20052	SPRING, TENSION	3	3	3	3	
4	565-14771-00	STAY, MUFFLER 1	1	1	1	1	
5	483-14781-02	STAY, MUFFLER 2	1	1	1	1	
6	95027-06012	BOLT, FLANGE	2	2	2	2	
7	90119-06185	BOLT, WITH WASHER	1	1	1	1	
8	95027-08012	BOLT, FLANGE	1	1	1	1	
9	3JE-14615-01	JOINT, EXHAUST 1	1	1	1	1	
10	5DJ-14753-00	SILENCER, EXHAUST	1	1	1	1	
11	92017-06010	BOLT, BUTTON HEAD	2	2	2	2	
12	5DJ-1469A-00	FIBER	1	1	1	1	
13	90480-16561	GROMMET	2	2	2	2	
14	90387-063G3	COLLAR	2	2	2	2	
15	95027-06025	BOLT, FLANGE	1	1	1	1	
16	90201-06071	WASHER, PLATE	1	1	1	1	

FIG. 9 CRANKCASE

REF. NO.	PART NO.	DESCRIPTION	CAN	OC	EUR	JPN	REMARKS
1	4XL-15111-00	CRANKCASE 1	1	1	1	1	
2	91317-06050	BOLT	9	9	9	9	
3	91317-06070	BOLT	1	1	1	1	
4	3SP-15381-00	PLATE, BEARING COVER	1	1	1	1	
5	90151-06037	SCREW, COUNTERSUNK	1	1	1	1	
6	353-13115-01	CONNECTOR, SUCTION PIPE	1	1	1	1	
7	90445-08605	HOSE	1	1	1	1	
8	4XL-15121-00	CRANKCASE 2	1	1	1	1	
9	93612-16254	PIN, DOWEL	2	2	2	2	
10	90387-1712Y	COLLAR	2	2	2	2	
11	4L0-17471-00	PLATE, COVER	1	1	1	1	
12	90157-06077	SCREW, PAN HEAD	2	2	2	2	
13	4V4-15118-00	HOLDER	1	1	1	1	
14	90105-06556	BOLT, WASHER BASED	1	1	1	1	
15	90340-12059	PLUG, STRAIGHT SCREW	1	1	1	1	
16	90430-12227	GASKET	1	1	1	1	



3SPI100-0090



4SR1100-6100

FIG. 10 CRANKCASE COVER 1

REF. NO.	PART NO.	DESCRIPTION	CAN	OC	EUR	JPN	REMARKS
1	2VM-15411-00	COVER, CRANKCASE 1	1	1	1	1	
2	2VM-15451-11	GASKET, CRANKCASE COVER 1	1	1	1	1	
3	98507-06030	SCREW, PAN HEAD	5	5	5	5	
4	92907-06600	WASHER, PLATE	5	5	5	5	
5	2VM-15421-02	COVER, CRANKCASE 2	1	1	1	1	
6	95027-06012	BOLT, FLANGE	2	2	2	2	
7	4SR-15441-00	HOLDER, CLUTCH CABLE	1	1	1	1	
* 8	3SP-Y1543-10	COVER, CRANKCASE 3	1	1	1	1	
9	2VM-15462-11	GASKET, CRANKCASE COVER 3	1	1	1	1	
10	99530-12016	PIN, DOWEL	2	2	2	2	
11	95027-06030	BOLT, FLANGE	7	7	7	7	
12	4EW-15415-00	COVER, GENERATOR	1	1	1	1	
13	3SP-15463-11	GASKET, CARBURETOR COVER 2	1	1	1	1	
14	95027-06025	BOLT, FLANGE	5	5	5	5	
15	95027-06070	BOLT, FLANGE	2	2	2	2	
16	93604-10011	PIN, DOWEL	2	2	2	2	
17	1G8-15362-00	PLUG, OIL LEVEL	1	1	1	1	
18	93210-14104	O-RING	1	1	1	1	
19	95027-06008	BOLT, FLANGE	1	1	1	1	
20	90430-06014	GASKET	1	1	1	1	

FIG. 11 STARTER

REF. NO.	PART NO.	DESCRIPTION	CAN	OC	EUR	JPN	REMARKS
1	4JW-15660-00	KICK AXLE ASSY	1	1	1	1	
2	3R4-15641-00	GEAR, KICK (26T)	1	1	1	1	
3	90468-26048	CLIP	1	1	1	1	
4	90201-20358	WASHER, PLATE	1	1	1	1	
5	90508-30743	SPRING, TORSION	1	1	1	1	
6	2VM-15664-00	GUIDE, SPRING	1	1	1	1	
7	38V-15651-00	GEAR, KICK IDLE (23T)	1	1	1	1	
8	90201-17545	WASHER, PLATE	2	2	2	2	
9	99009-17400	CIRCLIP	1	1	1	1	
10	93102-20309	OIL SEAL	1	1	1	1	
11	4JW-15620-00	KICK CRANK ASSY	1	1	1	1	
12	3SP-15621-02	.BOSS, KICK CRANK	1	1	1	1	
13	93501-04011	.BALL	1	1	1	1	
14	90501-13720	.SPRING, COMPRESSION	1	1	1	1	
15	93210-19216	.O-RING	1	1	1	1	
16	90157-06048	.SCREW, PAN HEAD	1	1	1	1	
17	95027-08020	BOLT, FLANGE	1	1	1	1	
18	90201-087A9	WASHER, PLATE	1	1	1	1	

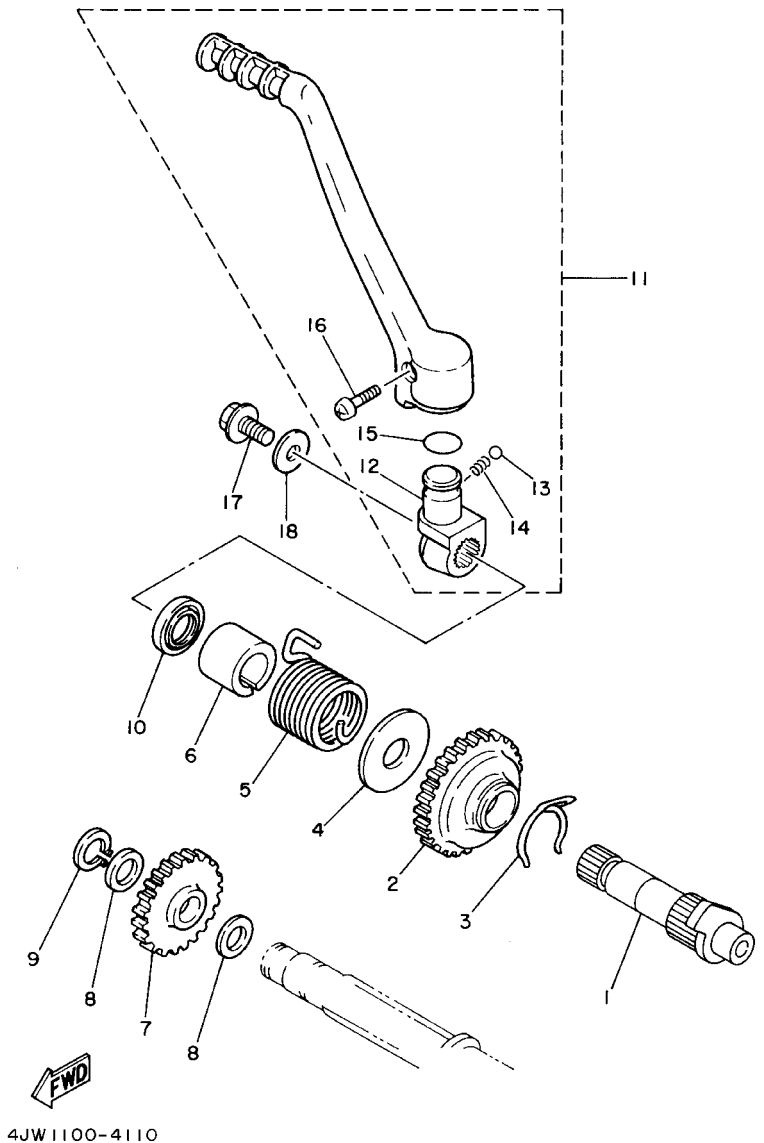
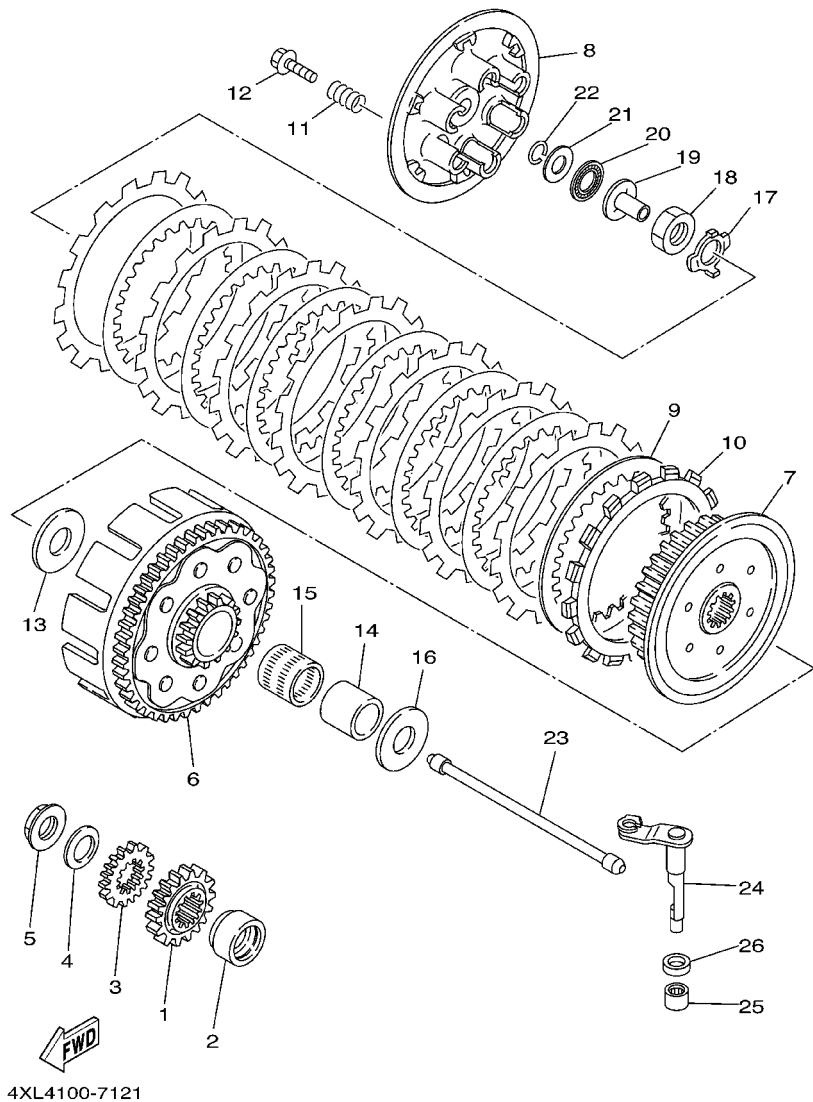
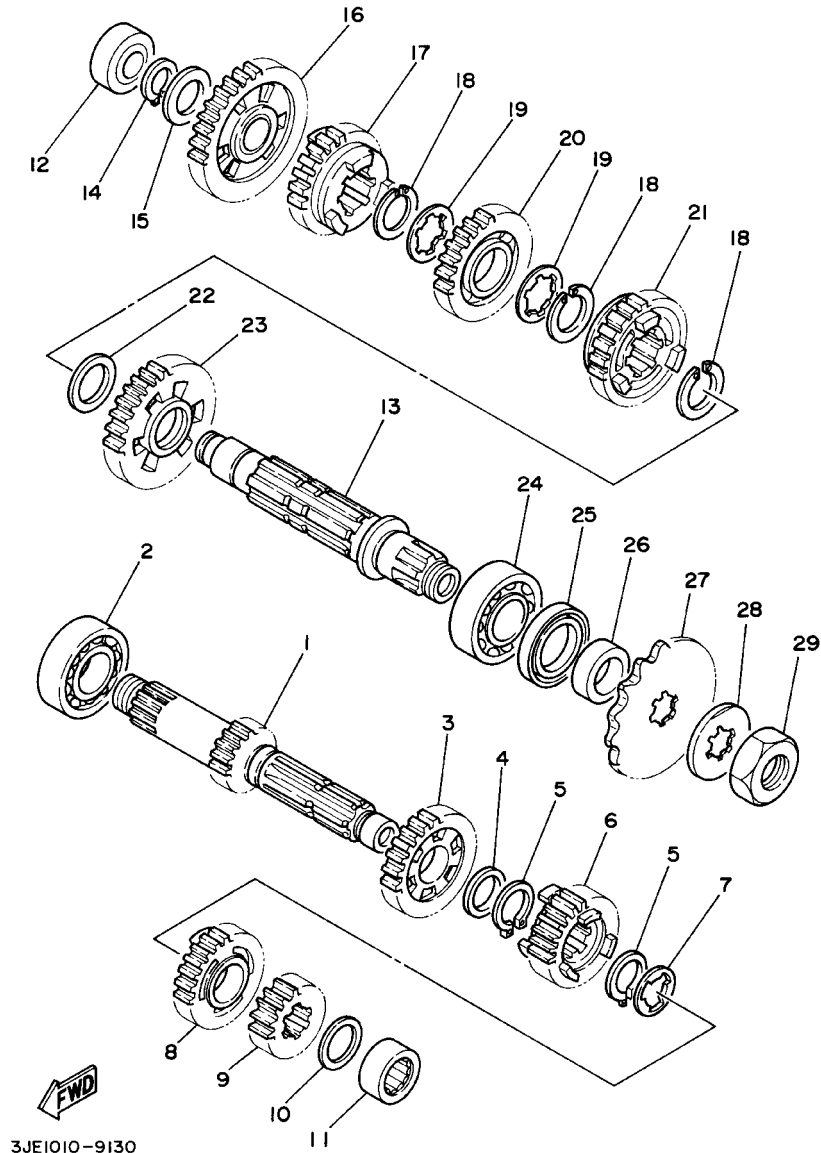


FIG. 12 CLUTCH



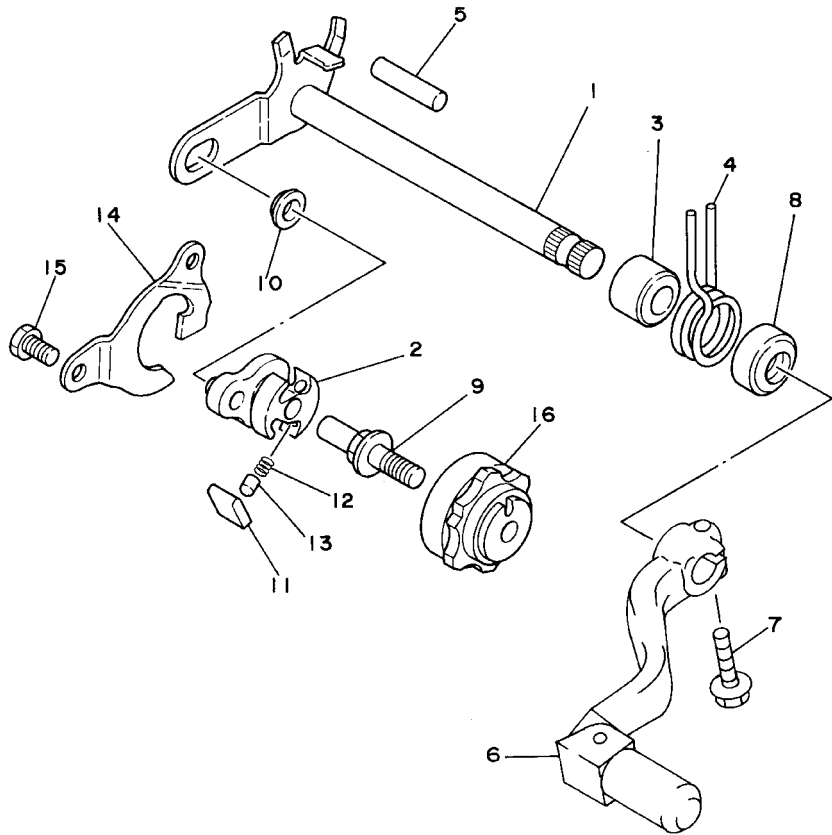
REF. NO.	PART NO.	DESCRIPTION	CAN	OC	EUR	JPN	REMARKS
			1	1	1	1	
1	5DJ-16111-00	GEAR, PRIMARY DRIVE	1	1	1	1	
2	90387-2513A	COLLAR	1	1	1	1	
3	3XK-11956-00	GEAR, GOVERNOR DRIVE	1	1	1	1	
4	90208-18025	WASHER, CONICAL SPRING	1	1	1	1	
5	90179-18172	NUT	1	1	1	1	
6	5DJ-16150-00	PRIMARY DRIVEN GEAR COMP.	1	1	1	1	
7	4EW-16371-01	BOSS, CLUTCH	1	1	1	1	
8	4EW-16351-01	PLATE, PRESSURE 1	1	1	1	1	
9	4X7-16325-00	PLATE, CLUTCH 2	7	7	7	7	
10	3XK-16321-00	PLATE, FRICTION	8	8	8	8	
11	90501-23598	SPRING, COMPRESSION	6	6	6	6	
12	90159-06016	SCREW, WITH WASHER	6	6	6	6	
13	2K7-16154-00	PLATE, THRUST 1	1	1	1	1	
14	2VM-16181-00	SPACER 1	1	1	1	1	
15	93310-230T7	BEARING	1	1	1	1	
16	3SP-16154-00	PLATE, THRUST 1	1	1	1	1	
17	90215-20231	WASHER, LOCK	1	1	1	1	
18	90170-20255	NUT	1	1	1	1	
19	4XL-16356-00	ROD, PUSH 1	1	1	1	1	
20	93340-21505	BEARING	1	1	1	1	
21	90201-125L6	WASHER, PLATE	1	1	1	1	
22	93440-10085	CIRCLIP	1	1	1	1	
23	4EW-16357-00	ROD, PUSH 2	1	1	1	1	
24	4EW-16381-01	PUSH LEVER COMP.	1	1	1	1	
25	93315-11206	BEARING	1	1	1	1	
26	93102-12224	OIL SEAL	1	1	1	1	

FIG. 13 TRANSMISSION



REF. NO.	PART NO.	DESCRIPTION	CAN	OCG	EUR	JPN	REMARKS
1	4JW-17411-00	AXLE, MAIN	1	1	1	1	
2	93306-20540	BEARING	1	1	1	1	
3	3RB-17151-00	GEAR, 5TH PINION (25T)	1	1	1	1	
4	90201-22555	WASHER, PLATE	1	1	1	1	
5	93410-22039	CIRCLIP	2	2	2	2	
6	3RB-17131-00	GEAR, 3RD PINION	1	1	1	1	
7	90209-18135	WASHER	1	1	1	1	
8	3RB-17141-10	GEAR, 4TH PINION	1	1	1	1	
9	2VM-17121-01	GEAR, 2ND PINION	1	1	1	1	
10	90209-17311	WASHER	1	1	1	1	
11	93311-41734	BEARING	1	1	1	1	
12	93311-62035	BEARING	1	1	1	1	
13	2VM-17421-01	AXLE, DRIVE	1	1	1	1	
14	93410-20038	CIRCLIP	1	1	1	1	
15	90201-20278	WASHER, PLATE	1	1	1	1	
16	3RB-17211-00	GEAR, 1ST WHEEL (32T)	1	1	1	1	
17	3RB-17251-00	GEAR, 5TH WHEEL (21T)	1	1	1	1	
18	93440-25084	CIRCLIP	3	3	3	3	
19	90209-22082	WASHER (0.5T)	2	2	2	2	
20	3RB-17231-00	GEAR, 3RD WHEEL	1	1	1	1	
21	3RB-17241-10	GEAR, 4TH WHEEL	1	1	1	1	
22	90201-253K0	WASHER, PLATE (T=1.0)	1	1	1	1	
23	2VM-17221-00	GEAR, 2ND WHEEL (29T)	1	1	1	1	
24	93306-20574	BEARING	1	1	1	1	
25	93102-32337	OIL SEAL	1	1	1	1	
26	90387-25663	COLLAR	1	1	1	1	
27	93834-14049	SPROCKET,DRIVE 14T(1W41746140)	1	1	1	1	STD

FIG. 15 SHIFT SHAFT



REF. NO.	PART NO.	DESCRIPTION	CAN	OC	EUR	JPN	REMARKS
1	3XK-18101-02	SHIFT SHAFT ASSY	1	1	1	1	
2	3XK-18122-00	LEVER, SHIFT 2	1	1	1	1	
3	90560-12280	SPACER	1	1	1	1	
4	90508-291A8	SPRING, TORSION	1	1	1	1	
5	93608-33046	PIN, DOWEL	1	1	1	1	
6	4SS-18110-00	SHIFT PEDAL ASSY	1	1	1	1	
7	95027-06020	BOLT, FLANGE	1	1	1	1	
8	93101-12004	OIL SEAL	1	1	1	1	
9	3XJ-18173-00	PIN, SHIFT	1	1	1	1	
10	3XJ-18178-00	ROLLER, SHIFT LEVER	1	1	1	1	
11	3XJ-18182-00	PAWL, SHIFTER	2	2	2	2	
12	90501-052G5	SPRING, COMPRESSION	2	2	2	2	
13	3XJ-18184-00	PIN, PAWL	2	2	2	2	
14	4DA-18172-00	GUIDE, SHIFT	1	1	1	1	
15	90101-06664	BOLT	2	2	2	2	
16	4EW-18185-00	SEGMENT	1	1	1	1	



4SR1100-6150

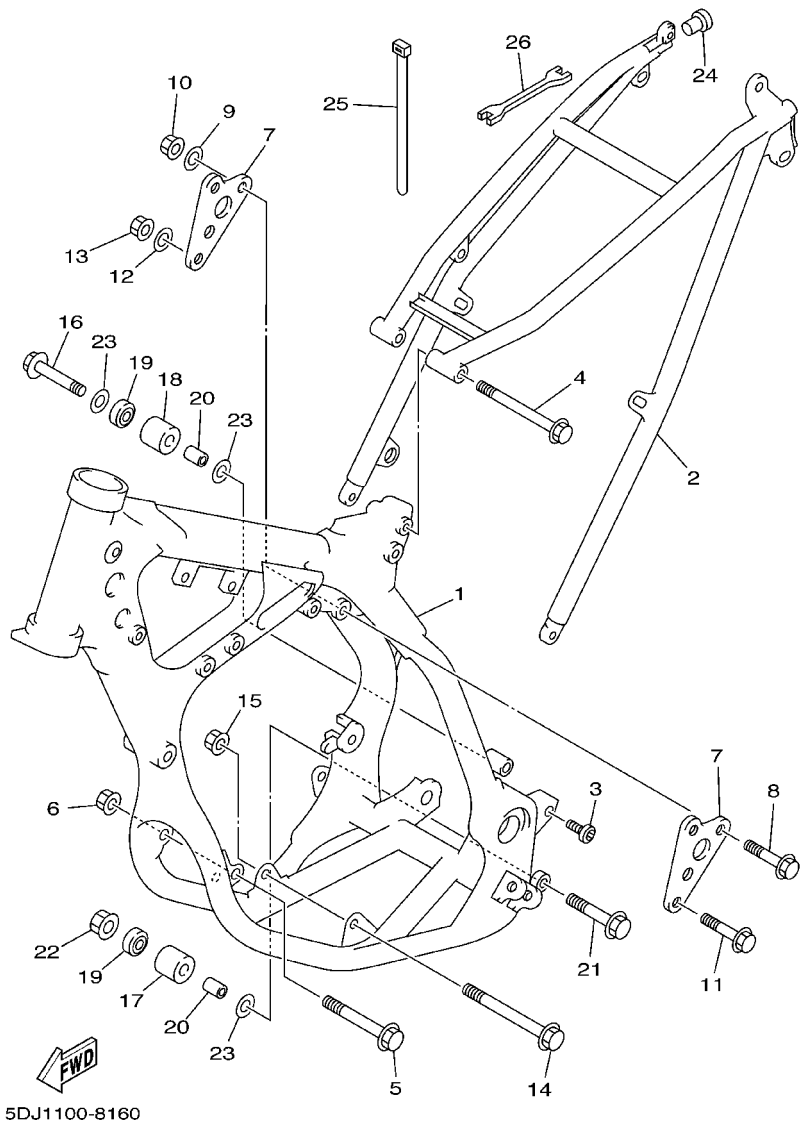
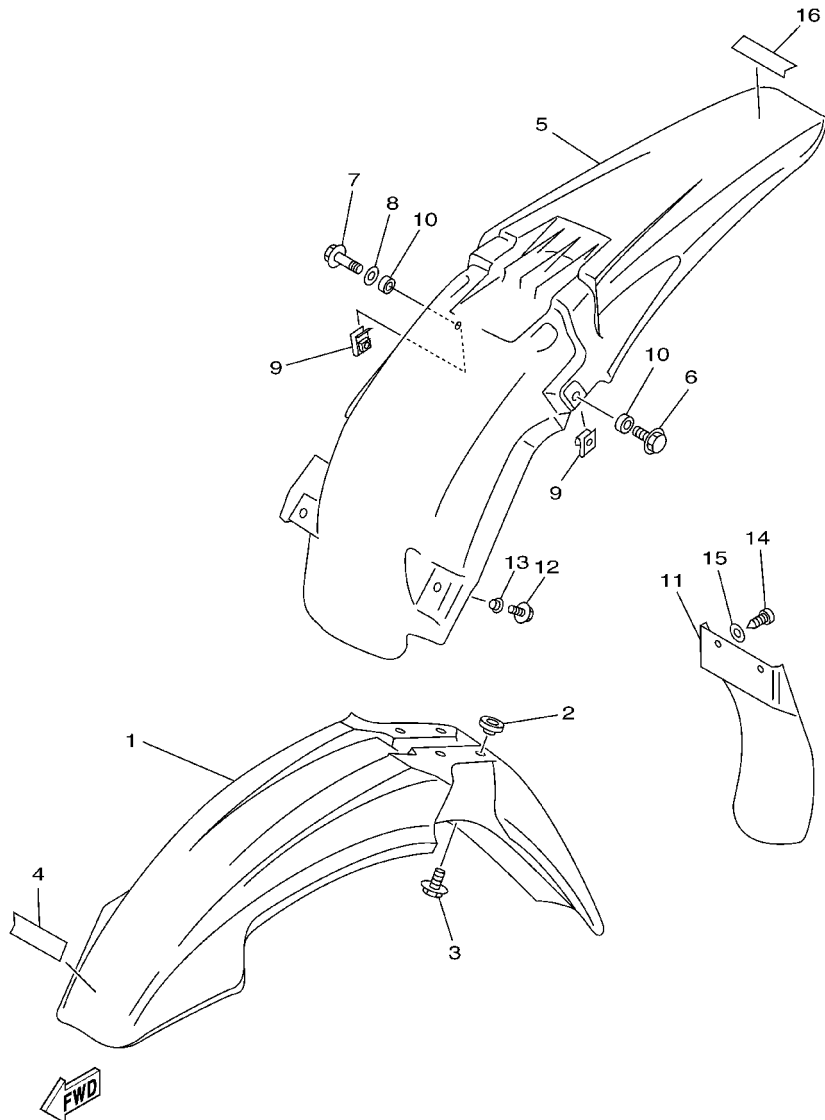


FIG. 16 FRAME

REF. NO.	PART NO.	DESCRIPTION	CAN	OOE	EUR	JPN	REMARKS
1	5EN-21101-00-P0	FRONT FRAME COMP.	1	1	1	1	DPBMC
2	5DH-21190-00-P0	REAR FRAME COMP.	1	1	1	1	DPBMC
3	90110-08096	BOLT, HEXAGON SOCKET HEAD	2	2	2	2	
4	90105-08099	BOLT, WASHER BASED	1	1	1	1	
5	95817-10100	BOLT, FLANGE	1	1	1	1	
6	95617-10200	NUT, SELF-LOCKING	1	1	1	1	
7	5DJ-21425-00	BRACKET, REAR UPPER 1	2	2	2	2	
8	90105-08494	BOLT, WASHER BASED	2	2	2	2	
9	90201-08730	WASHER, PLATE	2	2	2	2	
10	95607-08200	NUT, SELF-LOCKING	2	2	2	2	
11	95817-10055	BOLT, FLANGE	1	1	1	1	
12	92907-10200	WASHER, PLAIN	1	1	1	1	
13	95617-10200	NUT, SELF-LOCKING	1	1	1	1	
14	90105-10733	BOLT, WASHER BASED	1	1	1	1	
15	95617-10200	NUT, SELF-LOCKING	1	1	1	1	
16	95027-08040	BOLT, FLANGE	1	1	1	1	
17	3JD-22178-10	TENSIONER	1	1	1	1	
18	4EW-22178-00	TENSIONER	1	1	1	1	
19	93300-60804	BEARING	2	2	2	2	
20	90387-086N4	COLLAR	2	2	2	2	
21	95027-08065	BOLT, FLANGE	1	1	1	1	
22	95707-08500	NUT, FLANGE	1	1	1	1	
23	90201-086P8	WASHER, PLATE	3	3	3	3	
24	90338-16148	PLUG	2	2	2	2	
25	90460-15126	CLAMP, HOSE	1	1	1	1	
26	56A-28166-00	WRENCH, HEXAGON	1	1	1	1	

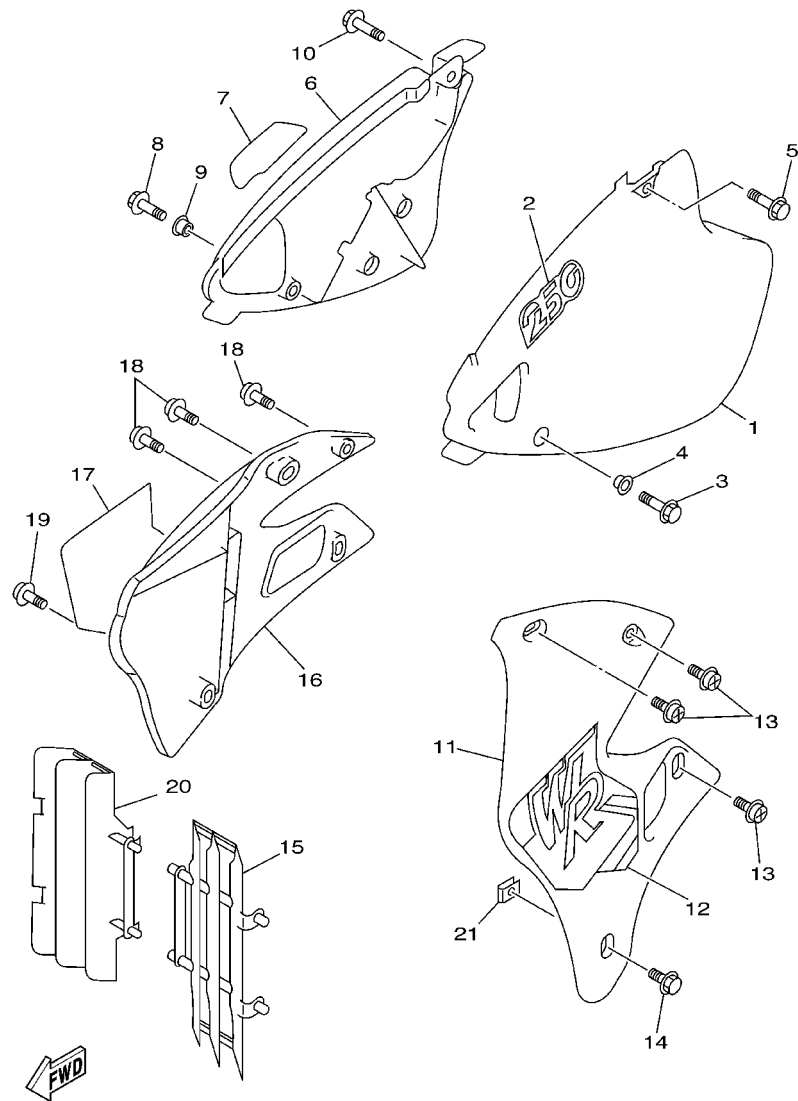
FIG. 17 FENDER



5DH1100-8170

REF. NO.	PART NO.	DESCRIPTION	CAN	OC	EUR	JPN	REMARKS
1	4DA-21511-20	FENDER, FRONT	1	1	1	1	
2	3JD-21748-00	COLLAR	4	4	4	4	
3	90119-06096	BOLT, WITH WASHER	4	4	4	4	
4	99241-00080	EMBLEM, YAMAHA	1	1	1	1	
5	5BE-21611-10	FENDER, REAR	1	1	1	1	
6	95027-06012	BOLT, FLANGE	1	1	1	1	
7	95027-06030	BOLT, FLANGE	1	1	1	1	
8	90201-06071	WASHER, PLATE	1	1	1	1	
9	90183-06023	NUT, SPRING	2	2	2	2	
10	90387-0701A	COLLAR	2	2	2	2	
11	4ES-21642-00	GUARD, FLAP	1	1	1	1	
12	95027-06020	BOLT, FLANGE	2	2	2	2	
13	90387-0600F	COLLAR	2	2	2	2	
14	97707-60016	SCREW, TAPPING	2	2	2	2	
15	90201-06557	WASHER, PLATE	2	2	2	2	
16	99241-00080	EMBLEM, YAMAHA	1	1	1	1	

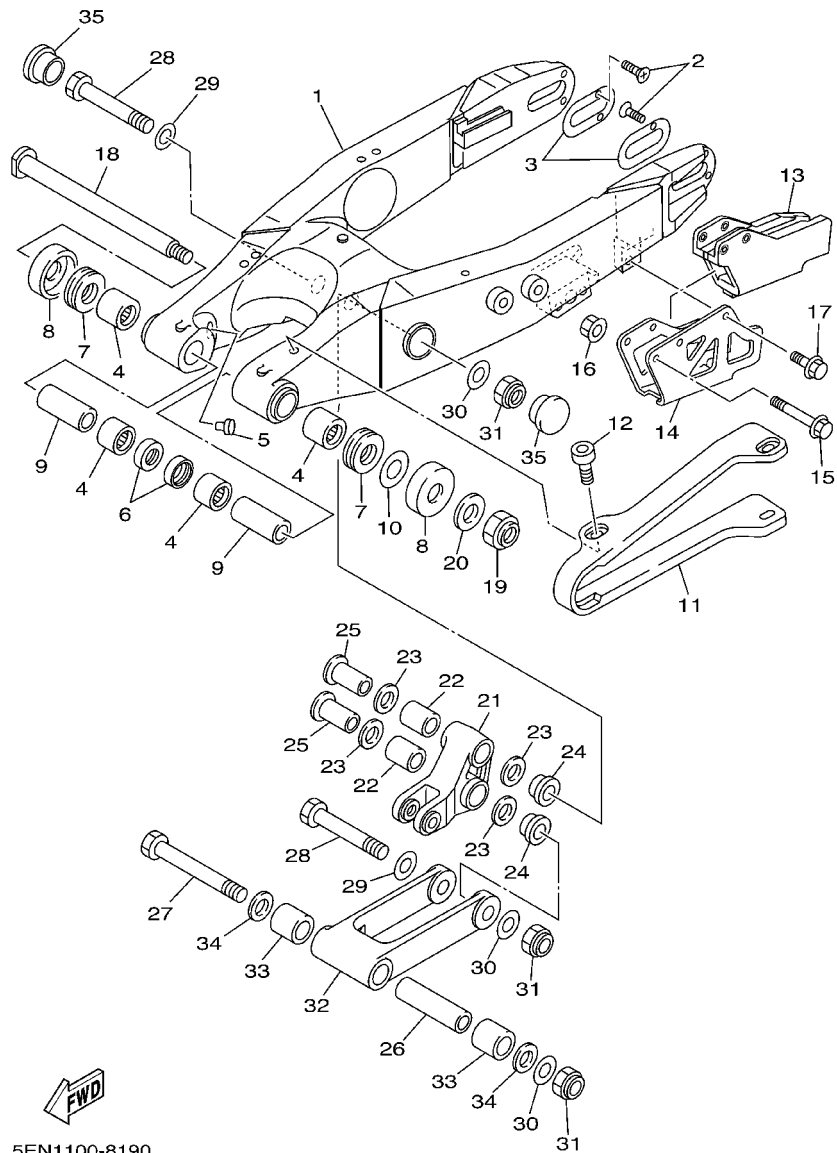
FIG. 18 SIDE COVER



5EN1100-8180

REF. NO.	PART NO.	DESCRIPTION	CAN	OC	EUR	JPN	REMARKS
1	4SS-21711-00	COVER, SIDE 1	1	1	1	1	
2	5DJ-21781-00	EMBLEM 1	1	1	1	1	
3	95827-06016	BOLT, FLANGE	1	1	1	1	
4	90387-0600F	COLLAR	1	1	1	1	
5	95827-06016	BOLT, FLANGE	1	1	1	1	
6	4SS-21721-00	COVER, SIDE 2	1	1	1	1	
7	5DJ-21781-00	EMBLEM 1	1	1	1	1	
8	95827-06016	BOLT, FLANGE	1	1	1	1	
9	90387-0600F	COLLAR	1	1	1	1	
10	95827-06016	BOLT, FLANGE	1	1	1	1	
11	4SS-21731-10	COVER, SIDE 3	1	1	1	1	
12	5EN-2173E-00	GRAPHIC 1	1	1	1	1	
13	90159-06182	SCREW, WITH WASHER	3	3	3	3	
14	90159-06078	SCREW, WITH WASHER	1	1	1	1	
15	4EW-2172A-10	PANEL 1	1	1	1	1	
16	4SS-21741-10	COVER, SIDE 4	1	1	1	1	
17	5EN-2173F-00	GRAPHIC 2	1	1	1	1	
18	90159-06182	SCREW, WITH WASHER	3	3	3	3	
19	90159-06078	SCREW, WITH WASHER	1	1	1	1	
20	4EW-2172A-10	PANEL 1	1	1	1	1	
21	90183-06069	NUT, SPRING	2	2	2	2	

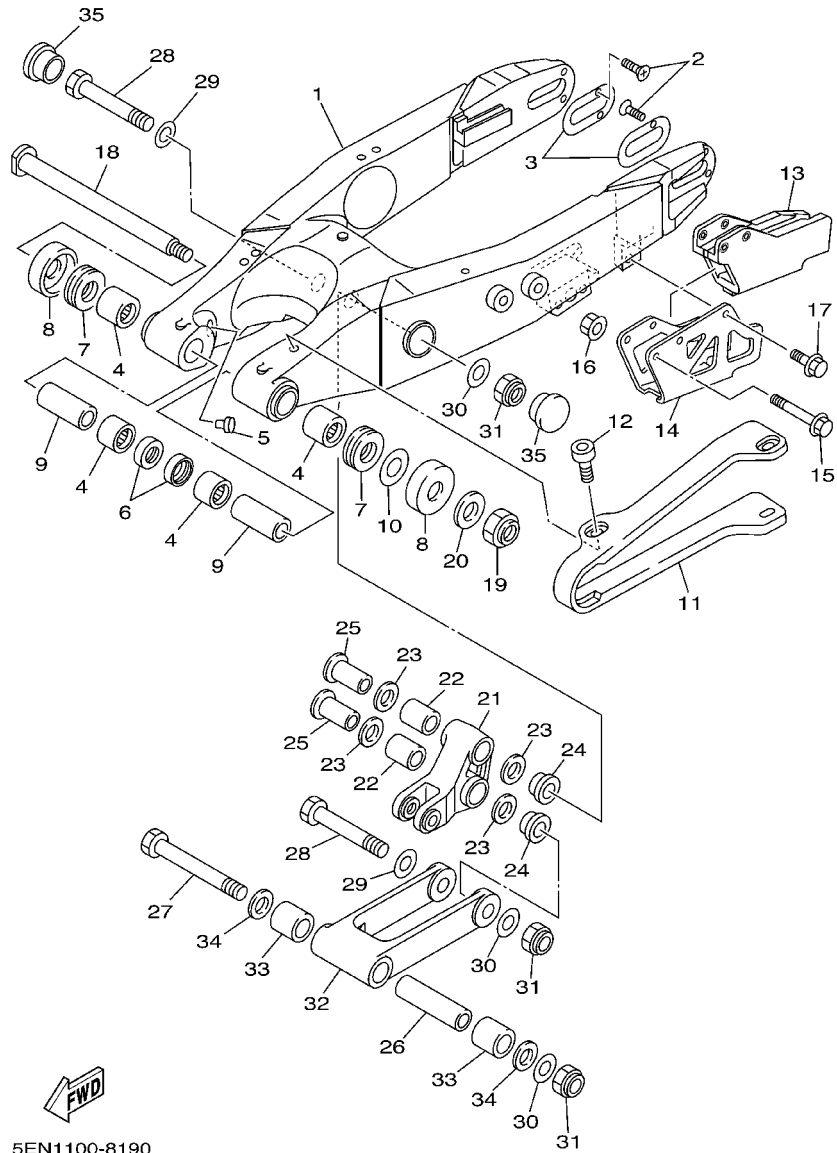
FIG. 19 REAR ARM



5EN1100-8190

REF. NO.	PART NO.	DESCRIPTION	CAN	OC	EUR	JPN	REMARKS
1	5EN-22110-00	REAR ARM COMP.	1	1	1	1	
2	90151-04048	SCREW, COUNTERSUNK	4	4	4	4	
3	4SS-22355-00	PATCH	2	2	2	2	
4	93317-22262	BEARING	4	4	4	4	
5	90338-16148	PLUG	2	2	2	2	
6	93106-22019	OIL SEAL (DC 22-28-8)	2	2	2	2	
7	93342-22215	BEARING	2	2	2	2	
8	5DH-22129-00	COVER, THRUST 2	2	2	2	2	
9	90387-1712R	COLLAR	2	2	2	2	
10	156-22127-00	SHIM (0.3T)	1	1	1	1	UN
11	4EW-22151-20	SEAL, GUARD	1	1	1	1	
12	90110-05201	BOLT, HEXAGON SOCKET HEAD	4	4	4	4	
13	4XM-22199-00	SUPPORT, CHAIN	1	1	1	1	
14	4XM-22128-00	COVER, THRUST 1	1	1	1	1	
15	95027-06050	BOLT, FLANGE	2	2	2	2	
16	90179-06568	NUT	2	2	2	2	
17	95027-06010	BOLT, FLANGE	1	1	1	1	
18	5DH-22141-00	SHAFT, PIVOT	1	1	1	1	
19	90185-16127	NUT, SELF-LOCKING	1	1	1	1	
20	90201-164H4	WASHER, PLATE	1	1	1	1	
21	5DH-2217A-00	ARM, RELAY	1	1	1	1	
22	93315-32056	BEARING	2	2	2	2	
23	93109-20029	OIL SEAL	4	4	4	4	
24	90387-164N2	COLLAR	2	2	2	2	
25	90387-164N3	COLLAR	2	2	2	2	
26	90387-167Y9	COLLAR	1	1	1	1	
27	90109-147F2	BOLT	1	1	1	1	

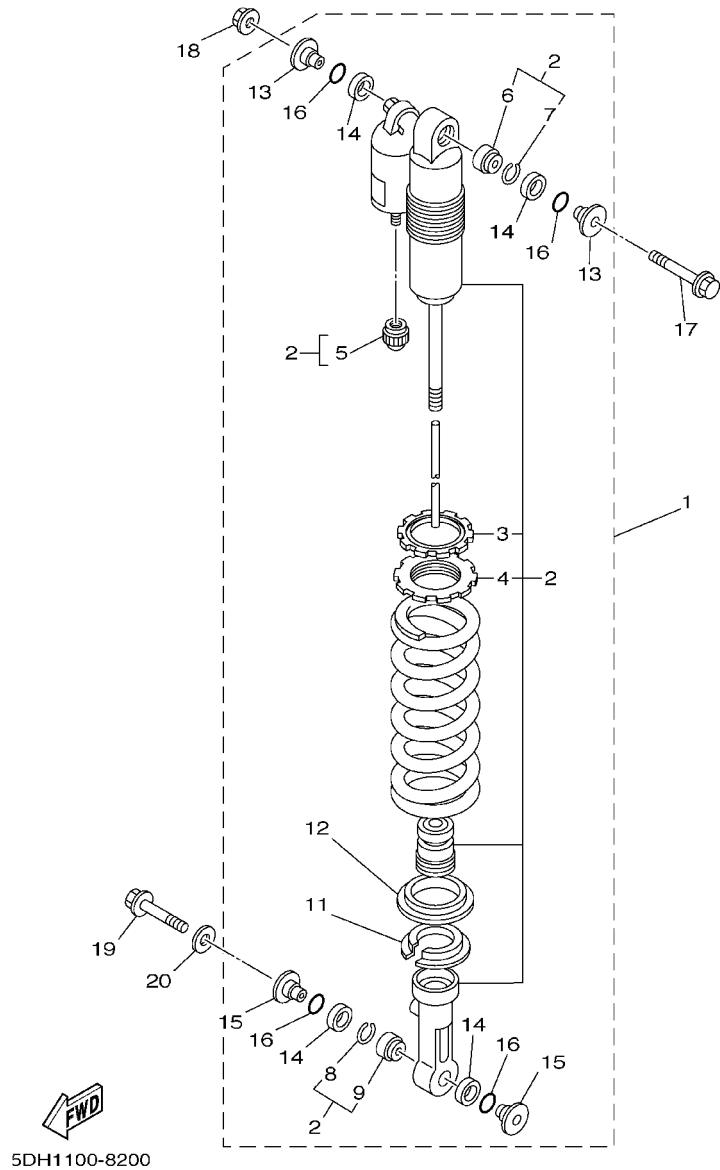
FIG. 19 REAR ARM



5EN1100-8190

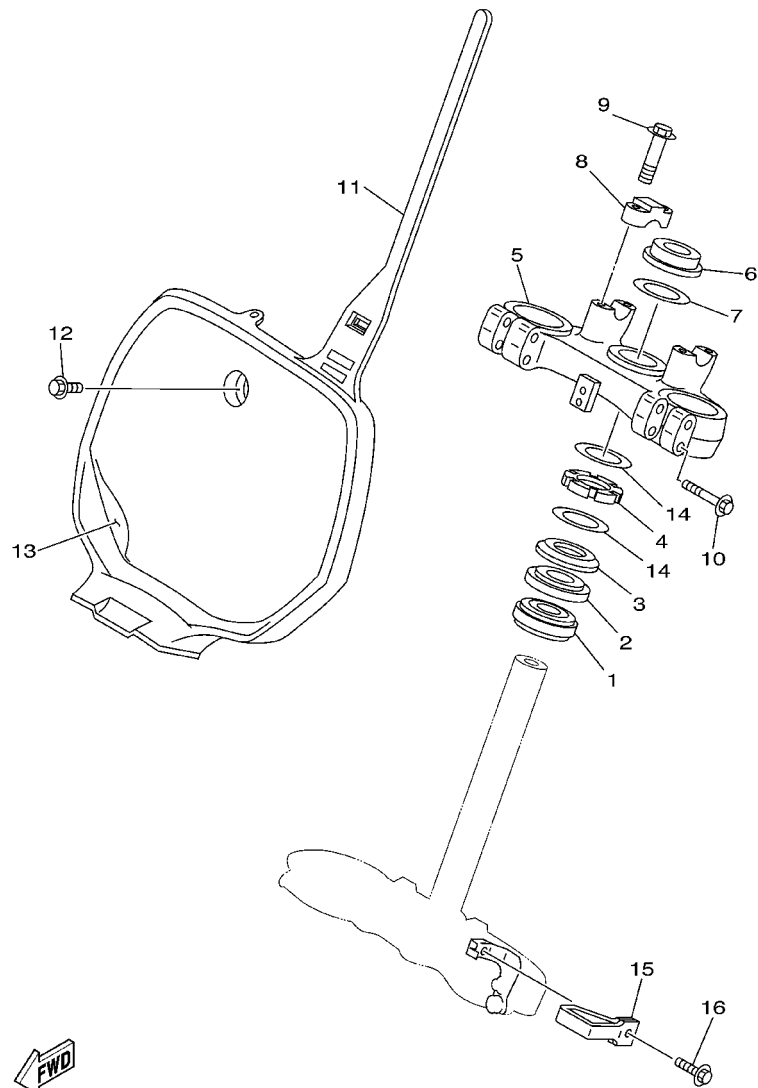
REF. NO.	PART NO.	DESCRIPTION	CAN	OCG	EUR	JPN	REMARKS
28	90109-142F4	BOLT	2	2	2	2	
29	90201-164H4	WASHER, PLATE	2	2	2	2	
30	90201-14740	WASHER, PLATE	3	3	3	3	
31	90185-14112	NUT, SELF-LOCKING	3	3	3	3	
32	5DH-2217F-00	ROD, CONNECTING 1	1	1	1	1	
33	93315-32056	BEARING	2	2	2	2	
34	93109-20029	OIL SEAL	2	2	2	2	
35	1HX-2135F-10	COVER	2	2	2	2	

FIG. 20 REAR SUSPENSION



REF. NO.	PART NO.	DESCRIPTION	CAN	OOE	EUR	JPN	REMARKS
1	5EN-22210-20	SHOCK ABSORBER ASSY, REAR	1				
	5EN-22210-00	SHOCK ABSORBER ASSY, REAR		1	1		
	5EN-22210-10	SHOCK ABSORBER ASSY, REAR				1	
2	5EN-22201-20	.DAMPER SUB ASSY	1				
	5EN-22201-00	.DAMPER SUB ASSY		1	1		
	5EN-22201-10	.DAMPER SUB ASSY				1	
3	3SP-22234-00	..GUIDE, SPRING 3	1	1	1	1	
4	3SP-22213-00	..SEAT, SPRING UPPER	1	1	1	1	
5	509-23184-L0	..CAP, AIR VALVE	1	1	1	1	
6	4JX-22226-00	..BUSH, SHOCK ABSORBER LOWER	1	1	1	1	
7	5DH-23183-00	..CIRCLIP	1	1	1	1	
8	5DH-23183-00	..CIRCLIP	1	1	1	1	
9	4JX-22226-00	..BUSH, SHOCK ABSORBER LOWER	1	1	1	1	
10	5DH-22212-10	.SPRING (K=4.6)	1	1	1	1	
11	5DH-22214-00	.GUIDE, SPRING 1	1	1	1	1	
12	5DH-22224-00	.GUIDE, SPRING 2	1	1	1	1	
13	5DH-22253-00	.COLLAR, DISTANCE	2	2	2	2	
14	3JE-22475-00	.SEAL, DUST	4	4	4	4	
15	4EW-22253-00	.COLLAR, DISTANCE	2	2	2	2	
16	4EW-22474-00	.SEAL, RING	4	4	4	4	
17	90105-10323	BOLT, WASHER BASED	1	1	1	1	
18	95617-10200	NUT, SELF-LOCKING	1	1	1	1	
19	90105-105A2	BOLT, WASHER BASED	1	1	1	1	
20	90201-112U6	WASHER, PLATE	1	1	1	1	

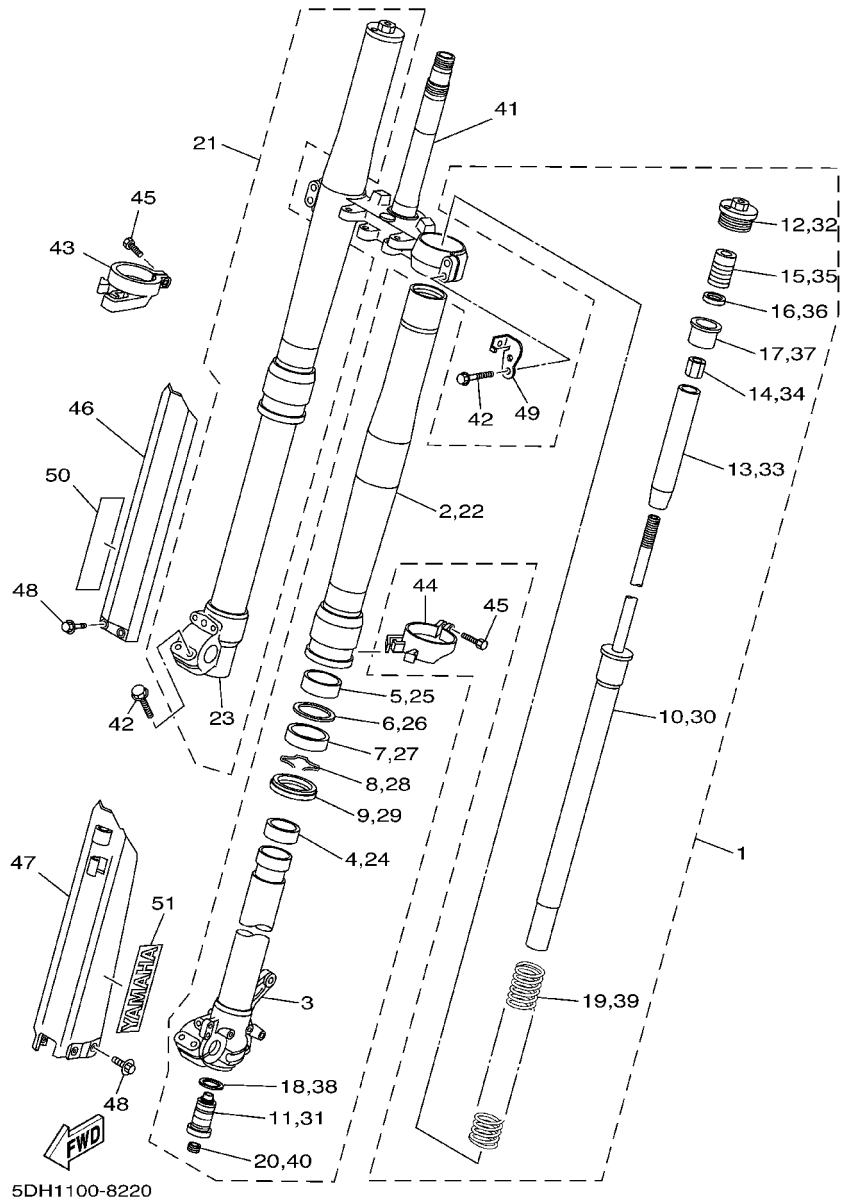
FIG. 21 STEERING



REF. NO.	PART NO.	DESCRIPTION	CAN	OCG	EUR	JPN	REMARKS
1	93332-00081	BEARING	1	1	1	1	
2	93332-00068	BEARING	1	1	1	1	
3	4EW-23416-00	COVER, BALL RACE 2	1	1	1	1	
4	90179-28650	NUT	1	1	1	1	
5	4SS-23435-00	CROWN, HANDLE	1	1	1	1	
6	90170-24373	NUT	1	1	1	1	
7	90201-247L2	WASHER, PLATE	1	1	1	1	
8	3SP-23441-00	HOLDER, HANDLE UPPER	2	2	2	2	
9	95027-08035	BOLT, FLANGE	4	4	4	4	
10	95027-08040	BOLT, FLANGE	4	4	4	4	
11	4DA-23485-20	PLATE, NUMBER	1	1	1	1	
12	90119-06185	BOLT, WITH WASHER	1	1	1	1	
13	5DH-2339E-00	GRAPHIC 1	1	1	1	1	
14	90201-286K9	WASHER, PLATE	2	2	2	2	
15	4DA-23389-00	GUIDE, CABLE	1	1	1	1	
16	90105-05361	BOLT, WASHER BASED	1	1	1	1	


5DH1100-8210

FIG. 22 FRONT FORK



REF. NO.	PART NO.	DESCRIPTION	CAN	OC	EUR	JPN	REMARKS
1	5EN-23102-00	FRONT FORK ASSY (L.H)	1	1	1	1	
2	5DH-23136-L0	.TUBE, OUTER (RIGHT)	1	1	1	1	
3	5DH-23120-L0	.INNER TUBE COMP.2	1	1	1	1	
4	4SS-23171-L0	.PISTON, FRONT FORK	1	1	1	1	
5	4SS-23125-L0	.METAL, SLIDE 1	1	1	1	1	
6	4SS-23146-L0	.WASHER, OIL SEAL	1	1	1	1	
7	5DH-23145-L0	.OIL SEAL	1	1	1	1	
8	4SS-23153-L0	.RING, SNAP	1	1	1	1	
9	4SS-23144-L0	.SEAL, DUST	1	1	1	1	
10	5EN-23170-L0	.CYLINDER COMP., FRONT FORK	1	1	1	1	
11	5EN-2316A-L0	.VALVE COMP.	1	1	1	1	
12	5DH-23111-L0	.BOLT, CAP	1	1	1	1	
13	5DH-23142-L0	.SEAT, SPRING UPPER	1	1	1	1	
14	5DH-23393-L0	.NUT, SPECIAL	1	1	1	1	
15	5DH-23195-L0	.RUBBER	1	1	1	1	
16	5DH-23149-L0	.WASHER, SPRING UPPER	1	1	1	1	
17	5DH-23118-L0	.SPACER	1	1	1	1	
18	4SS-23158-L0	.GASKET	1	1	1	1	
19	4SS-23141-L0	.SPRING, FRONT FORK (K=0.40)	1	1	1	1	
20	3JD-2312G-L0	.PLUG	1	1	1	1	
21	5EN-23103-00	FRONT FORK ASSY (R.H)	1	1	1	1	
22	5DH-23136-L0	.TUBE, OUTER (RIGHT)	1	1	1	1	
23	5DH-23110-L0	.INNER TUBE COMP.1	1	1	1	1	
24	4SS-23171-L0	.PISTON, FRONT FORK	1	1	1	1	
25	4SS-23125-L0	.METAL, SLIDE 1	1	1	1	1	
26	4SS-23146-L0	.WASHER, OIL SEAL	1	1	1	1	
27	5DH-23145-L0	.OIL SEAL	1	1	1	1	

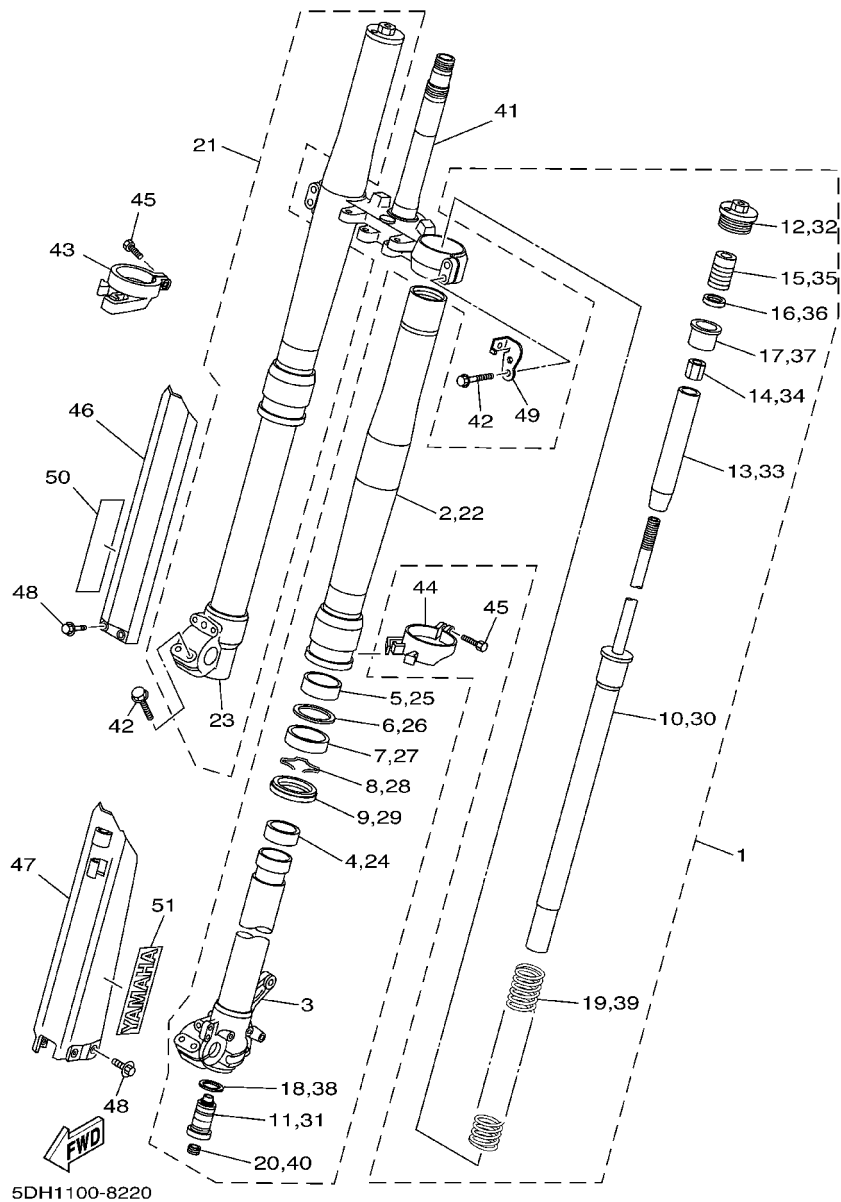
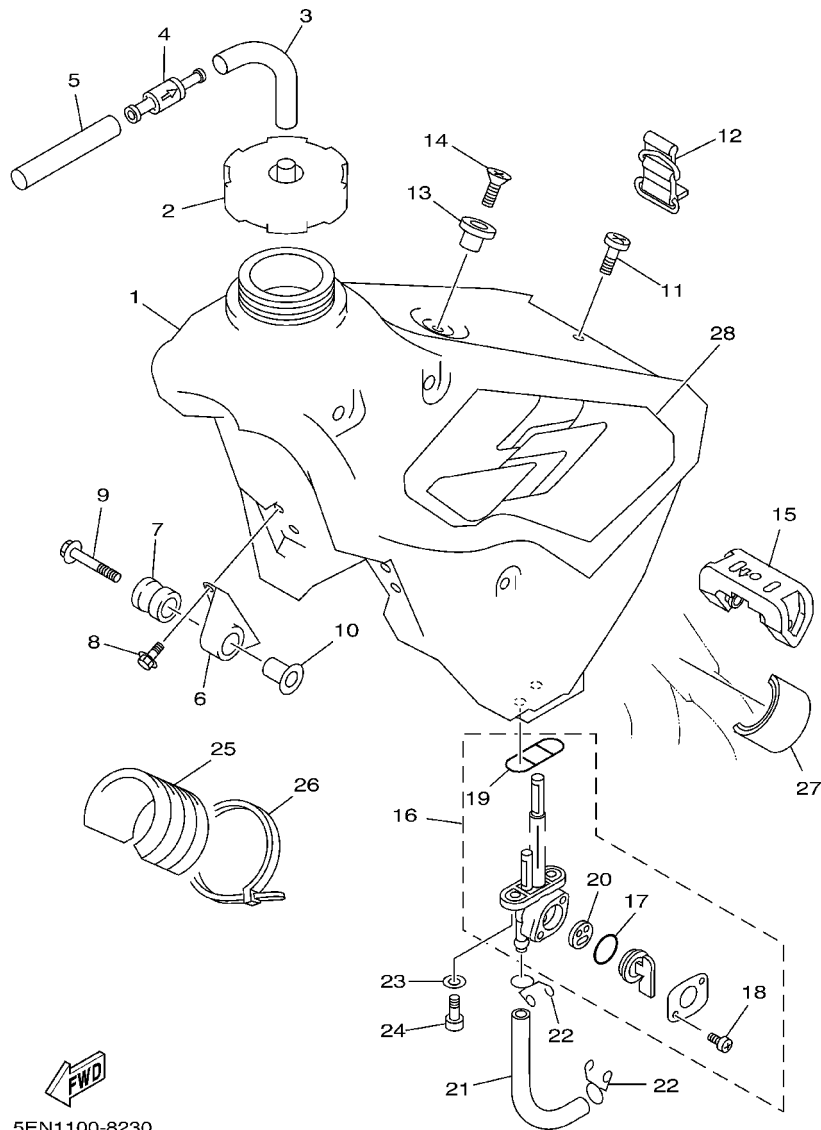


FIG. 22 FRONT FORK

REF. NO.	PART NO.	DESCRIPTION	CAN	OC	EUR	JPN	REMARKS
28	4SS-23153-L0	.RING, SNAP	1	1	1	1	
29	4SS-23144-L0	.SEAL, DUST	1	1	1	1	
30	5EN-23170-L0	.CYLINDER COMP., FRONT FORK	1	1	1	1	
31	5EN-2316A-L0	.VALVE COMP.	1	1	1	1	
32	5DH-23111-L0	.BOLT, CAP	1	1	1	1	
33	5DH-23142-L0	.SEAT, SPRING UPPER	1	1	1	1	
34	5DH-23393-L0	.NUT, SPECIAL	1	1	1	1	
35	5DH-23195-L0	.RUBBER	1	1	1	1	
36	5DH-23149-L0	.WASHER, SPRING UPPER	1	1	1	1	
37	5DH-23118-L0	.SPACER	1	1	1	1	
38	4SS-23158-L0	.GASKET	1	1	1	1	
39	4SS-23141-L0	.SPRING, FRONT FORK (K=0.40)	1	1	1	1	
40	3JD-2312G-L0	.PLUG	1	1	1	1	
41	5DJ-23340-L0	UNDER BRACKET COMP.	1	1	1	1	
42	95021-08040	BOLT, FLANGE	8	8	8	8	
43	4SS-2314G-L0	PROTECTOR GUIDE COMP., 2	1	1	1	1	
44	5DH-2314F-L0	PROTECTOR GUIDE COMP., 1	1	1	1	1	
45	4SS-23346-L0	BOLT 1	2	2	2	2	
46	5DH-2314J-00	PROTECTOR COMP., 2	1	1	1	1	
47	5DH-2314H-00	PROTECTOR COMP., 1	1	1	1	1	
48	3SP-23356-L0	BOLT 2	6	6	6	6	
49	4EW-2331E-L0	GUIDE, CABLE	1	1	1	1	
50	4XL-2153A-10	EMBLEM, YAMAHA	1	1	1	1	
51	4XL-2153A-10	EMBLEM, YAMAHA	1	1	1	1	

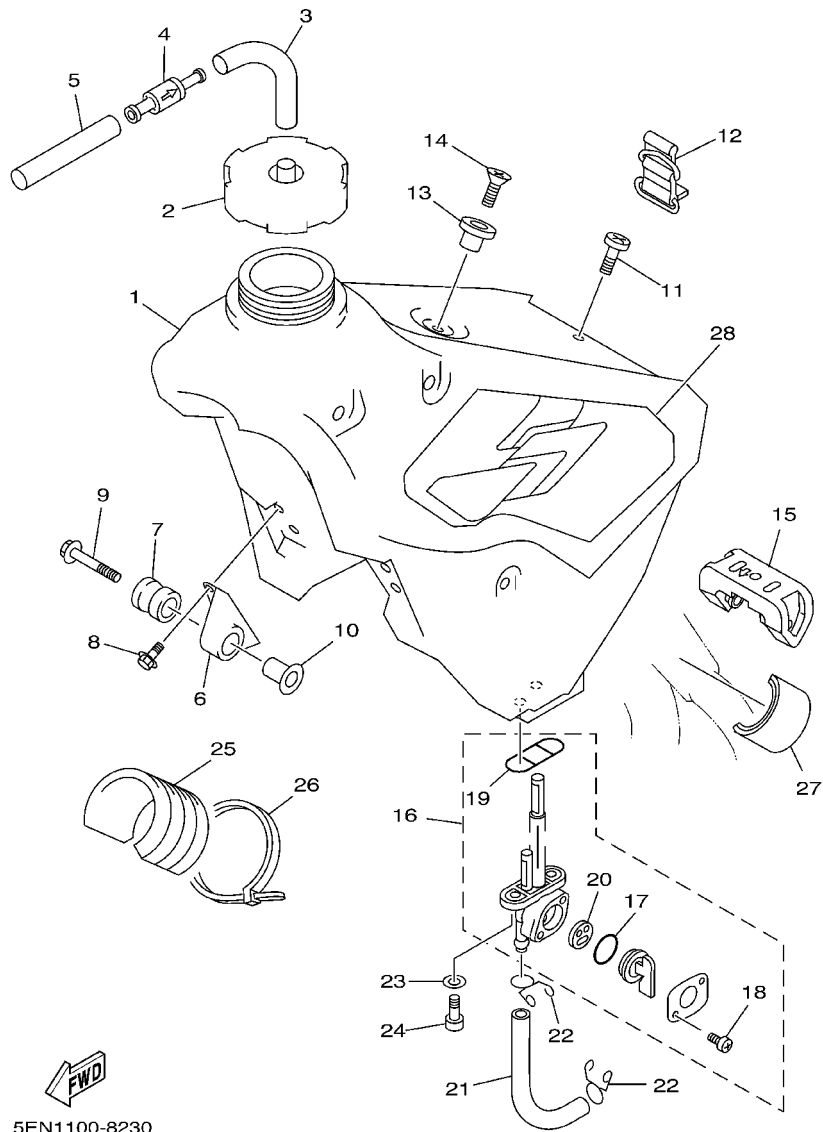
FIG. 23 FUEL TANK



5EN1100-8230

REF. NO.	PART NO.	DESCRIPTION	CAN	OC	EUR	JPN	REMARKS
1	4SS-24110-10	FUEL TANK COMP.	1	1	1	1	
2	1UY-24610-00	CAP ASSY	1	1	1	1	
3	90445-09220	HOSE	1	1	1	1	
4	3XJ-24380-00	PIPE JOINT ASSY	1	1	1	1	
5	90445-09104	HOSE	1	1	1	1	
6	24X-24144-00	HOLDER, DAMPER	2	2	2	2	
7	90480-18549	GROMMET	2	2	2	2	
8	95027-06016	BOLT, FLANGE	4	4	4	4	
9	90119-06214	BOLT, WITH WASHER	2	2	2	2	
10	3JD-24186-00	WASHER, SPECIAL	2	2	2	2	
11	98907-06020	SCREW, BIND	1	1	1	1	
12	3SP-24173-00	BAND, TANK FITTING 1	1	1	1	1	
13	4EW-2412F-00	BRACKET, SEAT	1	1	1	1	
14	98707-06025	SCREW, FLAT HEAD	1	1	1	1	
15	4SS-24181-00	DAMPER, LOCATING 1	1	1	1	1	
16	4JW-24500-00	FUEL COCK ASSY 1	1	1	1	1	
17	3AJ-24534-00	.SEAL, COCK	1	1	1	1	
18	97801-03008	.SCREW, PAN HEAD	2	2	2	2	
19	4X8-24512-00	.O-RING	1	1	1	1	
20	3AJ-24523-00	.VALVE PACKING	1	1	1	1	
21	90445-110G7	HOSE	1	1	1	1	
22	90467-10008	CLIP	2	2	2	2	
23	90202-05193	WASHER, PLATE	2	2	2	2	
24	90149-06011	SCREW	2	2	2	2	
25	4SS-24182-00	DAMPER, LOCATING 2	1	1	1	1	
26	90465-13275	CLAMP	1	1	1	1	
27	3V6-22358-00	SEAL 1	2	2	2	2	

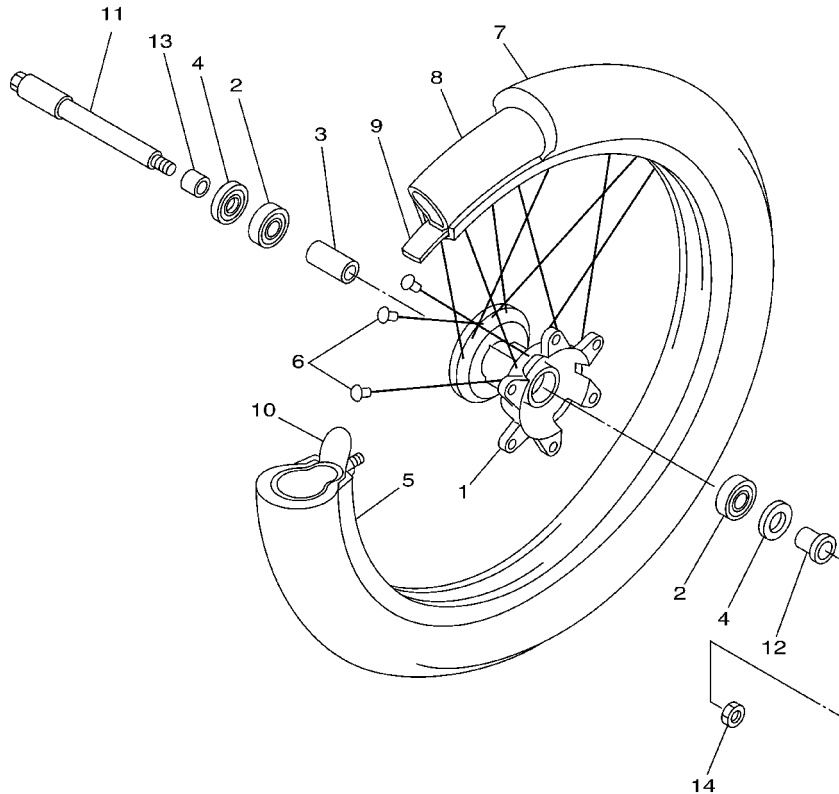
FIG. 23 FUEL TANK



5EN1100-8230

REF. NO.	PART NO.	DESCRIPTION	CAN	OC	EUR	JPN	REMARKS
28	5DH-24240-00	GRAPHIC SET	1	1	1	1	

FIG. 25 FRONT WHEEL

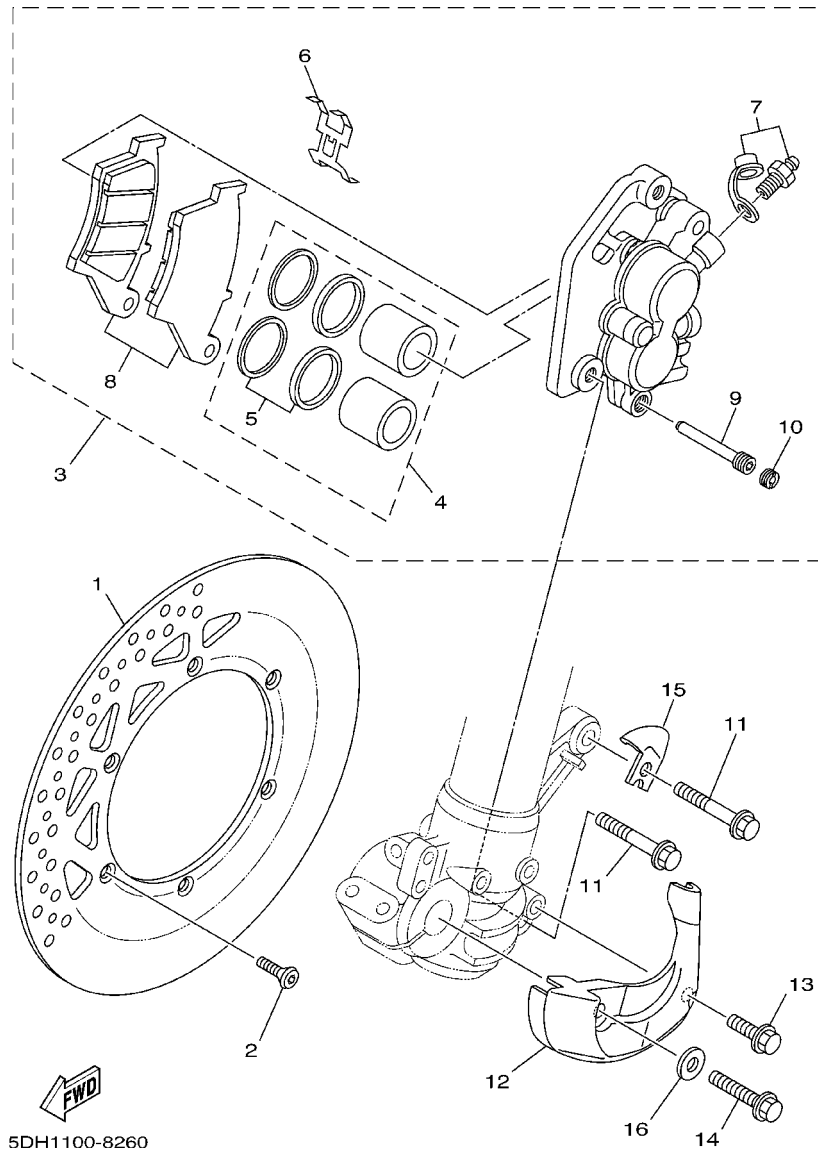


REF. NO.	PART NO.	DESCRIPTION	CAN	OC	EUR	JPN	REMARKS
1	4SS-25111-00	HUB, FRONT	1	1	1	1	
2	93306-90403	BEARING	2	2	2	2	
3	5DH-25117-00	SPACER, BEARING	1	1	1	1	
4	93102-26468	OIL SEAL	2	2	2	2	
5	94416-21509	RIM (1.60-21)	1	1	1	1	
6	4DA-25104-00	SPOKE SET, FRONT	1	1	1	1	
7	94108-217X2	TIRE (80/100-21 K490)	1				DUNLOP
	94108-217X8	TIRE (80/100-21-ED11)		1	1	1	BRIDGESTONE
	*	TIRE (90/90-21)				1	LM MICHELIN FOR FRA DUNLOP
8	94227-21101	TUBE (80/100-21 TR4 BTL)	1				
	94209-21229	TUBE (80/100C-21 TR4)		1	1	1	BRIDGESTONE
	*	TUBE (90/90-21)				1	LM MICHELIN FOR FRA DUNLOP
9	94307-21145	BAND, RIM (70-80/100-21)	1				
	94330-21084	BAND, RIM (3.00-21)		1	1	1	BRIDGESTONE
	*	BAND, RIM (2.75-21)				1	LM MICHELIN FOR FRA
10	2J5-25394-01	SPACER, BEAD	1	1	1	1	
11	4SS-25181-00	AXLE, WHEEL	1	1	1	1	
12	5DH-25183-00	COLLAR, WHEEL	1	1	1	1	
13	5DH-25186-00	COLLAR, WHEEL	1	1	1	1	
14	90179-16672	NUT	1	1	1	1	



4SS1100-6250

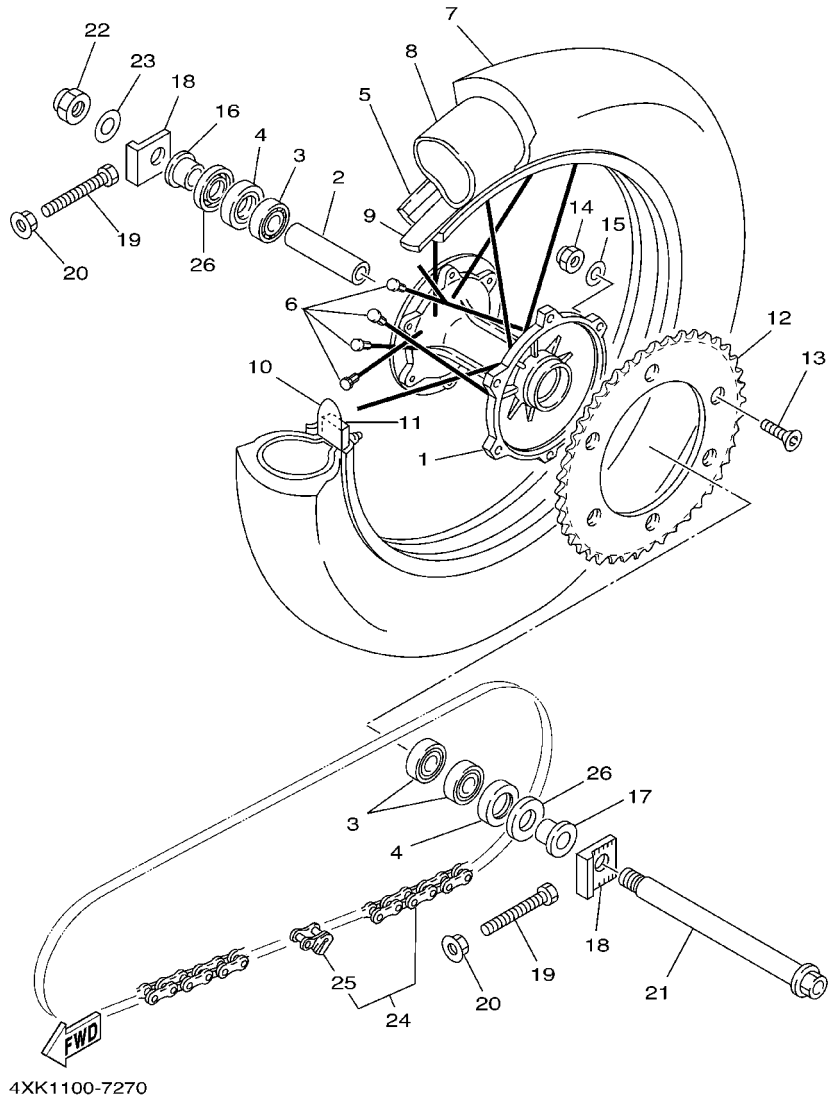
FIG. 26 FRONT BRAKE CALIPER



5DH1100-8260

REF. NO.	PART NO.	DESCRIPTION	CAN	OC	EUR	JPN	REMARKS
1	4XM-2582T-00	DISC, BRAKE	1	1	1	1	
2	90149-06272	SCREW	6	6	6	6	
3	5DH-2580T-00	CALIPER ASSY (LEFT)	1	1		1	
	5DH-2580T-10	CALIPER ASSY (LEFT)				1	
4	4EW-W0057-00	.PISTON ASSY, CALIPER	1	1	1	1	
5	3JD-W0047-00	..CALIPER SEAL KIT	1	1	1	1	
6	5DH-25919-00	.SUPPORT, PAD	1	1	1	1	
7	1UY-W0048-50	.BLEED SCREW KIT	1	1	1	1	
8	5DH-W0045-00	.BRAKE PAD KIT	1	1		1	
	5DH-W0045-10	.BRAKE PAD KIT				1	
9	5DH-25933-00	.PIN, PAD	1	1	1	1	
10	5DH-25916-00	.PLUG	1	1	1	1	
11	90105-08659	BOLT, WASHER BASED	2	2	2	2	
12	5DH-2314E-00	COVER, HOSE	1	1	1	1	
13	95827-06012	BOLT, FLANGE	1	1	1	1	
14	95027-08020	BOLT, FLANGE	1	1	1	1	
15	5DH-25875-00	HOLDER, BRAKE HOSE 1	1	1	1	1	
16	92907-08200	WASHER	1	1	1	1	

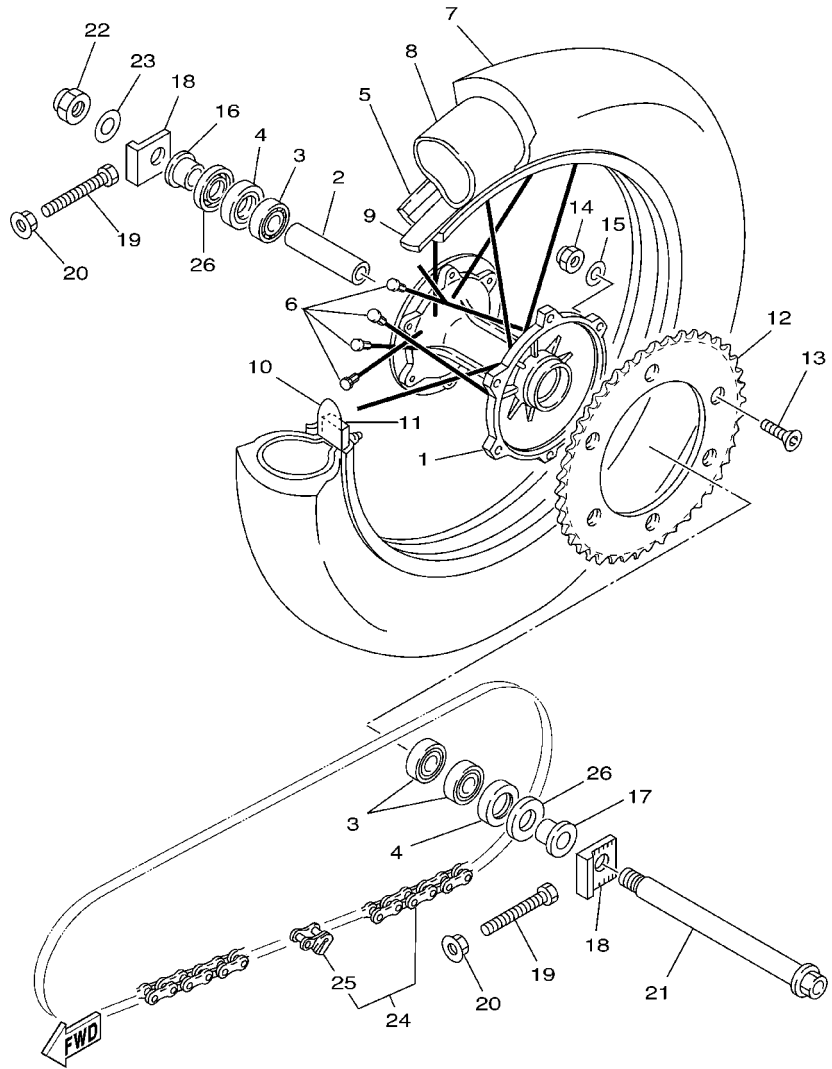
FIG. 27 REAR WHEEL



4XK1100-7270

REF. NO.	PART NO.	DESCRIPTION	CAN	OOE	EUR	JPN	REMARKS
1	4EW-25311-00	HUB, REAR	1	1	1	1	
2	4EW-25317-00	SPACER, BEARING	1	1	1	1	
3	93306-00418	BEARING	3	3	3	3	
4	93106-28023	OIL SEAL	2	2	2	2	
5	94421-18498	RIM (2.15-18)	1	1	1	1	
6	2VN-25304-00	SPOKE SET, REAR	1	1	1	1	
7	94111-1810U	TIRE (110/100-18 64M D737)	1				DUNLOP
	94111-187X9	TIRE (110/100-18-ED12)		1	1	1	BRIDGESTONE
	*	TIRE (120/90-18)			1		LM MICHELIN FOR FRA
8	94212-18188	TUBE (120/90-18)	1				DUNLOP
	94213-18232	TUBE (MC130/80-18)		1	1	1	BRIDGESTONE
	*	TUBE (120/90-18)			1		LM MICHELIN FOR FRA
9	94309-18146	BAND, RIM (110/100-18)	1				DUNLOP
	94340-18086	BAND, RIM (4.00-18)		1	1	1	BRIDGESTONE
	*	BAND, RIM (2.15-18)			1		LM MICHELIN FOR FRA
10	3JE-25394-00	SPACER, BEAD	2	2	2	2	
11	4XM-25364-00	DAMPER	2	2	2	2	
12	26A-25448-50	SPROCKET, DRIVEN (48T)	1	1	1	1	STD
	26A-25444-50	SPROCKET, DRIVEN (44T)	1	1	1	1	AP
	26A-25446-50	SPROCKET, DRIVEN (46T)	1	1	1	1	AP
	26A-25450-50	SPROCKET, DRIVEN (50T)	1	1	1	1	AP
	26A-25452-50	SPROCKET, DRIVEN (52T)	1	1	1	1	AP
13	90109-081G1	BOLT	6	6	6	6	
14	95617-08200	NUT, SELF-LOCKING	6	6	6	6	
15	90201-08326	WASHER, PLATE	6	6	6	6	
16	90387-2000B	COLLAR	1	1	1	1	
17	90387-2000C	COLLAR	1	1	1	1	

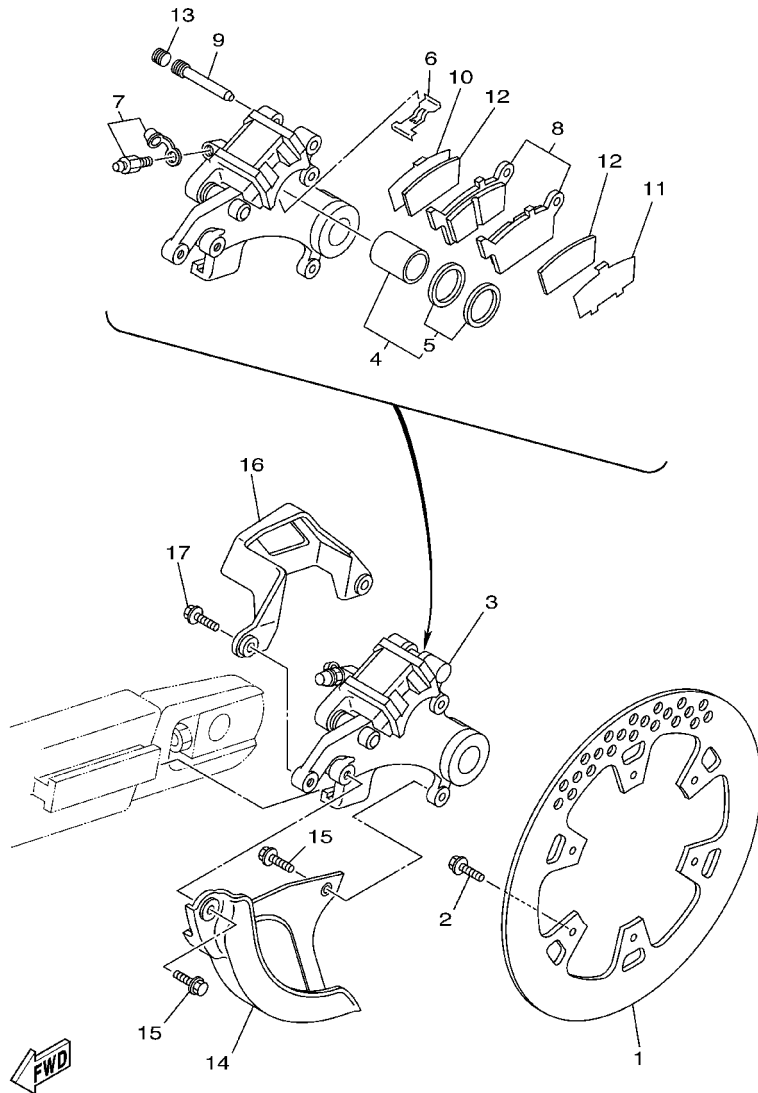
FIG. 27 REAR WHEEL



4XK1100-7270

REF. NO.	PART NO.	DESCRIPTION	CAN	OC	EUR	JPN	REMARKS
18	3SP-25388-00	PULLER, CHAIN 1	2	2	2	2	
19	90101-08777	BOLT	2	2	2	2	
20	95707-08500	NUT, FLANGE	2	2	2	2	
21	3JD-25381-01	AXLE, WHEEL	1	1	1	1	
22	90185-18104	NUT, SELF-LOCKING	1	1	1	1	
23	92907-18600	WASHER	1	1	1	1	
24	94581-47112	CHAIN (D.I.D.520V2-112LL)	1	1	1	1	
25	94681-47011	JOINT, CHAIN	1	1	1	1	
26	4V4-25367-00	COVER, HUB DUST	2	2	2	2	

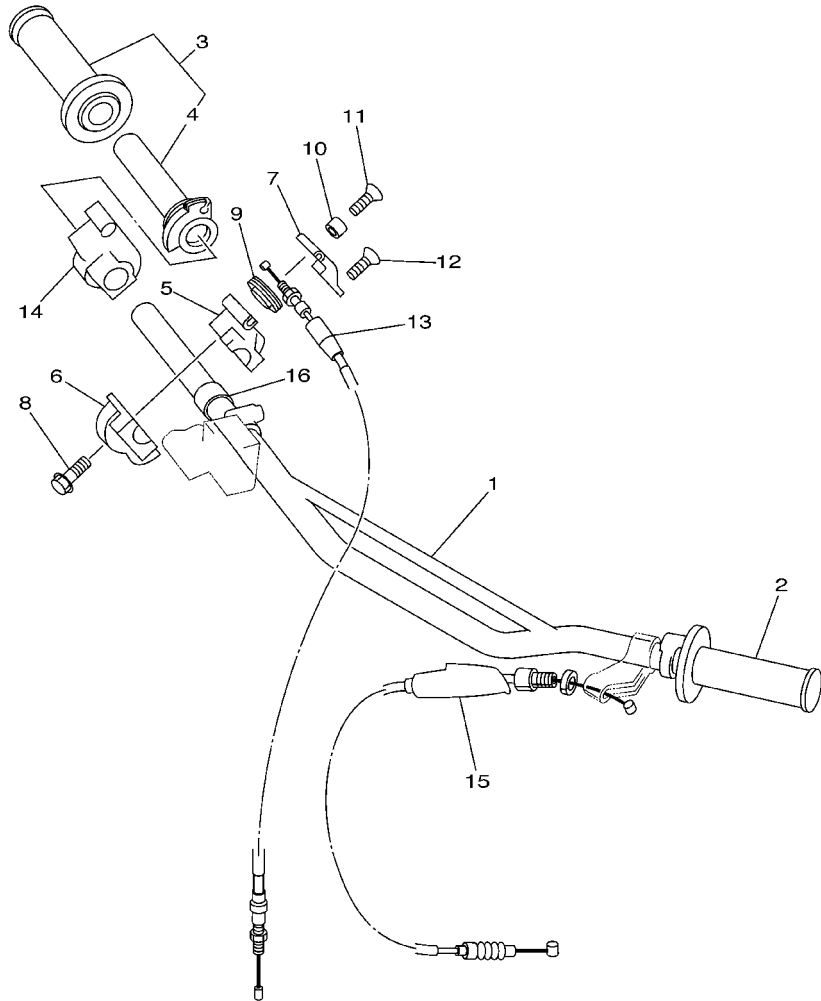
FIG. 28 REAR BRAKE CALIPER



5DH1100-8280

REF. NO.	PART NO.	DESCRIPTION	CAN	OC	EUR	JPN	REMARKS
1	5DH-2582W-00	DISC, REAR BRAKE 2	1	1	1	1	
2	90109-065G4	BOLT	6	6	6	6	
3	5DH-2580W-00	CALIPER ASSY, REAR 2	1	1	1	1	
4	3LD-W0057-00	.PISTON ASSY, CALIPER	1	1	1	1	
5	3JD-W0047-00	..CALIPER SEAL KIT	1	1	1	1	
6	5DH-25919-50	.SUPPORT, PAD	1	1	1	1	
7	1UY-W0048-50	.BLEED SCREW KIT	1	1	1	1	
8	5DH-W0046-00	.BRAKE PAD KIT 2	1	1	1	1	
9	8CR-25924-00	.PIN, PAD	1	1	1	1	
10	5DH-25828-50	.SHIM, CALIPER	1	1	1	1	
11	5DH-25827-50	.SHIM, CALIPER	1	1	1	1	
12	5DH-22898-50	.INSULATOR, HEAT	2	2	2	2	
13	5DH-25916-00	.PLUG	1	1	1	1	
14	5DH-25718-00	PROTECTOR, DISK BRAKE	1	1	1	1	
15	95027-06012	BOLT, FLANGE	2	2	2	2	
16	4GY-27491-00	PROTECTOR	1	1	1	1	
17	95027-06016	BOLT, FLANGE	2	2	2	2	

FIG. 29 STEERING HANDLE. CABLE

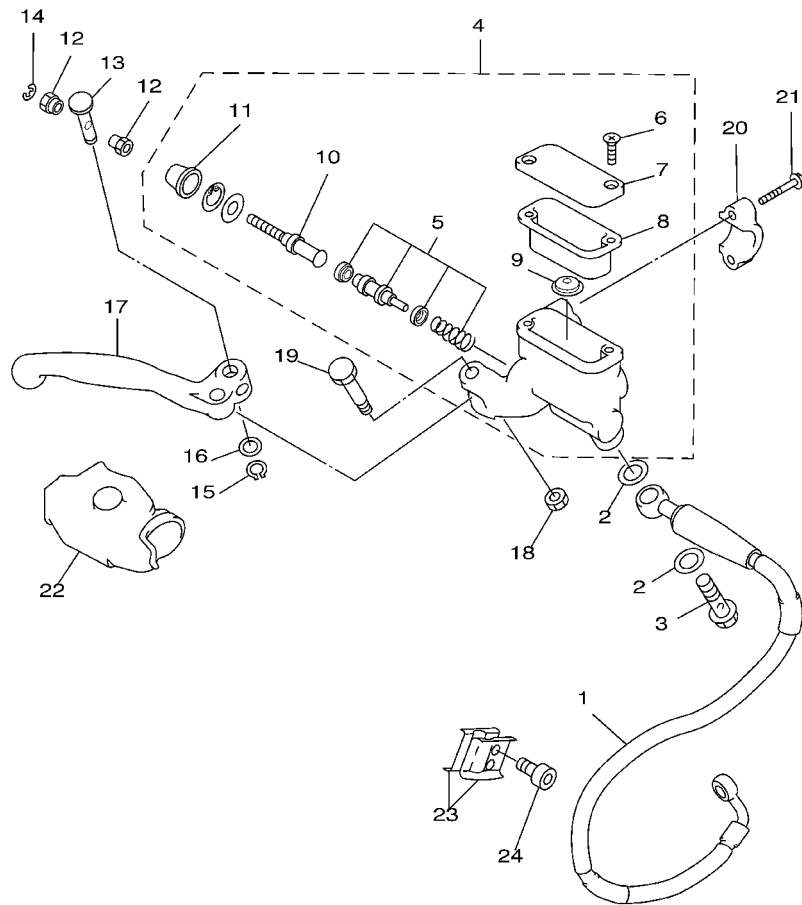


REF. NO.	PART NO.	DESCRIPTION	CAN	OC	EUR	JPN	REMARKS
1	4XM-26111-00	HANDLEBAR	1	1	1	1	
2	4GY-26241-00	GRIP (LEFT)	1	1	1	1	
3	4XM-26240-00	GRIP ASSY	1	1	1	1	
4	4XM-26243-00	.TUBE, THROTTLE GUIDE	1	1	1	1	
5	4SS-26281-00	CAP, GRIP UPPER	1	1	1	1	
6	4SS-26282-10	CAP, GRIP LOWER	1	1	1	1	
7	4SS-2628H-00	CAP, WIRE	1	1	1	1	
8	95027-06025	BOLT, FLANGE	2	2	2	2	
9	4SS-26273-00	ROTOR	1	1	1	1	
10	4SS-26259-00	COLLAR	1	1	1	1	
11	4SS-26256-00	SCREW, GRIP END	1	1	1	1	
12	4SS-2632G-00	SCREW	1	1	1	1	
13	4SS-26311-01	CABLE, THROTTLE 1	1	1	1	1	
14	4SS-26287-01	COVER, CAP GRIP	1	1	1	1	
15	4EW-26335-00	CABLE, CLUTCH	1	1	1	1	
16	90387-227H7	COLLAR	1	1	1	1	



4XL4100-7290

FIG. 30 FRONT MASTER CYLINDER

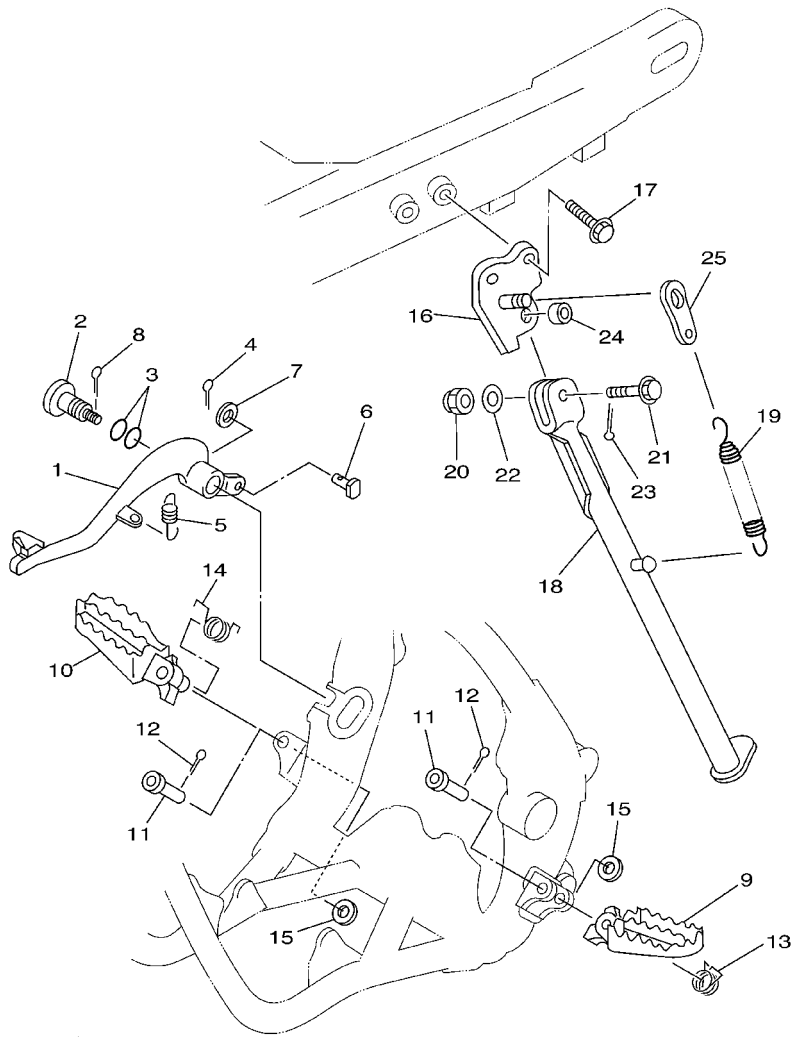


REF. NO.	PART NO.	DESCRIPTION	CAN	OC	EUR	JPN	REMARKS
1	5DH-25872-00	HOSE, BRAKE 1	1	1	1	1	
2	90201-10118	WASHER, PLATE	4	4	4	4	
3	90401-10168	BOLT, UNION	2	2	2	2	
4	4SS-W2587-00	MASTER CYLINDER SUB ASSY	1	1	1	1	
5	4SS-W0041-00	.CYLINDER KIT, MASTER	1	1	1	1	
6	98706-04012	.SCREW, FLAT HEAD	2	2	2	2	
7	4SS-25852-00	.CAP, RESERVOIR	1	1	1	1	
8	4SS-25854-00	.DIAPHRAGM, RESERVOIR	1	1	1	1	
9	4SS-25889-00	.SEPARATOR ASSY	1	1	1	1	
10	4SS-25880-00	.PUSH ROD COMP.	1	1	1	1	
11	4SS-25868-00	.BOOT, MASTER CYLINDER	1	1	1	1	
12	4SS-2538E-00	NUT, ADJUSTING	2	2	2	2	
13	4SS-83913-00	COLLAR, LEVER 1	1	1	1	1	
14	3YX-25866-10	CIRCLIP	1	1	1	1	
15	4SS-25866-00	CIRCLIP	1	1	1	1	
16	4SS-2583G-00	WASHER	1	1	1	1	
17	4SS-83922-01	LEVER 2	1	1	1	1	
18	95606-06100	NUT, U	1	1	1	1	
19	4SS-2589F-00	BOLT, LEVER	1	1	1	1	
20	3YK-25867-00	BRACKET, MASTER CYLINDER	1	1	1	1	
21	4SS-25833-00	BOLT, FITTING	2	2	2	2	
22	4SS-26372-00	COVER, HANDLE LEVER 1	1	1	1	1	
23	90465-16258	CLAMP	2	2	2	2	
24	91317-06014	BOLT	2	2	2	2	



4SS1100-6300

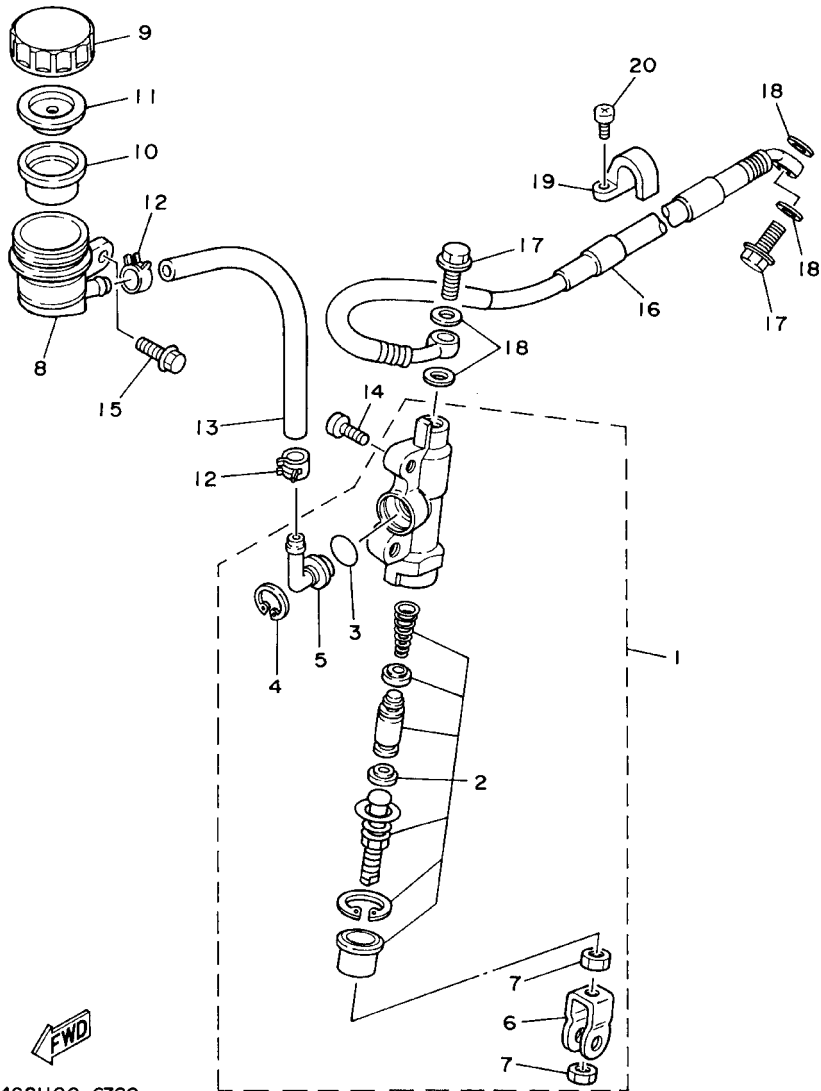
FIG. 31 STAND, FOOTREST



4XK1100-7310

REF. NO.	PART NO.	DESCRIPTION	CAN	OC	EUR	JPN	REMARKS
1	4XM-27200-00	PEDAL, BRAKE	1	1	1	1	
2	4SS-27217-00	BOLT	1	1	1	1	
3	93210-11073	O-RING	2	2	2	2	
4	91401-20012	PIN, COTTER	1	1	1	1	
5	90506-16500	SPRING, TENSION	1	1	1	1	
6	90240-08120	PIN, CLEVIS	1	1	1	1	
7	90201-08089	WASHER, PLATE	1	1	1	1	
8	90468-16191	CLIP	1	1	1	1	
9	4XM-27411-00	FOOTREST 1	1	1	1	1	
10	4XM-27421-00	FOOTREST 2	1	1	1	1	
11	90240-10142	PIN, CLEVIS	2	2	2	2	
12	91401-25015	PIN, COTTER	2	2	2	2	
13	90508-282B8	SPRING, TORSION	1	1	1	1	
14	90508-282B9	SPRING, TORSION	1	1	1	1	
15	90201-10119	WASHER, PLATE	2	2	2	2	
16	4JW-27321-00-T9	BRACKET, SIDE STAND	1	1	1	1	COMS
17	90105-10666	BOLT, WASHER BASED	2	2	2	2	
18	4JW-27311-00	STAND, SIDE	1	1	1	1	
19	90507-32059	SPRING, TENSION	1	1	1	1	
20	90185-10120	NUT, SELF-LOCKING	1	1	1	1	
21	90105-10549	BOLT, WASHER BASED	1	1	1	1	
22	92990-10200	WASHER, PLAIN	1	1	1	1	
23	91401-25020	PIN, COTTER	1	1	1	1	
24	90387-1003G	COLLAR	1	1	1	1	
25	4AA-27263-00	BRACKET 1	1	1	1	1	

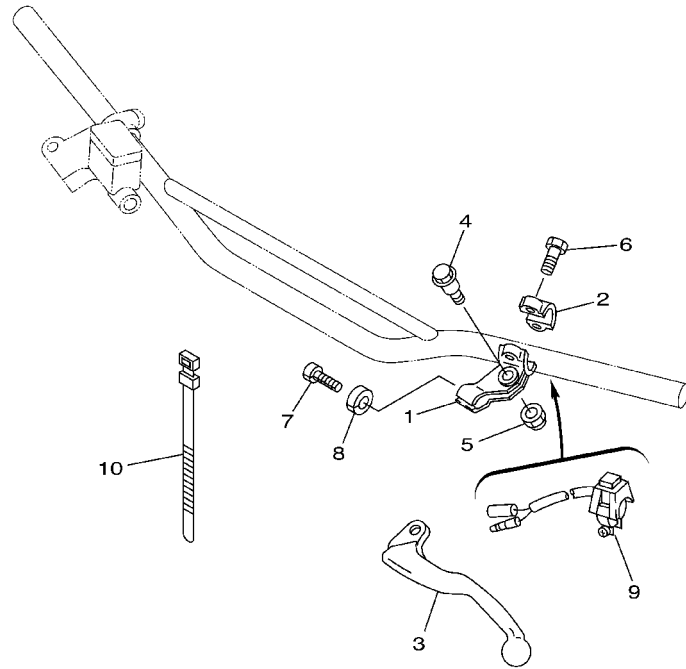
FIG. 32 REAR MASTER CYLINDER



4SS1100-6320

REF. NO.	PART NO.	DESCRIPTION	CAN	OC	EUR	JPN	REMARKS
1	3SP-2583V-00	RR. MASTER CYLINDER ASSY.	1	1	1	1	
2	4SS-W0042-50	.CYLINDER KIT, MASTER	1	1	1	1	
3	93210-15620	.O-RING	1	1	1	1	
4	2VN-25866-00	.CIRCLIP	1	1	1	1	
5	2VN-2582A-50	.JOINT	1	1	1	1	
6	3SP-27222-00	.JOINT	1	1	1	1	
7	4SS-27218-00	.NUT	2	2	2	2	
8	4EW-25894-00	TANK, RESERVOIR	1	1	1	1	
9	3XP-25852-50	CAP, RESERVOIR	1	1	1	1	
10	2VN-25854-00	DIAPHRAGM, RESERVOIR	1	1	1	1	
11	2VN-25855-00	BUSH,DIAPHRAGM	1	1	1	1	
12	90467-12053	CLIP	2	2	2	2	
13	90445-137H9	HOSE	1	1	1	1	
14	92014-06016	BOLT, BUTTON HEAD	2	2	2	2	
15	95027-06012	BOLT, FLANGE	1	1	1	1	
16	5DH-25873-00	HOSE, BRAKE 2	1	1	1	1	
17	90401-10168	BOLT, UNION	2	2	2	2	
18	90201-10118	WASHER, PLATE	4	4	4	4	
19	2VM-25876-00	HOLDER, BRAKE HOSE 2	2	2	2	2	
20	97780-50510	SCREW, TAPPING	4	4	4	4	

FIG. 34 HANDLE SWITCH. LEVER

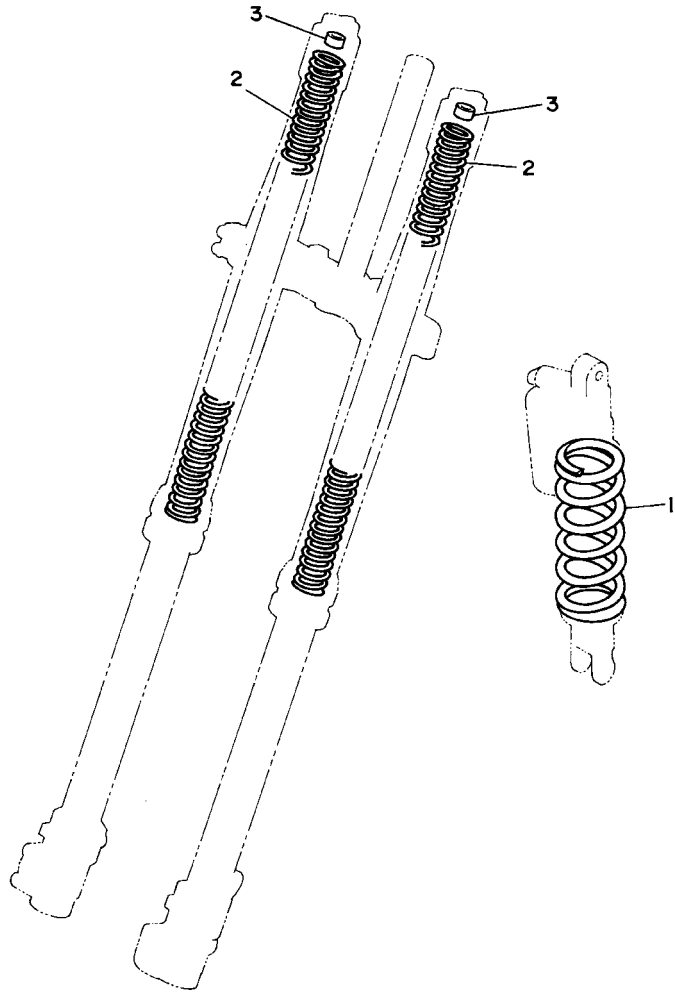


REF. NO.	PART NO.	DESCRIPTION	CAN	OCE	EUR	JPN	REMARKS
1	38V-82911-00	HOLDER, LEVER 1	1	1	1	1	
2	38V-82913-00	HOLDER, LEVER LOWER 1	1	1	1	1	
3	4GY-83912-00	LEVER 1	1	1	1	1	
4	90109-06799	BOLT	1	1	1	1	
5	95607-06100	NUT, U	1	1	1	1	
6	97007-05016	BOLT	2	2	2	2	
7	90123-08090	BOLT	1	1	1	1	
8	90179-08401	NUT	1	1	1	1	
9	23X-83976-00	SWITCH, HANDLE 1	1	1	1	1	
10	90464-13077	CLAMP	2	2	2	2	



4SS1100-6340

FIG. 36 ALTERNATE (CHASSIS)



REF. NO.	PART NO.	DESCRIPTION	CAN	OC	EUR	JPN	REMARKS
1	5DH-22212-70	SPRING (K=4.4)	1	1	1	1	AP
	5DH-22212-10	SPRING (K=4.6)	1	1	1	1	AP
	5DH-22212-20	SPRING (K=4.8)	1	1	1	1	AP
	5DH-22212-30	SPRING (K=5.0)	1	1	1	1	AP
	5DH-22212-40	SPRING (K=5.2)	1	1	1	1	AP
	5DH-22212-50	SPRING (K=5.4)	1	1	1	1	AP
	5DH-22212-60	SPRING (K=5.6)	1	1	1	1	AP
2	4SS-23141-10	SPRING, FRONT FORK (K=0.38)	2	2	2	2	AP
	4SS-23141-20	SPRING, FRONT FORK (K=0.39)	2	2	2	2	AP
	4SS-23141-30	SPRING, FRONT FORK (K=0.40)	2	2	2	2	AP
	4SS-23141-40	SPRING, FRONT FORK (K=0.41)	2	2	2	2	AP
	4SS-23141-50	SPRING, FRONT FORK (K=0.42)	2	2	2	2	AP
	4SS-23141-60	SPRING, FRONT FORK (K=0.43)	2	2	2	2	AP
	4SS-23141-70	SPRING, FRONT FORK (K=0.44)	2	2	2	2	AP
3	4SS-23364-L0	COLLAR 2	1	1	1	1	UN



3XJI100-I360

NUMERICAL INDEX

PART NO.	GRID NO.	PART NO.	GRID NO.	PART NO.	GRID NO.	PART NO.	GRID NO.	PART NO.	GRID NO.	PART NO.	GRID NO.
4SS-W0041-00	D - 11	24X-11953-01	B - 4	676-14548-00	B - 10	4V4-15118-00	B - 13	3XJ-18178-00	C - 6	5DH-22212-40	E - 3
4SS-W0042-50	D - 13	3XK-11956-00	C - 2	4MX-14561-00	B - 9	4XL-15121-00	B - 13	3XJ-18182-00	C - 6	5DH-22212-50	E - 3
5DH-W0045-00	D - 6	3SP-11990-00	B - 4	4XL-14610-10	B - 12	1G8-15362-00	B - 14	3XJ-18184-00	C - 6	5DH-22212-60	E - 3
5DH-W0045-10	D - 6	3SP-11992-11	B - 3	3JE-14615-01	B - 12	3SP-15381-00	B - 13	4EW-18185-00	C - 6	5DH-22212-70	E - 3
5DH-W0046-00	D - 9	3SP-11993-10	B - 3	5DJ-1469A-00	B - 12	2VM-15411-00	B - 14	4SR-18511-00	C - 5	3SP-22213-00	C - 12
3JD-W0047-00	D - 6	2VM-11995-01	B - 3	5DJ-14753-00	B - 12	4EW-15415-00	B - 14	2VM-18512-00	C - 5	5DH-22214-00	C - 12
	D - 9	4SR-1240A-00	B - 7	565-14771-00	B - 12	2VM-15421-02	B - 14	4SR-18513-00	C - 5	5DH-22224-00	C - 12
1UY-W0048-50	D - 6	4SR-12422-00	B - 6	483-14781-02	B - 12	4SR-15441-00	B - 14	4EX-18531-00	C - 5	4JX-22226-00	C - 12
	D - 9	2VM-12428-11	B - 6	4XL-14916-AE	B - 9	2VM-15451-11	B - 14	3XV-18535-00	C - 5	3SP-22234-00	C - 12
3LD-W0057-00	D - 9	5DJ-12451-00	B - 6	4XL-14916-AF	B - 9	2VM-15462-11	B - 14	3XK-18540-01	C - 5	4EW-22253-00	C - 12
4EW-W0057-00	D - 6	5DJ-12459-00	B - 6	4XL-14916-AG	B - 9	3SP-15463-11	B - 14	5EN-21101-00-PO	C - 7	5DH-22253-00	C - 12
4SS-W2587-00	D - 11	4SR-12461-00	B - 7	4XL-14916-AH	B - 10	4JW-15620-00	B - 15	5DH-21190-00-PO	C - 7	4SS-22355-00	C - 10
3JE-Y113E-00	B - 2	22W-12462-00	B - 7	4XL-14916-DE	B - 9	3SP-15621-02	B - 15	1HX-2135F-10	C - 11	3V6-22358-00	D - 2
5X4-Y113F-10	B - 2	4XL-12481-00	B - 7	4XL-14916-DF	B - 9	3R4-15641-00	B - 15	5DJ-21425-00	C - 7	4EW-22474-00	C - 12
3SP-Y1543-10	B - 14	4SS-12482-00	B - 7	4XL-14916-DG	B - 9	38V-15651-00	B - 15	4DA-21511-20	C - 8	3E-22475-00	C - 12
5DJ-11111-00	B - 2	4XL-12484-00	B - 7	4XL-14916-DH	B - 9	4JW-15660-00	B - 15	4XL-2153A-10	C - 15	5DH-22898-50	D - 9
4XL-1131A-10	B - 2	5Y9-12491-00	E - 2	4XL-14916-ME	B - 10	2VM-15664-00	B - 15	5BE-21611-10	C - 8	5EN-23102-00	C - 14
4MX-1131M-00	B - 3	353-13115-01	B - 13	4XL-14916-MF	B - 10	5DJ-16111-00	C - 2	4ES-21642-00	C - 8	5EN-23103-00	C - 14
3JE-1131N-10	B - 2	4XL-13565-00	B - 8	4XL-14916-MG	B - 10	5DJ-16150-00	C - 2	4SS-21711-00	C - 9	5DH-23110-L0	C - 14
4XL-11311-10	B - 2	4XL-13610-00	B - 8	4XL-14916-MH	B - 10	2K7-16154-00	C - 2	4EW-2172A-10	C - 9	5DH-23111-L0	C - 14
4XL-11351-01	B - 2	4XL-13613-00	B - 8	4XL-14916-VE	B - 9	3SP-16154-00	C - 2	4SS-21721-00	C - 9		C - 15
4MX-11354-00	B - 3	4XL-13616-00	B - 8	4XL-14916-VF	B - 9	2VM-16181-00	C - 2	5EN-2173E-00	C - 9	5DH-23118-L0	C - 14
5DJ-11400-00	B - 5	4XL-13625-00	B - 8	4XL-14916-VG	B - 9	3XK-16321-00	C - 2	5EN-2173F-00	C - 9		C - 15
4SR-11410-10	B - 5	4XL-1410E-00	B - 11	4X7-16325-00	C - 2	4X7-16325-00	C - 2	4SS-21731-10	C - 9	3JD-2312G-L0	C - 14
4SR-11420-00	B - 5	5DJ-14101-00	B - 9	4MX-14919-00	B - 10	4EW-16351-01	C - 2	4SS-21741-10	C - 9		C - 15
4JX-11603-00	B - 5	4SR-14105-00	B - 10	4MX-14943-40	B - 10	4XL-16356-00	C - 2	3JD-21748-00	C - 8	5DH-23120-L0	C - 14
	E - 4	4MX-14115-00	B - 9	4MX-14943-41	B - 10	4EW-16357-00	C - 2	5DJ-21781-00	C - 9	4SS-23125-L0	C - 14
4SR-11630-00	E - 4	4SR-14126-00	B - 10	4MX-14943-42	B - 10	4EW-16371-01	C - 2	5EN-22110-00	C - 10	5DH-23136-L0	C - 14
4SR-11631-00-A0	B - 5	4MX-14131-00	B - 10	4MX-14943-43	B - 10	4EW-16381-01	C - 2	156-22127-00	C - 10	5DH-2314E-00	D - 6
4SR-11631-00-B0	B - 5	3TJ-14137-40	B - 10	4MX-14943-44	B - 11	2VM-17121-01	C - 3	4XM-22128-00	C - 10	5DH-2314F-L0	C - 15
	E - 4	4XL-14146-00	B - 9	4MX-14943-45	B - 11	3RB-17131-00	C - 3	5DH-22129-00	C - 10	4SS-2314G-L0	C - 15
4SR-11631-00-C0	B - 5	663-14159-00	B - 10	4MX-14943-91	B - 10	3RB-17141-10	C - 3	5DH-22141-00	C - 10	5DH-2314H-00	C - 15
4SR-11631-00-D0	B - 5	4SR-14171-00	B - 9	4MX-14943-92	B - 10	3RB-17151-00	C - 3	4EW-22151-20	C - 10	5DH-2314J-00	C - 15
2VM-11633-01	B - 5	4MX-14194-00	B - 11	4MX-14943-93	B - 10	3RB-17211-00	C - 3	5DH-2217A-00	C - 10	4SS-23141-L0	C - 14
	E - 4	4XL-14196-10	B - 10	4MX-14943-94	B - 10	2VM-17221-00	C - 3	5DH-2217F-00	C - 11		C - 15
4SR-11650-00	E - 4	4XL-14197-10	B - 10	4MX-14943-95	B - 11	3RB-17231-00	C - 3	3JD-22178-10	C - 7	4SS-23141-10	E - 3
5X5-11651-03	B - 5	4SR-14261-00	B - 10	4SR-14943-90	B - 10	3RB-17241-10	C - 3	4EW-22178-00	C - 7	4SS-23141-20	E - 3
	E - 4	4SR-14340-A6	B - 10	4MX-14948-04	B - 9	3RB-17251-00	C - 3	4XM-22199-00	C - 10	4SS-23141-30	E - 3
4SR-11681-00	B - 5	5DJ-14340-A7	B - 10	4MX-14948-05	B - 9	4JW-17411-00	C - 3	5EN-22201-00	C - 12	4SS-23141-40	E - 3
	E - 4	4MX-14392-00	B - 9	4MX-14948-06	B - 9	2VM-17421-01	C - 3	5EN-22201-10	C - 12	4SS-23141-50	E - 3
5X5-11911-01	B - 4	4SS-14401-02	B - 8	4MX-14948-07	B - 9	4L0-17471-00	B - 13	5EN-22201-20	C - 12	4SS-23141-60	E - 3
5X5-11912-01	B - 4	4SS-14417-00	B - 8	4MX-14948-08	B - 9	3XK-18101-02	C - 6	5EN-22210-00	C - 12	4SS-23141-70	E - 3
1LX-11915-00	B - 3	4XM-14451-00	B - 8	4MX-14948-09	B - 9	4SS-18110-00	C - 6	5EN-22210-10	C - 12	5DH-23142-L0	C - 14
5X4-11921-02	B - 4	4SR-14453-00	B - 8	4SR-14948-02	B - 9	3XK-18122-00	C - 6	5EN-22210-20	C - 12		C - 15
3JE-11922-01	B - 4	3JD-14458-01	B - 8	4SR-14948-03	B - 9	3XK-18140-00	C - 5	5DH-22212-10	C - 12	4SS-23144-L0	C - 14
3JE-11931-01	B - 4	3JD-14459-01	B - 8	4MX-14984-00	B - 9	4DA-18172-00	C - 6		E - 3		C - 15
3JE-11937-01	B - 3	3JD-14462-00	B - 8	4SR-14985-00	B - 9	3XJ-18173-00	C - 6	5DH-22212-20	E - 3	5DH-23145-L0	C - 14
5X4-11952-00	B - 4	3JD-14477-00	B - 8	4XL-15111-00	B - 13	3XK-18177-00	C - 5	5DH-22212-30	E - 3	4SS-23146-L0	C - 14

NUMERICAL INDEX

PART NO.	GRID NO.	PART NO.	GRID NO.	PART NO.	GRID NO.	PART NO.	GRID NO.	PART NO.	GRID NO.	PART NO.	GRID NO.
5DH-23149-L0	C-14	4SS-25181-00	D-5	5DH-25916-00	D-6	90105-06553	B-8	90183-06023	C-8	90215-21239	C-4
	C-15	5DH-25183-00	D-5		D-9	90105-06556	B-13	90183-06069	C-9	90240-08120	D-12
4SS-23153-L0	C-14	5DH-25186-00	D-5	5DH-25919-00	D-6	90105-08099	C-7	90185-10120	D-12	90240-10142	D-12
	C-15	2VN-25304-00	D-7	5DH-25919-50	D-9	90105-08494	C-7	90185-14112	C-11	90267-32070	B-8
4SS-23158-L0	C-14	4EW-25311-00	D-7	8CR-25924-00	D-9	90105-08659	D-6	90185-16127	C-10	90280-03045	B-5
	C-15	4EW-25317-00	D-7	5DH-25933-00	D-6	90105-10323	C-12	90185-18104	D-8	90338-16148	C-10
5EN-2316A-L0	C-14	4XM-25364-00	D-7	4XM-26111-00	D-10	90105-105A2	C-12	90201-03313	B-8		C-7
	C-15	4V4-25367-00	D-8	4XM-26240-00	D-10	90105-10549	D-12	90201-057H5	B-4	90340-12059	B-13
5EN-23170-L0	C-14	4SS-2538E-00	D-11	4GY-26241-00	D-10	90105-10666	D-12	90201-06071	B-12	90387-0600F	C-8
	C-15	3JD-25381-01	D-8	4XM-26243-00	D-10	90105-10733	C-7		B-7		C-9
4SS-23171-L0	C-14	3SP-25388-00	D-8	4SS-26256-00	D-10	90109-065G4	D-9		C-8	90387-063G3	B-12
5DH-23183-00	C-12	2J5-25394-01	D-5	4SS-26259-00	D-10	90109-06799	D-15	90201-061A5	B-8	90387-0700G	B-7
509-23184-L0	C-12	3JE-25394-00	D-7	4SS-26273-00	D-10	90109-081G1	D-7	90201-06557	C-8	90387-0701A	C-8
5DH-23195-L0	C-14	26A-25444-50	D-7	4SS-2628H-00	D-10	90109-142F4	C-11	90201-08087	B-2	90387-086N4	C-7
	C-15	26A-25446-50	D-7	4SS-26281-00	D-10	90109-147F2	C-10	90201-08089	D-12	90387-1003G	D-12
4EW-2331E-L0	C-15	26A-25448-50	D-7	4SS-26282-10	D-10	90110-05201	C-10	90201-08326	D-7	90387-102W0	B-2
5DJ-23340-L0	C-15	26A-25450-50	D-7	4SS-26287-01	D-10	90110-08096	C-7	90201-08512	B-6	90387-152F2	B-4
4SS-23346-L0	C-15	26A-25452-50	D-7	4SS-26311-01	D-10	90116-08392	B-2	90201-086P8	C-7	90387-164N2	C-10
3SP-23356-L0	C-15	5DH-25718-00	D-9	4SS-2632G-00	D-10	90116-08394	B-2	90201-087A9	B-15	90387-164N3	C-10
4SS-23364-L0	E-3	5DH-2580T-00	D-6	4EW-26335-00	D-10	90116-10314	B-2	90201-08730	C-7	90387-167Y9	C-10
4DA-23389-00	C-13	5DH-2580T-10	D-6	4SS-26372-00	D-11	90116-10547	B-2	90201-08784	B-6	90387-1712R	C-10
5DH-2339E-00	C-13	5DH-2580W-00	D-9	4XM-27200-00	D-12	90119-06096	C-8	90201-10118	D-11	90387-1712Y	B-13
5DH-23393-L0	C-14	2VN-2582A-50	D-13	4SS-27217-00	D-12	90119-06185	B-12		D-13	90387-2000B	D-7
	C-15	4XM-2582T-00	D-6	4SS-27218-00	D-13		C-13	90201-10119	D-12	90387-2000C	D-7
4EW-23416-00	C-13	5DH-2582W-00	D-9	3SP-27222-00	D-13	90119-06214	D-2	90201-10591	D-14	90387-227H7	D-10
4SS-23435-00	C-13	5DH-25827-50	D-9	4AA-27263-00	D-12	90122-06035	B-8	90201-112U6	C-12	90387-2513A	C-2
3SP-23441-00	C-13	5DH-25828-50	D-9	4JW-27311-00	D-12	90123-08090	D-15	90201-12166	C-5	90387-25663	C-3
4DA-23485-20	C-13	4SS-2583G-00	D-11	4JW-27321-00-T9	D-12	90149-06011	D-14	90201-125L6	C-2	90401-10168	D-11
4SS-24110-10	D-2	3SP-2583V-00	D-13	4XM-27411-00	D-12		D-2	90201-14740	C-11		D-13
4EW-2412F-00	D-2	4SS-25833-00	D-11	4XM-27421-00	D-12	90149-06272	D-6	90201-154F5	B-4	90430-06014	B-14
24X-24144-00	D-2	3XP-25852-50	D-13	4GY-27491-00	D-9	90151-04048	C-10	90201-164H4	C-10		B-3
3SP-24173-00	D-2	4SS-25852-00	D-11	56A-28166-00	C-7	90151-06037	B-13		C-11	90430-06166	B-6
4SS-24181-00	D-2	2VN-25854-00	D-13	4SR-82310-00	E-2	90157-06048	B-15	90201-17545	B-15	90430-12227	B-13
4SS-24182-00	D-2	4SS-25854-00	D-11	4PE-82370-10	E-2	90157-06077	B-13	90201-20278	C-3	90445-08605	B-13
3JD-24186-00	D-2	2VN-25855-00	D-13	5X1-82519-01	E-2	90159-06016	C-2	90201-20358	B-15	90445-09104	D-2
5DH-24240-00	D-3	2VN-25866-00	D-13	38V-82911-00	D-15	90159-06078	C-9	90201-22555	C-3	90445-09220	D-2
3XJ-24380-00	D-2	3YX-25866-10	D-11	38V-82913-00	D-15	90159-06182	C-9	90201-247L2	C-13	90445-110G7	D-2
4JW-24500-00	D-2	4SS-25866-00	D-11	4GY-83912-00	D-15	90170-20255	C-2	90201-253K0	C-3	90445-137H9	D-13
4X8-24512-00	D-2	3YK-25867-00	D-11	4SS-83913-00	D-11	90170-24373	C-13	90201-286K9	C-3	90450-25037	B-7
3AJ-24523-00	D-2	4SS-25868-00	D-11	4SS-83922-01	D-11	90176-08026	B-2	90202-05193	D-2	90450-28014	B-7
3AJ-24534-00	D-2	5DH-25872-00	D-11	23X-83976-00	D-15	90179-06568	C-10	90208-18025	C-2	90450-51070	B-8
1UY-24610-00	D-2	5DH-25873-00	D-13	4MX-85540-00	E-2	90179-08401	D-15	90209-06096	B-8	90450-70072	B-8
4SS-24728-00	D-4	5DH-25875-00	D-6	4XK-85546-00	E-2	90179-10394	D-14	90209-17311	C-3	90460-15126	C-7
5DH-24731-00	D-4	2VM-25876-00	D-13	3SP-85550-10	D-14	90179-16672	D-5	90209-18135	C-3	90464-13073	E-2
5DH-24770-00	D-4	4SS-25880-00	D-11	3RB-85560-11	D-14	90179-18172	C-2	90209-22082	C-3	90464-13077	D-15
4DA-25104-00	D-5	4SS-25889-00	D-11	90101-06664	C-6	90179-20255	C-4	90209-25085	B-5	90464-16039	B-8
4SS-25111-00	D-5	4SS-2589F-00	D-11	90101-08777	D-8	90179-28650	C-13		E-4	90464-50255	E-2
5DH-25117-00	D-5	4EW-25894-00	D-13	90105-05361	C-13	90183-06023	B-8	90215-20231	C-2	90465-13275	D-2

NUMERICAL INDEX

PART NO.	GRID NO.	PART NO.	GRID NO.	PART NO.	GRID NO.	PART NO.	GRID NO.	PART NO.	GRID NO.	PART NO.	GRID NO.
90465-13275	E-2	93102-12224	C-2	93440-10085	C-2	95027-06025	B-14	99001-06600	B-6		
90465-16258	D-11	93102-20309	B-15	93440-25084	C-3		B-6	99009-17400	B-15		
90467-09006	B-7	93102-22363	B-5	93450-19052	B-5		D-10	99241-00080	C-8		
90467-10008	D-2	93102-26468	D-5		E-4	95027-06030	B-14	99530-10114	B-2		
90467-12053	D-13	93102-32337	C-3	93501-04011	B-15		B-7	99530-12016	B-14		
90467-21068	B-7	93103-36182	B-5	93521-64032	B-4		C-8	99530-14016	B-2		
90468-16191	D-12	93104-08040	B-4	93603-14240	B-4	95027-06050	C-10				
90468-26048	B-15	93104-16074	B-2	93604-08071	B-2	95027-06065	B-6				
90480-15528	B-7	93106-22019	C-10	93604-10011	B-14	95027-06070	B-14				
90480-16561	B-12	93106-28023	D-7		B-6	95027-08012	B-12				
90480-18549	D-2	93109-11073	B-6	93604-29184	B-4	95027-08020	B-15				
90501-052G5	C-6	93109-20029	C-10	93608-33046	C-6		D-6				
90501-13720	B-15		C-11	93612-16254	B-13	95027-08035	C-13				
90501-213L7	B-4	93210-09192	B-3	93834-13207	C-4	95027-08040	C-13				
90501-23598	C-2	93210-11073	D-12	93834-14049	C-3		C-7				
90506-16500	D-12	93210-14104	B-14	93834-15075	C-4	95027-08065	C-7				
90507-20052	B-12	93210-15620	D-13	94108-217X2	D-5	95606-06100	D-11				
90507-32059	D-12	93210-19216	B-15	94108-217X8	D-5	95607-05100	B-8				
90508-14783	B-4	93210-270A8	B-2	94111-1810U	D-7	95607-06100	D-15				
90508-26561	C-5	93210-472A9	B-12	94111-187X9	D-7	95607-08200	C-7				
90508-282B8	D-12	93210-77363	B-2	94209-21229	D-5	95617-08200	D-7				
90508-282B9	D-12	93211-11770	B-2	94212-18188	D-7	95617-10200	C-12				
90508-291A8	C-6	93300-60801	B-4	94213-18232	D-7		C-7				
90508-30743	B-15	93300-60804	C-7	94227-21101	D-5	95707-08500	C-7				
90560-08213	B-4	93306-00105	B-6	94307-21145	D-5		D-8				
90560-12280	C-6	93306-00418	D-7	94309-18146	D-7	95707-10500	B-2				
91A20-05065	B-7	93306-20540	C-3	94330-21084	D-5	95817-10055	C-7				
91317-04006	B-4	93306-20574	C-3	94340-18086	D-7	95817-10100	C-7				
91317-06014	D-11	93306-37807	B-5	94416-21509	D-5	95827-06012	D-6				
91317-06016	E-2	93306-90403	D-5	94421-18498	D-7	95827-06016	C-9				
91317-06020	B-8	93310-230T7	C-2	94581-47112	D-8	97007-05016	B-3				
91317-06050	B-13	93310-418E9	B-5	94681-47011	D-8		D-15				
91317-06070	B-13		E-4	94702-00326	B-2	97007-05020	B-3				
91401-20012	D-12	93310-425P2	B-5	94709-00326	B-2	97007-05030	B-4				
91401-25015	D-12		E-4	95021-08040	C-15	97007-06012	D-4				
91401-25020	D-12	93311-41734	C-3	95027-06008	B-14	97017-05030	B-3				
92014-06016	D-13	93311-62035	C-3		B-3	97707-60016	C-8				
92017-06010	B-12	93315-11206	C-2	95027-06010	C-10	97780-50510	D-13				
92907-03100	B-8	93315-32056	C-10	95027-06012	B-12	97801-03008	D-2				
92907-05600	B-3		C-11		B-14	98502-04012	B-11				
92907-06100	D-4	93317-22262	C-10		C-8	98502-04014	B-10				
92907-06600	B-14	93332-00068	C-13		D-13	98507-03008	B-8				
92907-08200	D-6	93332-00081	C-13		D-9	98507-05008	B-3				
92907-10200	C-7	93340-21505	B-4	95027-06016	D-2	98507-05012	B-2				
92907-18600	D-8		C-2		D-9	98507-06030	B-14				
92990-10200	D-12	93342-22215	C-10	95027-06020	C-6	98706-04012	D-11				
93101-12004	C-6	93410-20038	C-3		C-8	98707-06025	D-2				
93102-12106	B-6	93410-22039	C-3	95027-06025	B-12	98907-06020	D-2				