



**YAMAHA**

**PARTS LIST**

**MODEL DT125 ('76)**  
**(TYPE 1F9)**

**FOR EUROPE**

**YAMAHA MOTOR CO., LTD.**

COPY RIGHT: ALL RIGHTS RESERVED

NO PART OF THIS PUBLICATION MAY BE REPRODUCED WITHOUT PERMISSION.



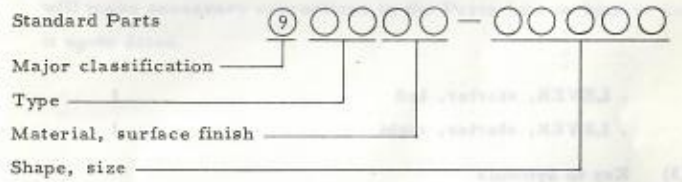
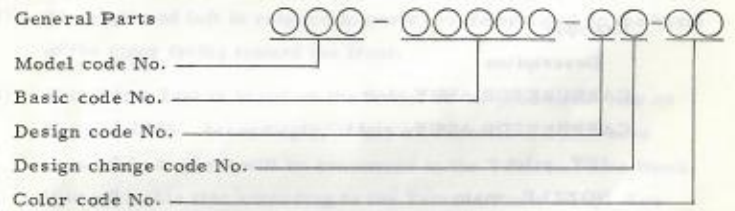


## FOREWORD

This Parts List related to the parts in use for the YAMAHA DT125. When you are ordering replacement parts for the DT125, refer to this Parts List and write both part numbers and part names correctly.

### 1. Structure of Part No.

Yamaha parts are divided largely into two categories; general parts and standard parts, and each part No. has the following structure:



Note: Every standard No. begins with 9.

### 2. How to Use this Parts List

(1) Except for steel balls (whose size is indicated in inches), the size of all parts is indicated in millimeters in the following manner.

- Hose (rubber or vinyl) . . . . Inside diameter - length
- O-ring . . . . . Section area - inside diameter
- Washer, shim, collar . . . . Inside diameter - outside diameter - thickness (length)

(2) Parts, which are to be supplied in the form of assemblies, are listed with an indention of one letter's space, and a dot (.) is put

against the name of each part. If any two different assemblies (e.g., right and left side components) consist of almost the same type components, these two assemblies are listed in two lines, and then the names of component parts are listed in the subsequent lines with an indentation as mentioned earlier. The quantity of parts is given in the following manner; that is, in the case of parts being the same in type between the right and left, a total quantity of parts is given. On the other hand, if the right and left side parts are different in type, the quantity of part(s) on each side is given.

Example

Description	Q'ty
CARBURETOR ASS'Y, left	1
CARBURETOR ASS'Y, right	1
. JET, pilot	2
. NOZZLE, main	2
.	
.	
.	
. LEVER, starter, left	1
. LEVER, starter, right	1

(3) Key to Symbols

- U.R. .... Use size (thickness) and/or number as required
- U.N. .... Use as many as you need
- T ..... Number of teeth in a gear
- V ..... Voltage for light bulbs
- S ..... "S" type oil seal or "S" type circlip
- SD ..... "SD" type oil seal
- SO ..... "SO" type oil seal
- SW ..... "SW" type oil seal
- E ..... "E" type circlip
- R ..... "R" type circlip
- F/No. .... Frame No. (Applicable machine No.)

- (4) The parts marked with "X" in your country column are exclusive for your country, therefore, you should place an order only those parts. Meanwhile, the other parts are common for all European countries, and then we do not mention the names of countries.
- (5) The parts marked with \* in the remark column of this list are not supplied with by Yamaha, those have to be found locally.
- (6) Please be advised that we supply you with Head Lamp Unit Ass'y, Tail Lamp Unit Ass'y and Flasher Lamp Ass'y without bulbs.
- (7) The right and left in relation to parts are determined on the basis of the rider facing toward the front.
- (8) This Parts List is based on the model in the production line on Dec. 1, 1975. Accordingly, if any modifications which have been made to parts will be announced in the Yamaha Parts News. It is advisable that according to the Yamaha Parts News, You will make necessary corrections to the Parts List on hand to keep it up-to dated.

## CONTENTS

### ENGINE

Fig. 1	Crankcase - Cylinder	1
Fig. 2	Crankcase Cover	5
Fig. 3	Crank - Piston	7
Fig. 4	Clutch	11
Fig. 5	Transmission	13
Fig. 6	Shifter 1	17
Fig. 7	Shifter 2	19
Fig. 8	Kick Starter	21
Fig. 9	Tachometer Gear	23
Fig. 10	Intake	25
Fig. 11	Carburetor	27
Fig. 12	Exhaust	31
Fig. 13	Oil Pump	33
Fig. 14	Flywheel Magneto	35

### CHASSIS

Fig. 15	Frame - Side Cover	39
Fig. 16	Rear Arm - Rear Cushion - Chain Case	43
Fig. 17	Stand - Footrest - Brake Pedal	45
Fig. 18	Front Fender - Rear Fender	47
Fig. 19	Front Fork	51
Fig. 20	Steering	55
Fig. 21	Handle - Wire	57
Fig. 22	Fuel Tank	61
Fig. 23	Oil Tank	63
Fig. 24	Seat	65
Fig. 25	Front Wheel	67
Fig. 26	Rear Wheel	71
Fig. 27	Head Lamp 1	75

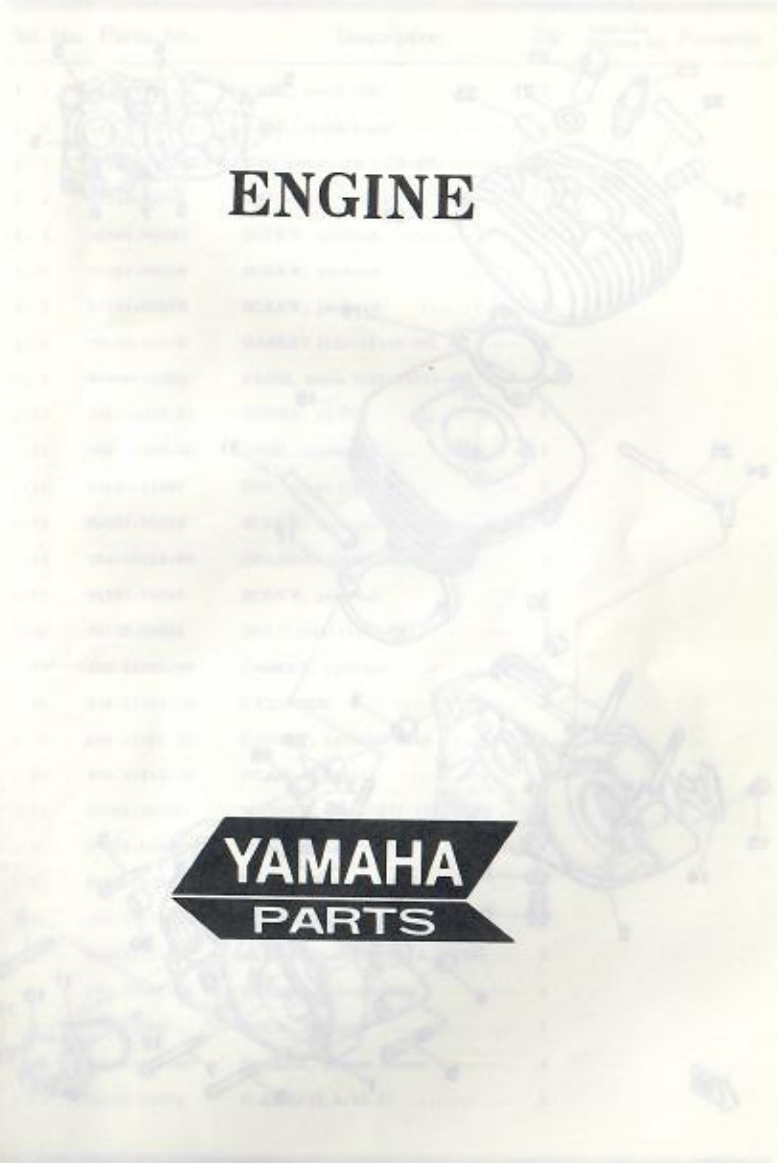
Fig. 28	Head Lamp 2	77
Fig. 29	Speedometer - Tachometer	79
Fig. 30	Tail Lamp 1	81
Fig. 31	Tail Lamp 2	85
Fig. 32	Flasher Lamp 1	87
Fig. 33	Flasher Lamp 2	89
Fig. 34	Electrical	91

**REPAIR KIT**

Fig. 35	Repair Kit	97
---------	------------	----

**NUMERICAL INDEX**

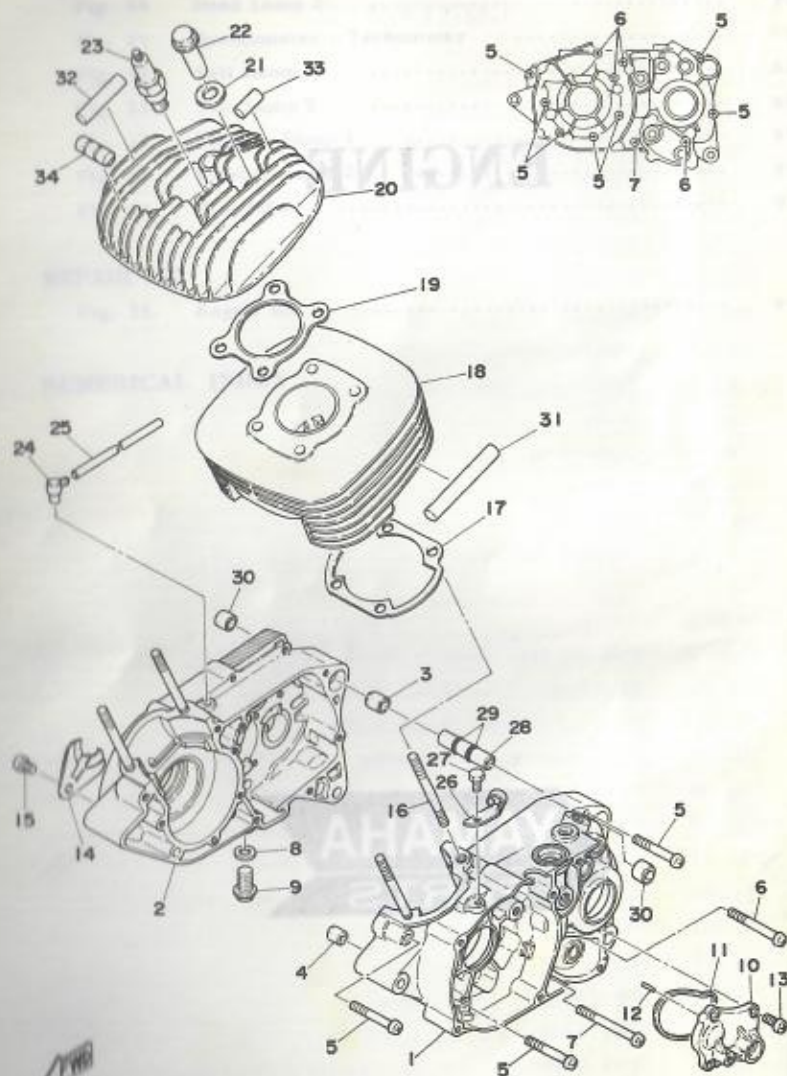
*(Faint, mostly illegible text in the numerical index section)*



**ENGINE**



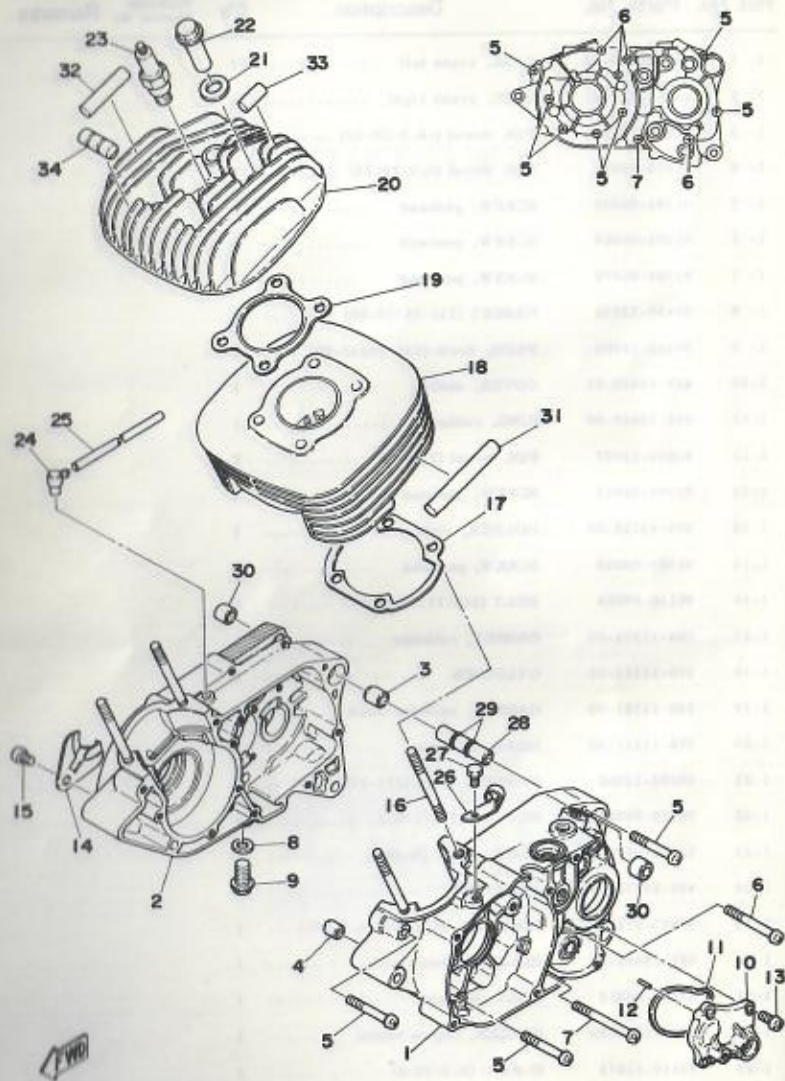
Fig. 1 CRANKCASE · CYLINDER



CRANKCASE · CYLINDER

Ref. No.	Parts No.	Description	Q'ty	Applicable Machine No.	Remarks
1- 1	443-15111-02	CASE, crank left	1		
1- 2	443-15121-01	CASE, crank right	1		
1- 3	91810-19020	PIN, dowel (16.5-20-20)	1		
1- 4	91810-02015	PIN, dowel (6.4-10-15)	1		
1- 5	92501-06050	SCREW, panhead	7		
1- 6	92501-06060	SCREW, panhead	4		
1- 7	92501-06070	SCREW, panhead	1		
1- 8	90430-12038	GASKET (132-15353-00)	1		
1- 9	90340-12005	PLUG, drain (132-15351-00)	1		
1-10	437-15419-01	COVER, shifter	1		
1-11	401-15449-00	RING, rubber	1		
1-12	93603-12007	PIN, dowel (3-11-8)	2		
1-13	92501-06015	SCREW, panhead	4		
1-14	304-15128-00	HOLDER, right	1		
1-15	92501-08010	SCREW, panhead	1		
1-16	90116-08064	BOLT (248-11361-00)	4		
1-17	248-11351-00	GASKET, cylinder	1		
1-18	578-11311-00	CYLINDER	1		
1-19	248-11181-00	GASKET, cylinder head	1		
1-20	578-11111-00	HEAD, cylinder	1		
1-21	90201-12362	WASHER, plate (278-11175-00)	4		
1-22	90179-08025	NUT (248-11171-01)	4		
1-23	94701-00045	PLUG, spark (B-SES)	1		
1-24	498-15371-00	BREATHER	1		
1-25	90445-07176	HOSE (395-24317-00 4.2-200)	1		
1-26	401-15441-02	HOLDER, clutch wire	1		
1-27	97301-06012	BOLT, hexagon	1		
1-28	401-15317-00	SPACER, engine mount	1		
1-29	93210-11073	O-RING (2.4-10.8)	2		

Fig. 1 CRANKCASE · CYLINDER

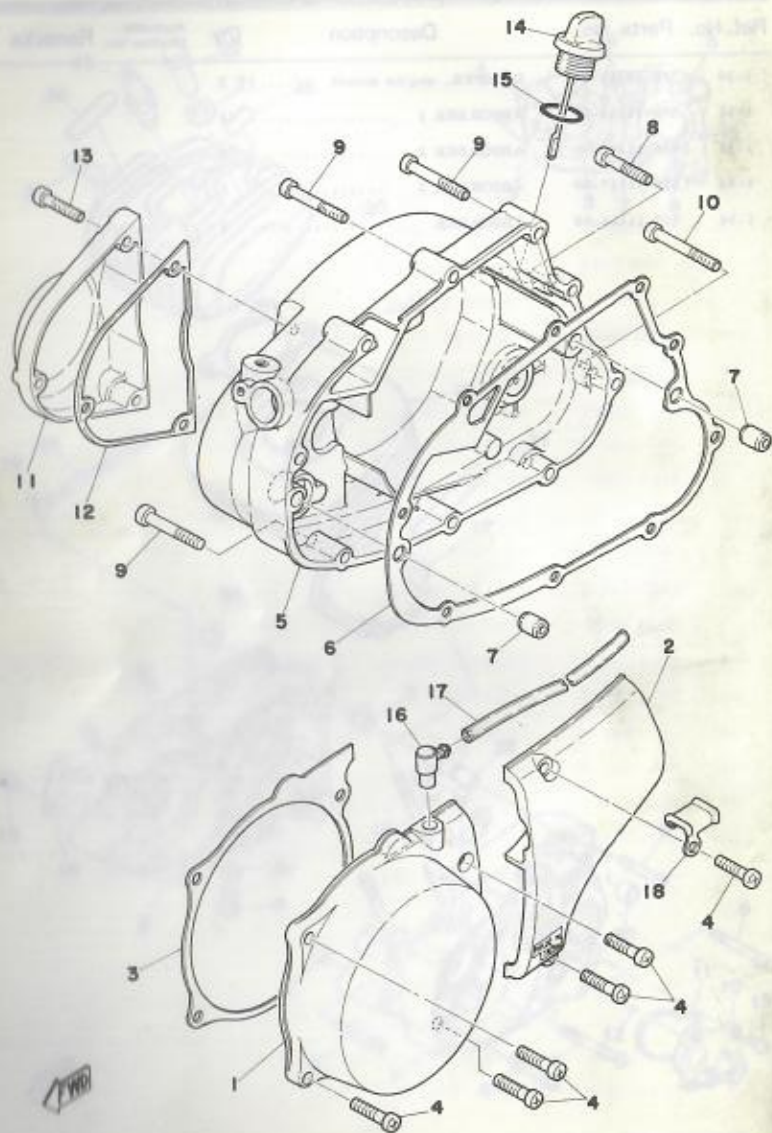


CRANKCASE · CYLINDER

Ref. No.	Parts No.	Description	Qty	Applicable Machine No.	Remarks
1-30	328-15316-00	DAMPER, engine mount	2		
1-31	576-11161-00	ABSORBER 1	10		
1-32	576-11162-00	ABSORBER 2	4		
1-33	576-11127-00	ABSORBER 3	6		
1-34	559-11161-00	ABSORBER	1		



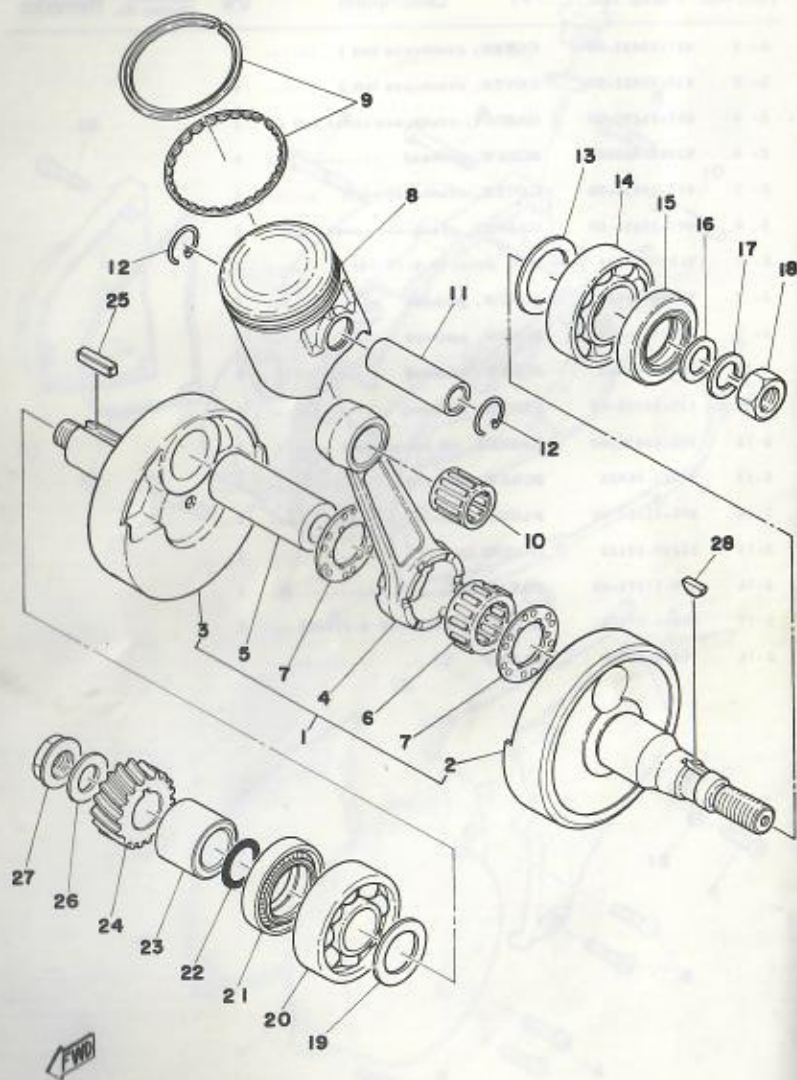
Fig. 2 CRANKCASE COVER



CRANKCASE COVER

Ref. No.	Parts No.	Description	Qty	Applicable Machine No.	Remarks
2- 1	437-15411-00	COVER, crankcase left 1	1		
2- 2	437-15421-00	COVER, crankcase left 2	1		
2- 3	401-15455-00	GASKET, crankcase cover left 1	1		
2- 4	92501-06020	SCREW, panhead	6		
2- 5	437-15431-00	COVER, crankcase right	1		
2- 6	401-15451-00	GASKET, crankcase cover right	1		
2- 7	91810-02015	PIN, dowel (6.4-10-15)	2		
2- 8	92501-06030	SCREW, panhead	3		
2- 9	92501-06040	SCREW, panhead	5		
2-10	92501-06045	SCREW, panhead	1		
2-11	437-15416-00	COVER, oil pump	1		
2-12	402-15456-00	GASKET, oil pump cover	1		
2-13	92501-06025	SCREW, panhead	3		
2-14	401-15362-00	PLUG, oil level	1		
2-15	93210-19123	O-RING (2.4-19)	1		
2-16	498-15371-00	BREATHER	1		
2-17	90445-07176	HOSE (395-24317-00 4.2-200)	1		
2-18	90461-10016	CLAMP	1		

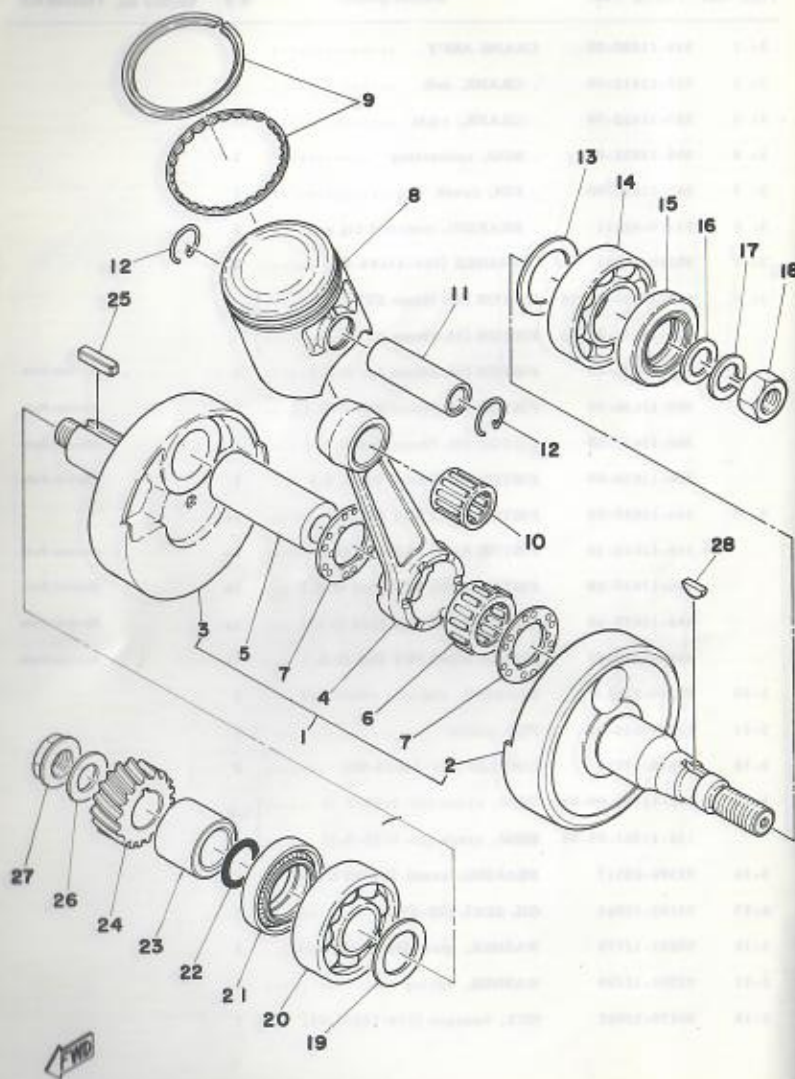
Fig. 3 CRANK · PISTON



CRANK · PISTON

Ref. No.	Parts No.	Description	Q'ty	Applicable Machine No.	Remarks
3- 1	559-11400-00	CRANK ASS'Y	1		
3- 2	537-11412-00	. CRANK, left	1		
3- 3	525-11422-00	. CRANK, right	1		
3- 4	559-11651-00	. ROD, connecting	1		
3- 5	248-11681-00	. PIN, crank	1		
3- 6	93310-42231	. BEARING, con-rod big end	1		
3- 7	90209-22071	. WASHER (164-11685-00)	2		
3- 8	560-11631-00-96	PISTON (55.96mm STD)	1	U.R	
	560-11631-00-98	PISTON (55.98mm STD)	1		
	560-11635-00	PISTON (56.25mm 1st O.S.)	1		Alternate Parts
	560-11636-00	PISTON (56.50mm 2nd O.S.)	1		Alternate Parts
	560-11637-00	PISTON (56.75mm 3rd O.S.)	1		Alternate Parts
	560-11638-00	PISTON (57.00mm 4th O.S.)	1		Alternate Parts
3- 9	444-11610-00	PISTON RING SET (STD)	1s		
	444-11610-10	PISTON RING SET (1st O.S.)	1s		Alternate Parts
	444-11610-20	PISTON RING SET (2nd O.S.)	1s		Alternate Parts
	444-11610-30	PISTON RING SET (3rd O.S.)	1s		Alternate Parts
	444-11610-40	PISTON RING SET (4th O.S.)	1s		Alternate Parts
3-10	93310-216A3	BEARING, con-rod small end	1		
3-11	137-11633-00	PIN, piston	1		
3-12	93450-17025	CIRCLIP (137-11634-00)	2		
3-13	132-11561-00-03	SHIM, crank (25.5-35-0.3)	1	U.R	
	132-11561-00-05	SHIM, crank (25.5-35-0.5)	1		
3-14	93306-20517	BEARING, crank (B6205 C4)	1		
3-15	93102-25061	OIL SEAL (SD-25-40-8)	1		
3-16	90201-12178	WASHER, plate (214-11557-01)	1		
3-17	92901-12100	WASHER, spring	1		
3-18	90170-12067	NUT, hexagon (214-11555-01)	1		

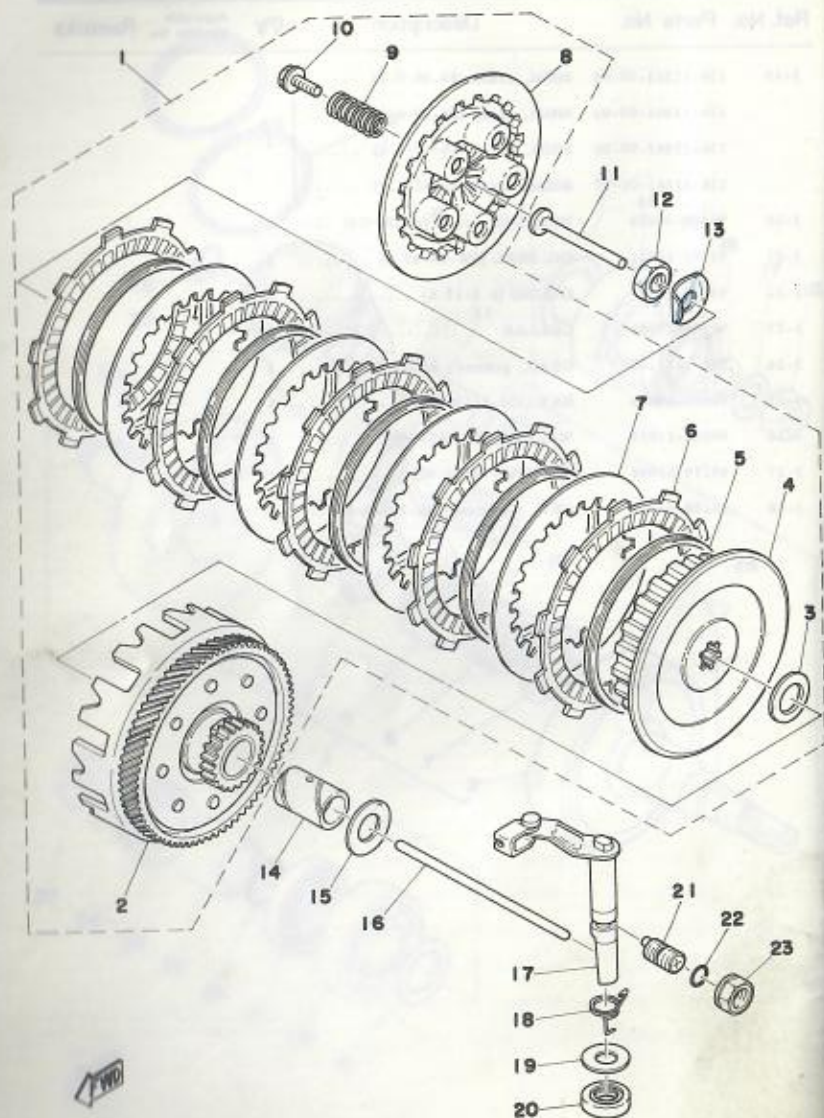
Fig. 3 CRANK · PISTON



CRANK · PISTON

Ref. No.	Parts No.	Description	Q'ty	Applicable Machine No.	Remarks
3-19	136-11561-00-04	SHIM, crank (20-30-0.4) .....	} U.R. 1		
	136-11561-00-05	SHIM, crank (20-30-0.5) .....			
	136-11561-00-06	SHIM, crank (20-30-0.6) .....			
	136-11561-00-07	SHIM, crank (20-30-0.7) .....			
3-20	93306-30405	BEARING, crank (B6304 C3) ....	1		
3-21	93103-28011	OIL SEAL (SW-28-40-8) .....	1		
3-22	93210-18023	O-RING (1.2-17.6) .....	1		
3-23	90387-20488	COLLAR .....	1		
3-24	525-16111-00	GEAR, primary drive (19T) .....	1		
3-25	90282-05005	KEY (353-11546-00) .....	1		
3-26	90208-12015	WASHER (164-16119-00) .....	1		
3-27	90179-12044	NUT (353-16144-00) .....	1		
3-28	90280-03017	KEY, woodruff (146-11545-00) ...	1		

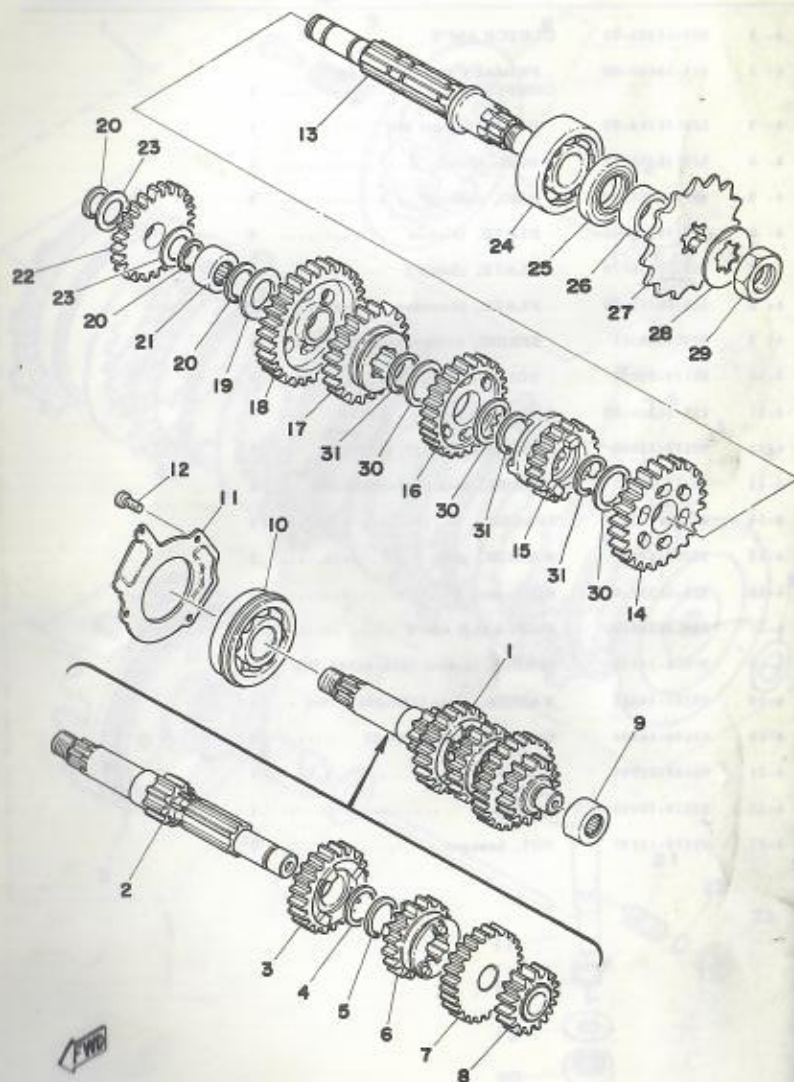
Fig. 4 CLUTCH



CLUTCH

Ref. No.	Parts No.	Description	Q'ty	Applicable Machine No.	Remarks
4-1	559-16301-01	CLUTCH ASS'Y	1		
4-2	525-16150-00	PRIMARY DRIVEN GEAR COMP. (74T)	1		
4-3	122-16164-00	PLATE, thrust left	1		
4-4	525-16371-02	BOSS, clutch	1		
4-5	307-16367-00	RING, cushion	5		
4-6	559-16321-01	PLATE, friction	5		
4-7	137-16325-70	PLATE, clutch 2	4		
4-8	525-16351-00	PLATE, pressure	1		
4-9	90501-20361	SPRING, compression	5		
4-10	90159-05011	BOLT, with washer	5		
4-11	137-16356-00	ROD, push 1	1		
4-12	90170-12060	NUT, hexagon (137-16377-00)	1		
4-13	90215-12007	WASHER, lock (137-16378-00)	1		
4-14	90560-17147	SPACER	1		
4-15	90201-17550	WASHER, plate	1		
4-16	525-16357-00	ROD, push 2	1		
4-17	525-16380-00	PUSH AXLE ASS'Y	1		
4-18	90508-14132	SPRING, torsion (401-16345-00)	1		
4-19	90201-14217	WASHER, plate (150-25153-00)	1		
4-20	93104-14004	OIL SEAL (SO-14-25-5)	1		
4-21	90149-12097	SCREW	1		
4-22	93210-10096	O-RING	1		
4-23	90179-12197	NUT, hexagon	1		

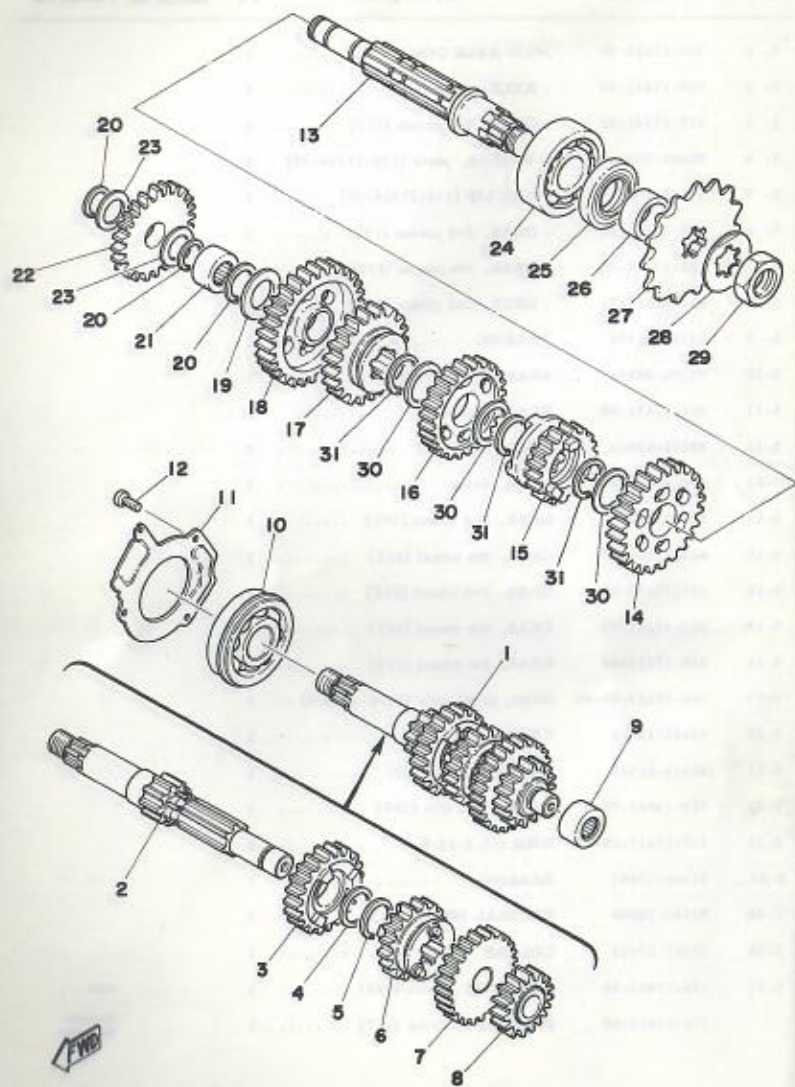
Fig. 5 TRANSMISSION



TRANSMISSION

Ref. No.	Parts No.	Description	Qty	Applicable Machine No.	Remarks
5- 1	559-17410-90	MAIN AXLE COMP. ....	1		
5- 2	559-17411-00	. AXLE, main (11T) .....	1		
5- 3	427-17141-00	. GEAR, 4th pinion (22T) .....	1		
5- 4	90201-20266	. WASHER, plate (132-17216-00)	1		
5- 5	93440-20043	. CIRCLIP (132-17414-00) .....	1		
5- 6	427-17131-00	. GEAR, 3rd pinion (19T) .....	1		
5- 7	427-17151-00	. GEAR, 5th pinion (25T) .....	1		
5- 8	437-17121-01	. GEAR, 2nd pinion (15T) .....	1		
5- 9	93315-31502	BEARING .....	1		
5-10	93306-30414	BEARING (B6304Z) .....	1		
5-11	401-17471-00	PLATE, cover .....	1		
5-12	98501-05012	SCREW, panhead .....	3		
5-13	558-17421-00	AXLE, drive .....	1		
5-14	427-17221-00	GEAR, 2nd wheel (30T) .....	1		
5-15	427-17251-00	GEAR, 5th wheel (22T) .....	1		
5-16	427-17231-00	GEAR, 3rd wheel (26T) .....	1		
5-17	265-17241-00	GEAR, 4th wheel (24T) .....	1		
5-18	248-17211-00	GEAR, 1st wheel (35T) .....	1		
5-19	164-17427-00-06	SHIM, drive axle (15.6-30-0.6) ..	1		
5-20	93440-15012	CIRCLIP (8-15) .....	3		
5-21	93311-31515	BEARING (15-25-12) .....	1		
5-22	525-15651-00	GEAR, kick idle (25T) .....	1		
5-23	137-17417-00-05	SHIM (15.5-22-0.5) .....	2		
5-24	93306-30401	BEARING .....	1		
5-25	93102-26042	OIL SEAL (SD-26-38-5) .....	1		
5-26	90387-20491	COLLAR .....	1		
5-27	174-17461-50	SPROCKET, drive (15T) .....	1		STD
	174-17461-60	SPROCKET, drive (16T) .....	1		Exclusive for France

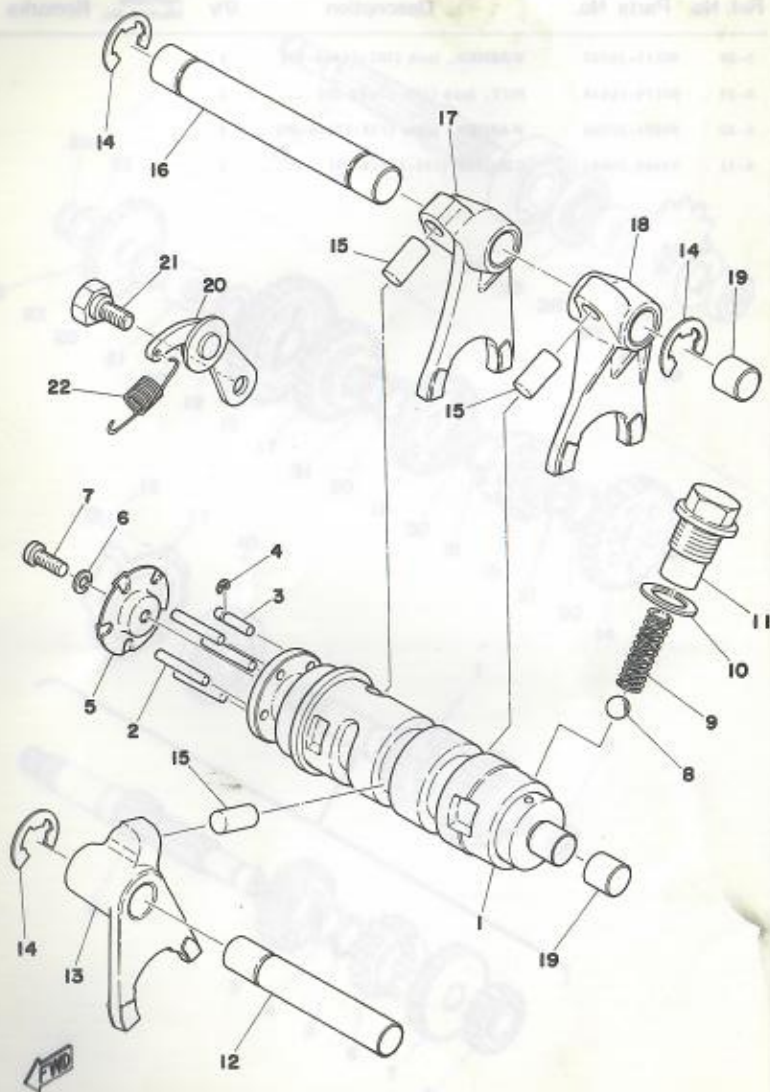
Fig. 5 TRANSMISSION



TRANSMISSION

Ref. No.	Parts No.	Description	Q'ty	Applicable Machine No.	Remarks
5-28	90215-16020	WASHER, lock (102-17464-00) ...	1		
5-29	90179-16018	NUT, lock (102-17463-00) .....	1		
5-30	90201-20266	WASHER, plate (132-17216-00) ..	3		
5-31	93440-20043	CIRCLIP (132-17414-00) .....	3		

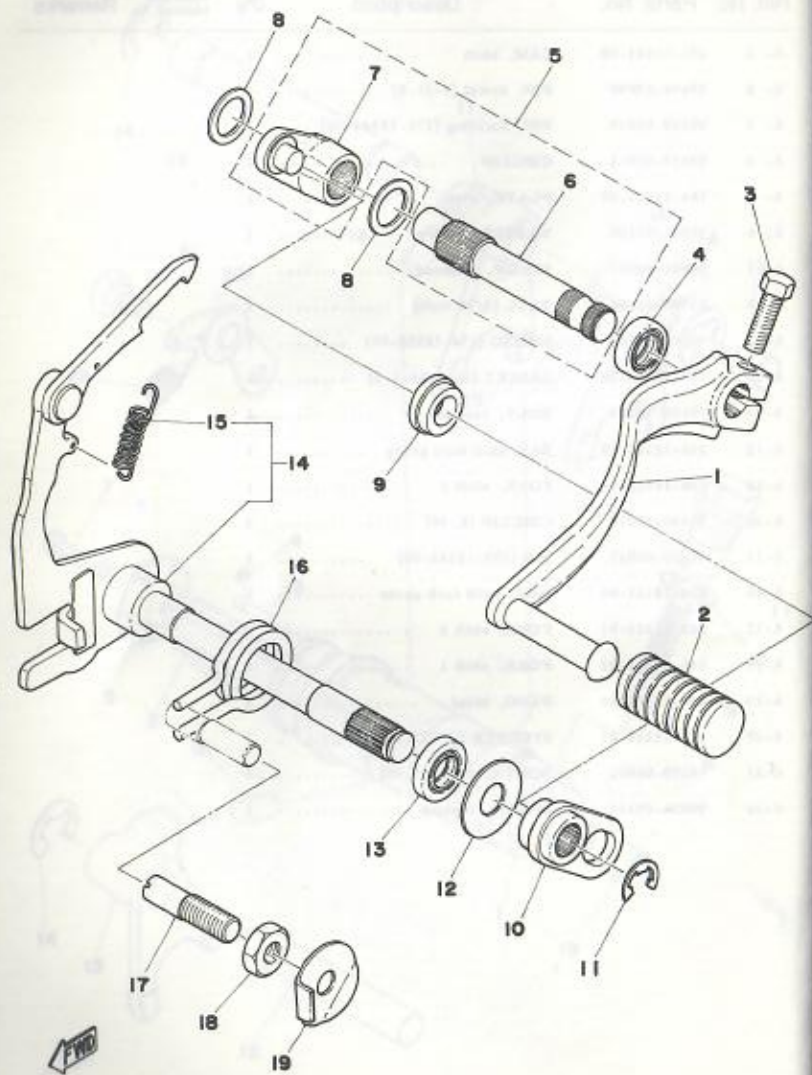
Fig. 6 SHIFTER 1



SHIFTER 1

Ref. No.	Parts No.	Description	Q'ty	Applicable Machine No.	Remarks
6- 1	401-18541-00	CAM, shift	1		
6- 2	93604-22050	PIN, dowel (4-21.8)	4		
6- 3	90249-04039	PIN, locating (174-18544-00)	1		
6- 4	93430-03014	CIRCLIP	1		
6- 5	164-18561-00	PLATE, side	1		
6- 6	92901-05100	WASHER, spring	1		
6- 7	98501-05012	SCREW, panhead	1		
6- 8	93505-16006	BALL (5/16 inch)	1		
6- 9	90501-12083	SPRING (174-18558-00)	1		
6-10	137-15351-00	GASKET (14.5-21-1.5)	1		
6-11	90109-14385	BOLT, hexagon	1		
6-12	248-18531-00	BAR, shift fork guide	1		
6-13	248-18512-01	FORK, shift 2	1		
6-14	93430-10017	CIRCLIP (E-10)	3		
6-15	90250-08017	PIN (278-18552-00)	3		
6-16	214-18531-00	BAR, shift fork guide	1		
6-17	248-18513-01	FORK, shift 3	1		
6-18	248-18511-02	FORK, shift 1	1		
6-19	214-15385-00	PLUG, blind	2		
6-20	132-18140-01	STOPPER LEVER ASS'Y	1		
6-21	90109-06001	BOLT (132-18177-00)	1		
6-22	90506-09112	SPRING, tension	1		

Fig. 7 SHIFTER 2

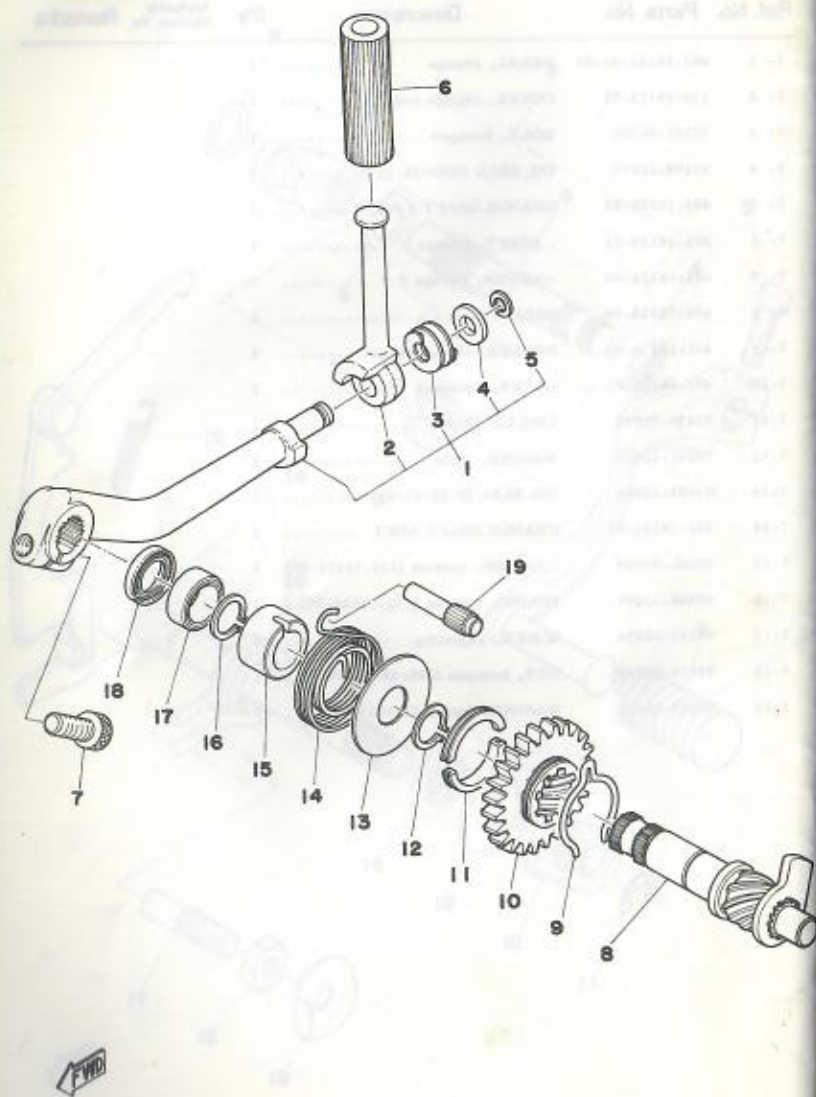


SHIFTER 2

Ref. No.	Parts No.	Description	Q'ty	Applicable Machine No.	Remarks
7- 1	401-18111-01-93	PEDAL, change	1		
7- 2	132-18113-01	COVER, change pedal	1		
7- 3	97321-06020	BOLT, hexagon	1		
7- 4	93109-12012	OIL SEAL (SDO-12-19-5)	1		
7- 5	401-18102-00	CHANGE SHAFT 2 ASS'Y	1		
7- 6	401-18155-01	. SHAFT, change 2	1		
7- 7	401-18151-00	. LEVER, change 3	1		
7- 8	401-18334-00	SHIM	2		
7- 9	401-18178-00	ROLLER, change lever	1		
7-10	401-18152-01	LEVER, change 4	1		
7-11	93430-08006	CIRCLIP (E-8)	1		
7-12	90201-12575	WASHER, plate	1		
7-13	93101-12060	OIL SEAL (S-12-21-4)	1		
7-14	401-18101-01	CHANGE SHAFT ASS'Y	1		
7-15	90506-09009	. SPRING, tension (132-18123-00)	1		
7-16	90508-32207	SPRING, torsion (132-18124-00)	1		
7-17	90149-08094	SCREW, adjusting	1		
7-18	90170-08029	NUT, hexagon (248-18134-00)	1		
7-19	90215-08014	WASHER, lock (248-18139-00)	1		



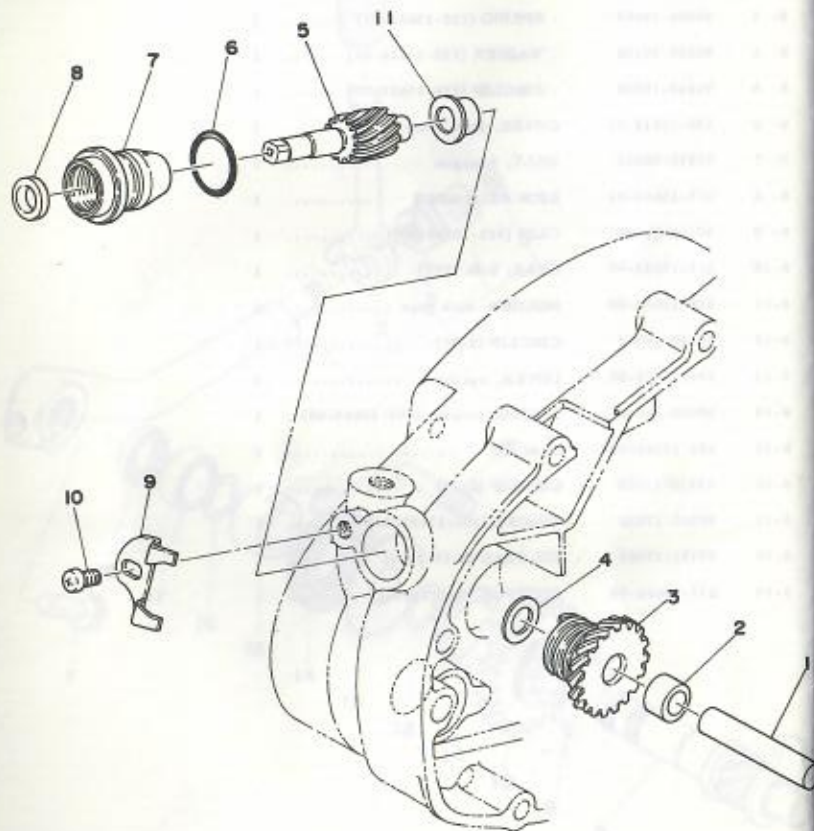
Fig. 8 KICK STARTER



KICK STARTER

Ref. No.	Parts No.	Description	Q'ty	Applicable Machine No.	Remarks
8- 1	437-15610-01-93	KICK CRANK ASS'Y	1		
8- 2	122-15612-02	LEVER, kick 1	1		
8- 3	90504-18005	SPRING (132-15625-01)	1		
8- 4	90209-10108	WASHER (132-15616-01)	1		
8- 5	93440-10028	CIRCLIP (132-15617-00)	1		
8- 6	156-15618-01	COVER, kick lever	1		
8- 7	91316-08025	BOLT, hexagon	1		
8- 8	401-15660-01	KICK AXLE ASS'Y	1		
8- 9	90468-26048	CLIP (315-15687-00)	1		
8-10	315-15641-00	GEAR, kick (27T)	1		
8-11	248-15654-00	HOLDER, kick gear	2		
8-12	93410-30012	CIRCLIP (S-30)	1		
8-13	401-15676-00	COVER, spring	1		
8-14	90508-26041	SPRING, torsion (401-15665-00)	1		
8-15	401-15666-00	SPACER	1		
8-16	93410-17008	CIRCLIP (S-17)	1		
8-17	90560-17032	SPACER (401-15683-00)	1		
8-18	93101-17062	OIL SEAL (S-17-25-4)	1		
8-19	257-15668-00	STOPPER, kick spring	1		

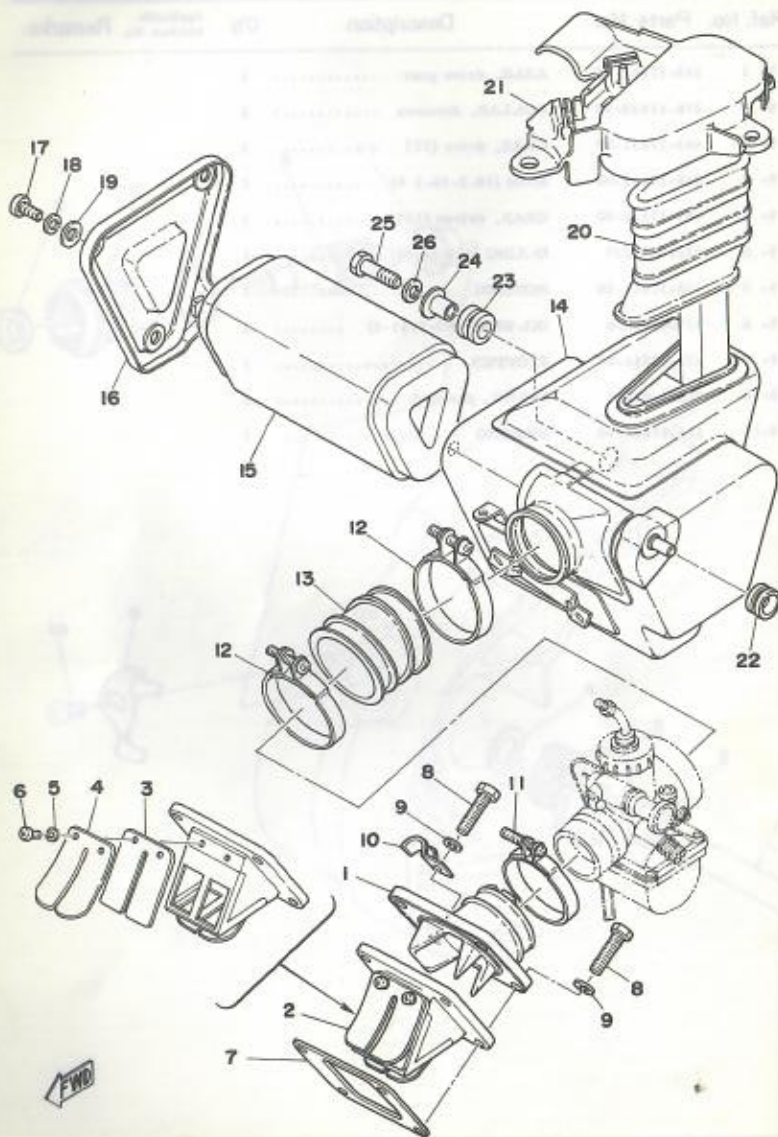
Fig. 9 TACHOMETER GEAR



TACHOMETER GEAR

Ref. No.	Parts No.	Description	Q'ty	Applicable Machine No.	Remarks
9- 1	248-17861-00	AXLE, drive gear	1		
9- 2	276-17839-10	COLLAR, distance	1		
9- 3	443-17831-00	GEAR, drive (3T)	1		
9- 4	248-17837-00	SHIM (10.2-16-1.0)	1		
9- 5	443-17841-00	GEAR, driven (15T)	1		
9- 6	93210-17239	O-RING (2.0-16.5)	1		
9- 7	438-17811-00	HOUSING	1		
9- 8	93104-07036	OIL SEAL (SO-7-13-4)	1		
9- 9	438-17812-00	STOPPER	1		
9-10	92501-06010	SCREW, panhead	1		
9-11	214-17843-00	BUSHING	1		

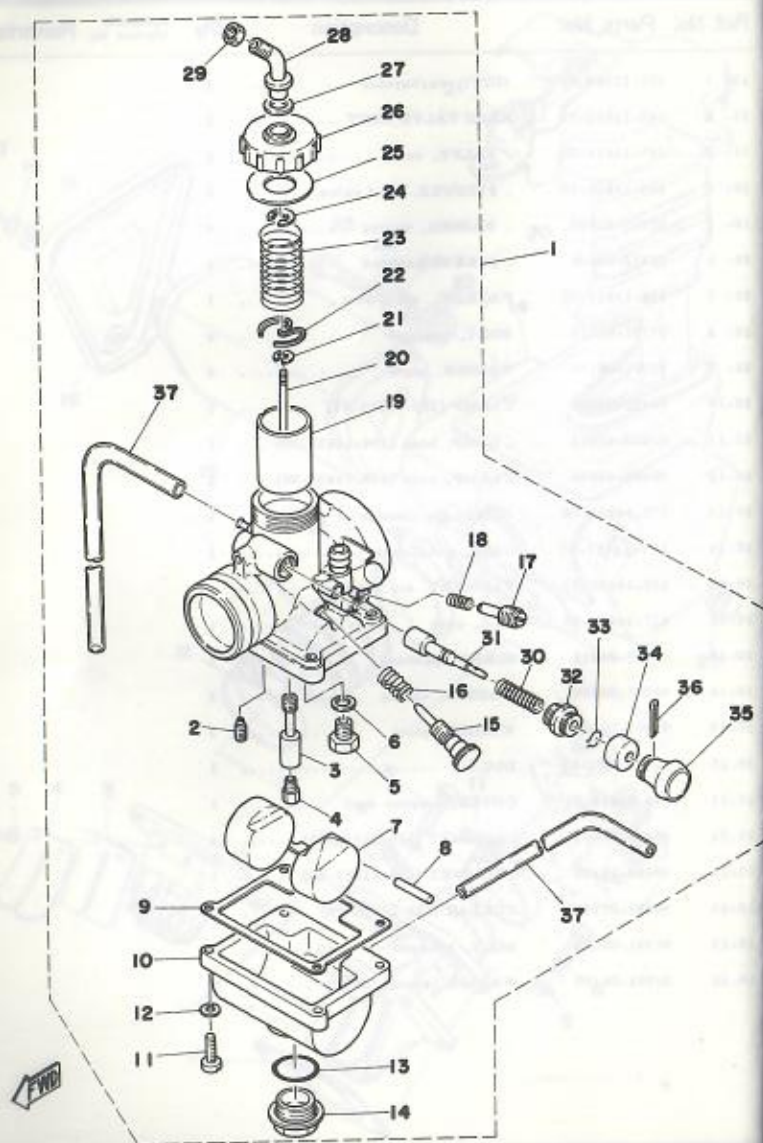
Fig. 10 INTAKE



INTAKE

Ref. No.	Parts No.	Description	Qty	Applicable Machine No.	Remarks
10- 1	401-13365-00	JOINT, carburetor	1		
10- 2	345-13610-70	REED VALVE ASS'Y	1		
10- 3	345-13613-70	. VALVE, reed	2		
10- 4	345-13616-70	. STOPPER, reed valve	2		
10- 5	92901-03100	. WASHER, spring	4		
10- 6	98512-03008	. SCREW, panhead	4		
10- 7	314-13621-02	PACKING, valve seat	1		
10- 8	97301-06025	BOLT, hexagon	4		
10- 9	92901-06100	WASHER, plate	4		
10-10	90462-05005	CLAMP (363-15485-01)	1		
10-11	90460-43053	CLAMP, hose (304-14455-70)	1		
10-12	90460-49058	CLAMP, hose (278-14455-00)	2		
10-13	437-14453-00	JOINT, air cleaner	1		
10-14	1F9-14411-00	CASE, air cleaner	1		
10-15	437-14451-01	ELEMENT, air cleaner	1		
10-16	437-14412-00	CAP, case	1		
10-17	92501-06012	SCREW, panhead	3		
10-18	92901-06100	WASHER, spring	3		
10-19	92901-06600	WASHER, plate	3		
10-20	1F9-14437-00	DUCT	1		
10-21	558-14418-01	COVER, cleaner duct	1		
10-22	90480-10091	GROMMET (214-21746-00)	1		
10-23	90480-14102	GROMMET (214-21717-00)	1		
10-24	90387-07391	COLLAR (437-21633-00)	1		
10-25	97301-06025	BOLT, hexagon	1		
10-26	92901-06100	WASHER, spring	1		

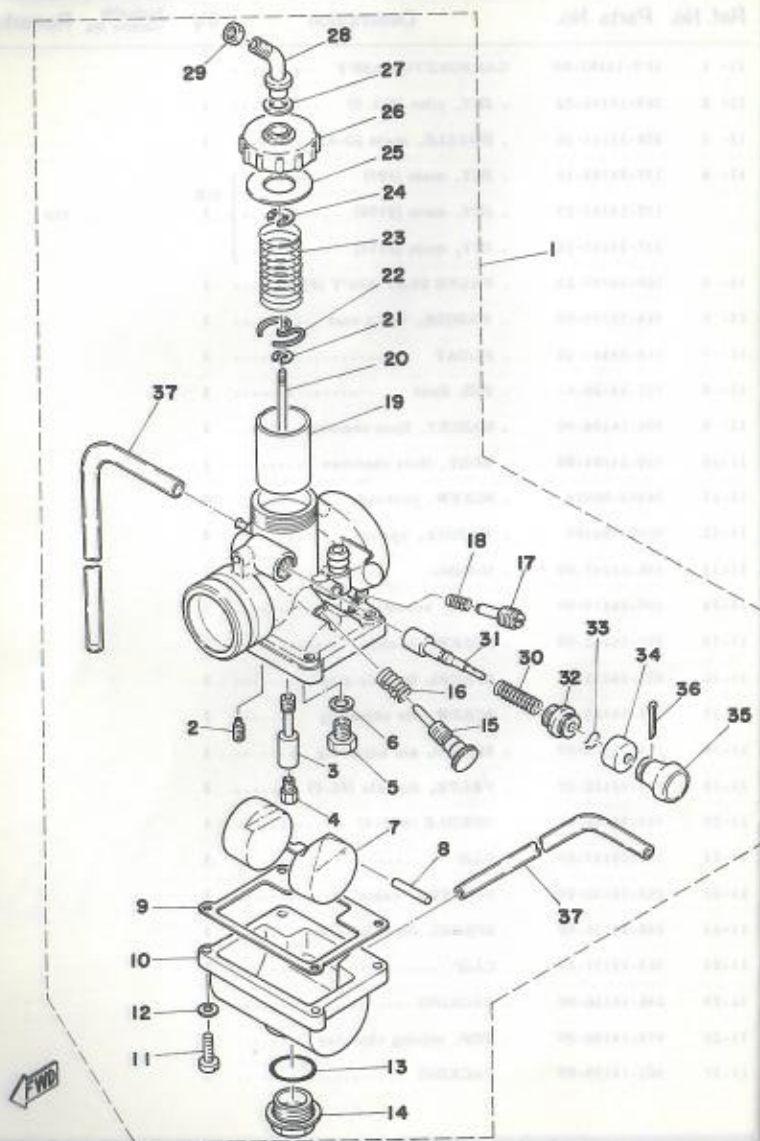
Fig. 11 CARBURETOR



CARBURETOR

Ref. No.	Parts No.	Description	Q'ty	Applicable Machine No.	Remarks
11- 1	1F9-14101-00	CARBURETOR ASS'Y	1		
11- 2	260-14142-22	. JET, pilot (#22.5)	1		
11- 3	558-14141-36	. NOZZLE, main (O-6)	1		
11- 4	137-14143-18	. JET, main (#90)	1	U.R.	STD
	137-14143-20	. JET, main (#100)			
	137-14143-22	. JET, main (#110)			
11- 5	168-14190-25	. VALVE SEAT ASS'Y (#1.8)	1		
11- 6	214-14195-00	. WASHER, valve seat	1		
11- 7	314-14185-00	. FLOAT	1		
11- 8	137-14186-01	. PIN, float	1		
11- 9	304-14184-00	. GASKET, float chamber	1		
11-10	539-14181-00	. BODY, float chamber	1		
11-11	98502-04014	. SCREW, panhead	4		
11-12	92901-04100	. WASHER, spring	4		
11-13	558-14147-00	. O-RING	1		
11-14	500-14115-00	. PLUG, screw	1		
11-15	493-14122-00	. SCREW, throttle	1		
11-16	493-14135-00	. SPRING, throttle stop	1		
11-17	174-14123-00	. SCREW, air adjusting	1		
11-18	174-14134-00	. SPRING, air adjusting	1		
11-19	314-14112-20	. VALVE, throttle (#2.0)	1		
11-20	443-14116-02	. NEEDLE (4G2-2)	1		
11-21	164-14137-00	. CLIP	1		
11-22	246-14132-00	. STOPPER, cable	1		
11-23	248-14131-00	. SPRING, throttle valve	1		
11-24	363-14137-00	. CLIP	1		
11-25	246-14126-00	. PACKING	1		
11-26	578-14158-00	. TOP, mixing chamber	1		
11-27	363-14198-00	. PACKING	1		

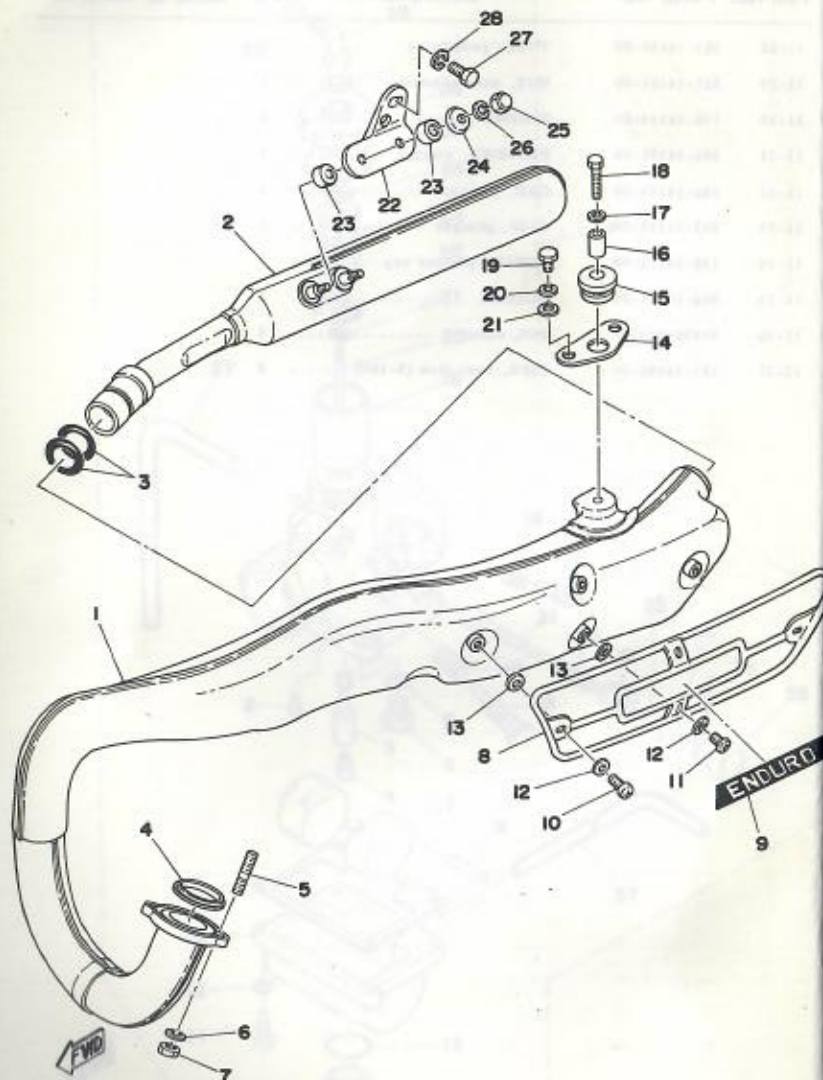
Fig. 11 CARBURETOR



CARBURETOR

Ref. No.	Parts No.	Description	Q'ty	Applicable Machine No.	Remarks
11-28	363-14155-00	TUBE, guide wire	1		
11-29	127-14161-00	NUT, wire adjusting	1		
11-30	156-14135-00	SPRING, plunger	1		
11-31	304-14171-00	PLUNGER, starter	1		
11-32	152-14174-00	CAP, plunger	1		
11-33	353-14138-00	CLIP, plunger	1		
11-34	132-14173-00	COVER, plunger cap	1		
11-35	304-14261-00	HOLDER	1		
11-36	91401-16015	PIN, cotter	1		
11-37	183-14196-00	PIPE, over flow (5-160)	2		

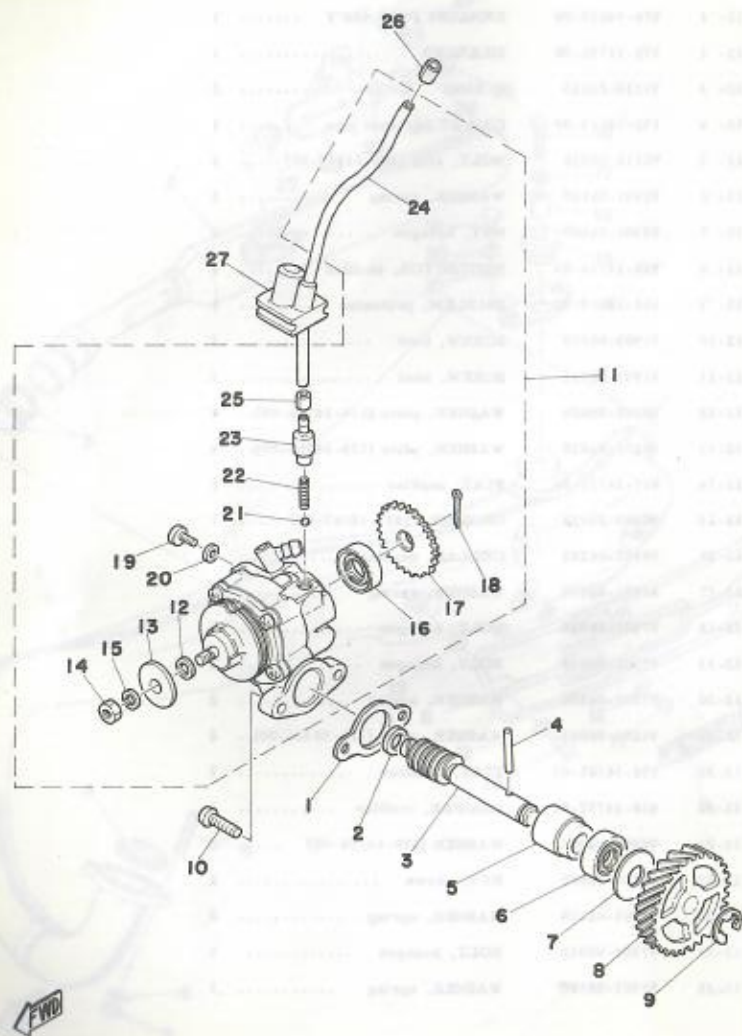
Fig. 12 EXHAUST



EXHAUST

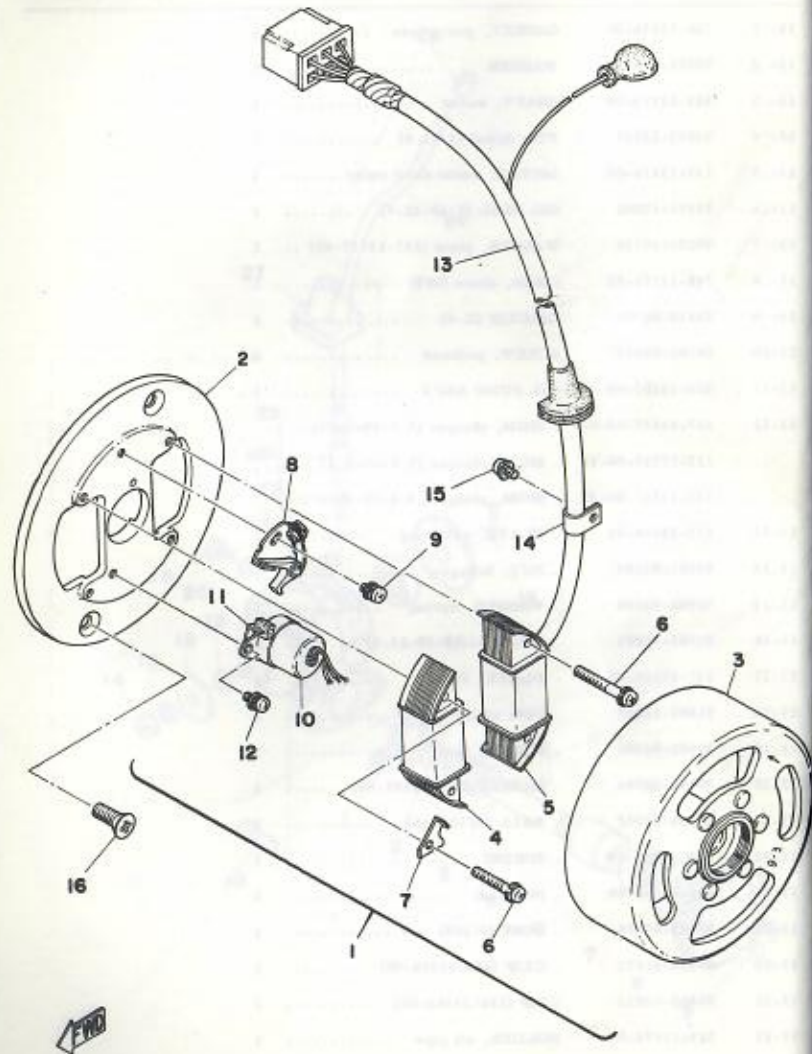
Ref. No.	Parts No.	Description	Q'ty	Applicable Machine No.	Remarks
12- 1	578-14610-00	EXHAUST PIPE ASS'Y	1		
12- 2	578-14753-00	SILENCER	1		
12- 3	93210-24235	O-RING	2		
12- 4	152-14613-00	GASKET, exhaust pipe	1		
12- 5	90116-06016	BOLT, stud (306-11179-00)	2		
12- 6	92901-06100	WASHER, spring	2		
12- 7	95301-06600	NUT, hexagon	2		
12- 8	558-14718-00	PROTECTOR, muffler	1		
12- 9	558-14729-00	EMBLEM, protector	1		
12-10	91903-06030	SCREW, bind	1		
12-11	91903-06012	SCREW, bind	3		
12-12	90202-05005	WASHER, plate (214-14766-00)	4		
12-13	90202-06010	WASHER, plate (178-14766-00)	4		
12-14	437-14771-00	STAY, muffler	1		
12-15	90480-20132	GROMMET (437-14747-00)	1		
12-16	90387-08242	COLLAR, muffler	1		
12-17	92901-08100	WASHER, spring	1		
12-18	97301-08035	BOLT, hexagon	1		
12-19	97301-06018	BOLT, hexagon	2		
12-20	92901-06100	WASHER, spring	2		
12-21	90201-06067	WASHER, plate (116-28324-00)	2		
12-22	558-14781-01	STAY, silencer	1		
12-23	438-14757-00	DAMPER, muffler	4		
12-24	90209-06061	WASHER (438-14759-00)	2		
12-25	95301-06800	NUT, crown	2		
12-26	92901-06100	WASHER, spring	2		
12-27	97301-08012	BOLT, hexagon	1		
12-28	92901-08100	WASHER, spring	1		

Fig. 13 OIL PUMP



Ref. No.	Parts No.	Description	Q'ty	Applicable Machine No.	Remarks
13-1	126-13116-00	GASKET, pump case	1		
13-2	90201-08559	WASHER	1		
13-3	559-13175-00	SHAFT, worm	1		
13-4	93603-22028	PIN, dowel (3-21.8)	1		
13-5	137-13176-00	METAL, worm shaft outer	1		
13-6	93101-10002	OIL SEAL (S-10-22-7)	1		
13-7	90201-10138	WASHER, plate (257-13177-00)	1		
13-8	248-13178-00	GEAR, drive (28T)	1		
13-9	93430-08006	CIRCLIP (E-8)	1		
13-10	98501-05015	SCREW, panhead	2		
13-11	525-13101-00	OIL PUMP ASS'Y	1		
13-12	137-13137-00-05	SHIM, plunger (5.8-10-0.05)	1	UR	1
	137-13137-00-10	SHIM, plunger (5.8-10-0.1)			
	137-13137-00-30	SHIM, plunger (5.8-10-0.3)			
13-13	137-13138-01	PLATE, adjusting	1		
13-14	95301-05600	NUT, hexagon	1		
13-15	92901-05100	WASHER, spring	1		
13-16	93101-10001	OIL SEAL (S-10-21-5)	1		
13-17	137-13128-00	PLATE, starter	1		
13-18	91401-12018	PIN, cotter	1		
13-19	98901-04008	SCREW, blind	1		
13-20	90430-04004	GASKET (137-13187-00)	1		
13-21	93505-32002	BALL (5/32 inch)	1		
13-22	278-13169-00	SPRING	1		
13-23	402-13552-00	NOZZLE	1		
13-24	90445-05278	HOSE (3-200)	1		
13-25	90468-02033	CLIP (214-13164-00)	1		
13-26	90468-02033	CLIP (214-13164-00)	1		
13-27	525-13174-00	HOLDER, oil pipe	1		

Fig. 14 FLYWHEEL MAGNETO



FLYWHEEL MAGNETO

Ref. No.	Parts No.	Description	Q'ty	Applicable Machine No.	Remarks
14- 1	594-81300-20	FLYWHEEL MAGNETO ASS'Y ..	1		
14- 2	594-81309-20	. BASE, magneto .....	1		
14- 3	437-81350-20	. ROTOR ASS'Y .....	1		
14- 4	437-81312-70	. COIL, source .....	1		
14- 5	594-81313-20	. LIGHTING COIL ASS'Y .....	1		
14- 6	110-81348-21	. SCREW, panhead (4-25) .....	4		
14- 7	92901-04100	. WASHER, spring .....	7		
14- 8	437-81321-20	. CONTACT BREAKER ASS'Y ...	1		
14- 9	110-81346-21	. SCREW, panhead (4-10) .....	1		
14-10	511-81325-20	. CONDENSER .....	1		
14-11	116-81331-20	. LUBRICATOR .....	1		
14-12	110-81346-21	. SCREW, panhead (4-10) .....	1		
14-13	437-81315-70	. LEAD WIRE ASS'Y .....	1		
14-14	104-81328-20	. CLAMP, lead .....	1		
14-15	110-81345-21	. SCREW, panhead (4-6) .....	1		
14-16	92701-06012	. SCREW, flathead .....	2		

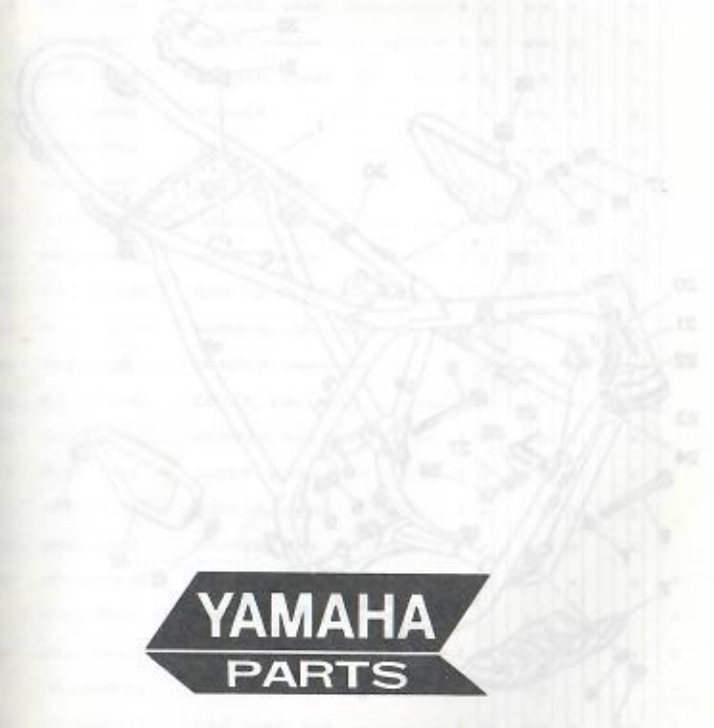




Part No.	Part Name	Description	QTY	Notes
----------	-----------	-------------	-----	-------

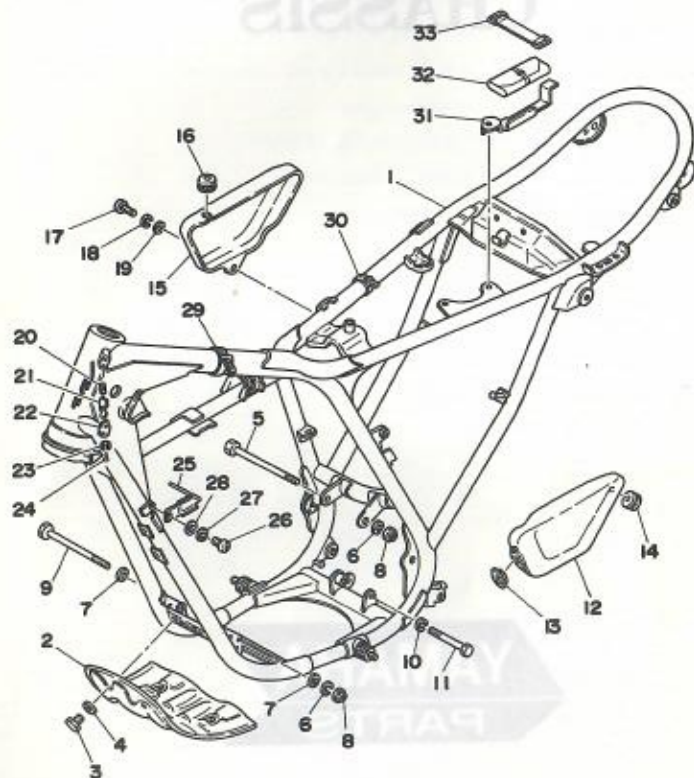


# CHASSIS



**YAMAHA**  
**PARTS**

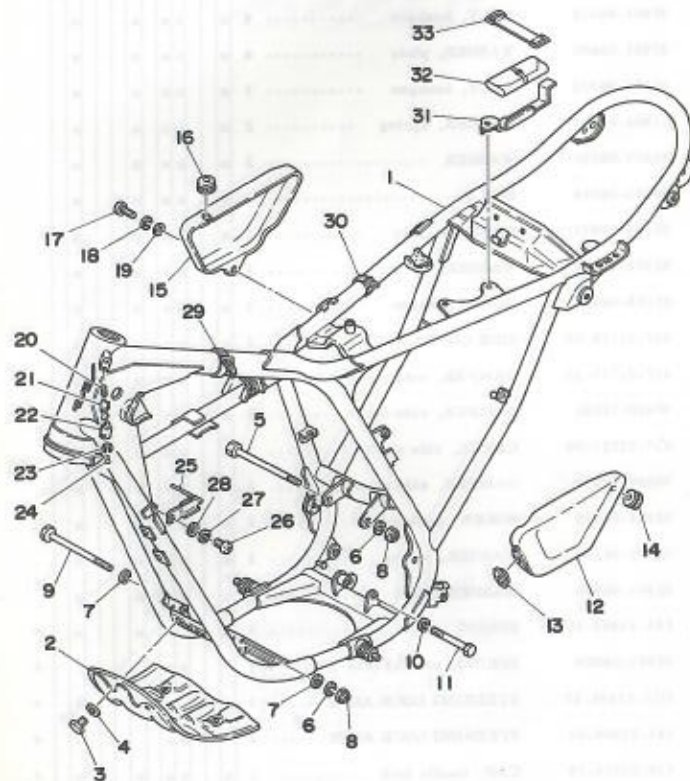
Fig. 15 FRAME · SIDE COVER



FRAME · SIDE COVER

Ref. No.	Parts No.	Description	Q'ty	FRANCE	IRELAND	NETHERLANDS	SPAIN	SWITZERLAND	GERMANY	FRANCE	IRELAND	NETHERLANDS	SPAIN	SWITZERLAND	GERMANY	Remarks
15-1	1F9-21110-81-33	FRAME COMP. ....	1													Yamaha Black
	1F9-21110-90-33	FRAME COMP. ....	1	x												Yamaha Black
15-2	401-21471-00-33	PROTECTOR, engine ....	1	x												Yamaha Black
15-3	97301-06012	BOLT, hexagon ....	4	x												
15-4	92901-06600	WASHER, plate ....	4	x												
15-5	90105-08022	BOLT, hexagon ....	1	x												
15-6	92901-08100	WASHER, spring ....	2	x												
15-7	90209-08050	WASHER ....	2	x												
15-8	90185-08054	NUT U ....	2	x												
15-9	90105-10037	BOLT, hexagon ....	1	x												
15-10	92901-10100	WASHER, spring ....	1	x												
15-11	90105-08024	BOLT, hexagon ....	1	x												
15-12	437-21710-00	SIDE COVER ASS'Y ....	1	x												
15-13	437-21717-10	DAMPER, side cover ....	1	x												
15-14	90480-12053	DAMPER, side cover ....	1	x												
15-15	437-21721-00	COVER, side right ....	1	x												
15-16	90480-12053	DAMPER, side cover ....	1	x												
15-17	92501-06015	SCREW, panhead ....	1	x												
15-18	92901-06100	WASHER, spring ....	1	x												
15-19	92901-06600	WASHER, plate ....	1	x												
15-20	134-23485-10	SPRING ....	1	x												*
	90502-08005	SPRING, conical (214-23485-00)	1					x	x							*
15-21	1G1-23408-10	STEERING LOCK ASS'Y ....	1	x												*
	341-23408-01	STEERING LOCK ASS'Y ....	1						x	x						*
15-22	134-23484-10	CAP, handle lock ....	1	x												*
15-23	90206-04003	WASHER, wave (214-23488-00)	1	x												*
15-24	90269-04003	RIVET (214-23483-00) ....	1	x												*
15-25	559-26393-00	HOLDER, wire ....	1	x												
15-26	92501-05010	SCREW, panhead ....	2	x												

Fig. 15 FRAME · SIDE COVER

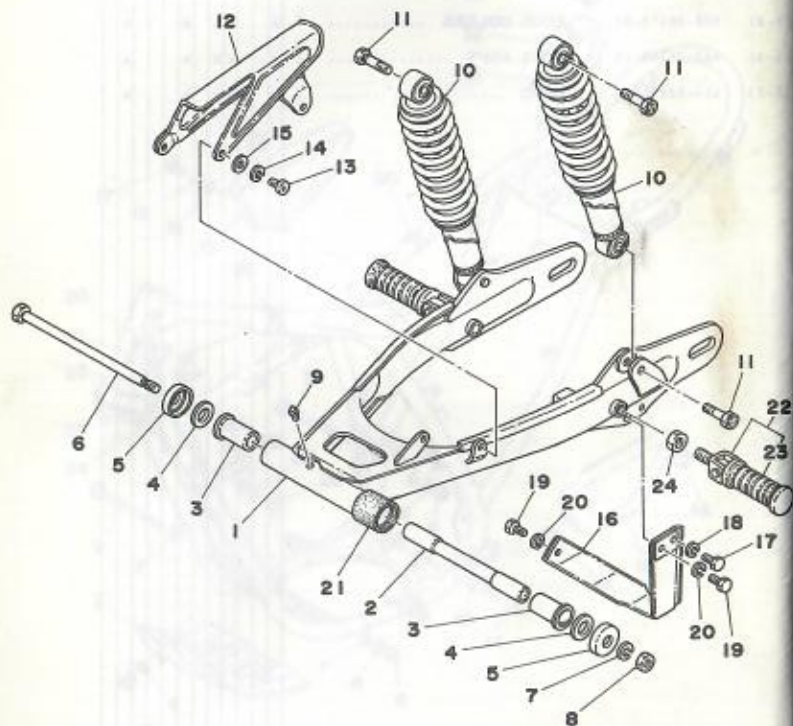


FWD

FRAME · SIDE COVER

Ref. No.	Parts No.	Description	Q'ty												Remarks	
				FRANCE	HOLLAND	GERMANY	SWITZERLAND	NETHERLANDS	SWEDEN	FINLAND	DENMARK	NORWAY	AUSTRIA	ENGLAND		ITALY
15-27	92901-05100	WASHER, spring .....	2	x		x	x	x							x	
15-28	92901-05600	WASHER, plate .....	2	x		x	x	x							x	
15-29	341-26397-01	BAND .....	1	x		x	x	x							x	
15-30	437-83936-10	BAND, switch cord .....	1	x		x	x	x							x	
15-31	558-28175-01	TOOL HOLDER .....	1	x		x	x	x							x	
15-32	443-28100-10	TOOL ASS'Y .....	1	x		x	x	x							x	
15-33	116-82131-00	BAND .....	1	x		x	x	x							x	

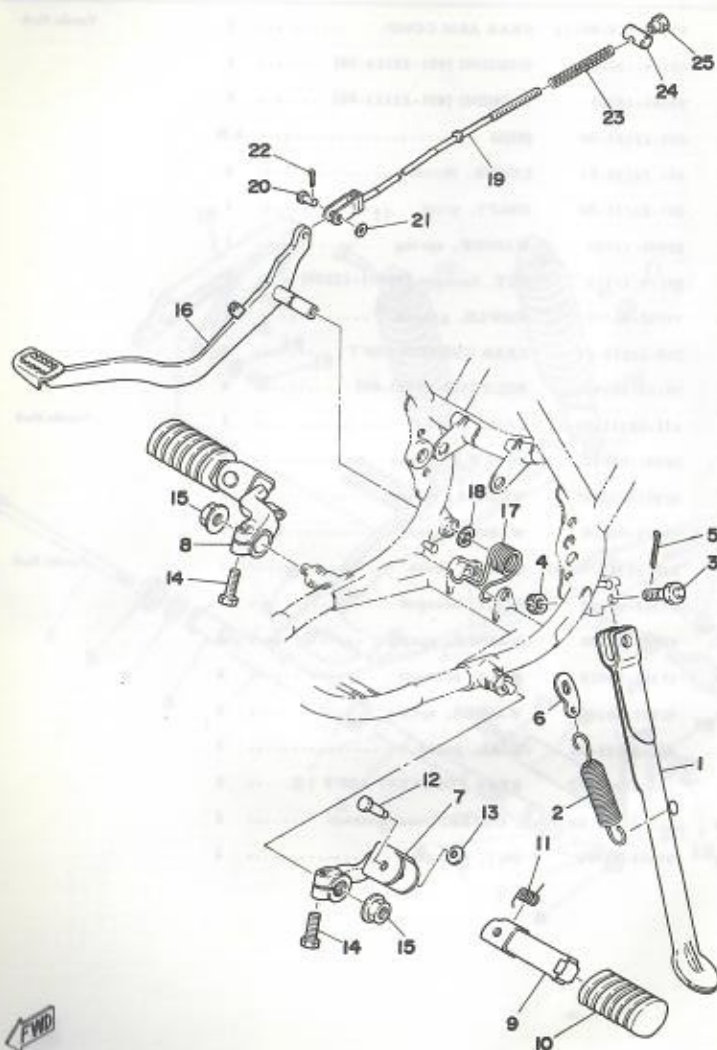
Fig. 16 REAR ARM · REAR CUSHION · CHAIN CASE



REAR ARM · REAR CUSHION · CHAIN CASE

Ref. No.	Parts No.	Description	Qty	Applicable Machine No.	Remarks
16-1	559-22110-00-33	REAR ARM COMP. ....	1		Yamaha Black
16-2	90389-12002	BUSHING (401-22124-00) ....	1		
16-3	90386-18028	BUSHING (401-22123-00) ....	2		
16-4	401-22127-00	SHIM .....	U.N		
16-5	401-22128-01	COVER, thrust .....	2		
16-6	401-22141-00	SHAFT, pivot .....	1		
16-7	92901-12100	WASHER, spring .....	1		
16-8	90170-12175	NUT, hexagon (98801-12200) ....	1		
16-9	93700-06005	NIPPLE, grease .....	1		
16-10	558-22210-01	REAR CUSHION ASS'Y .....	2		
16-11	90109-10195	BOLT (401-22241-00) .....	4		
16-12	437-22311-02-33	CASE, chain .....	1		Yamaha Black
16-13	98501-05010	SCREW, panhead .....	3		
16-14	92901-05100	WASHER, spring .....	3		
16-15	92901-05600	WASHER, plate .....	3		
16-16	248-22318-00-33	GUARD, chain .....	1		Yamaha Black
16-17	97301-06018	BOLT, hexagon .....	1		
16-18	92901-06100	WASHER, spring .....	1		
16-19	97301-08018	BOLT, hexagon .....	2		
16-20	92901-08100	WASHER, spring .....	2		
16-21	443-22151-00	SEAL, guard .....	1		
16-22	120-27430-02	REAR FOOTREST ASS'Y .....	2		
16-23	120-27433-00	COVER, rear footrest .....	2		
16-24	95301-12700	NUT, hexagon .....	2		

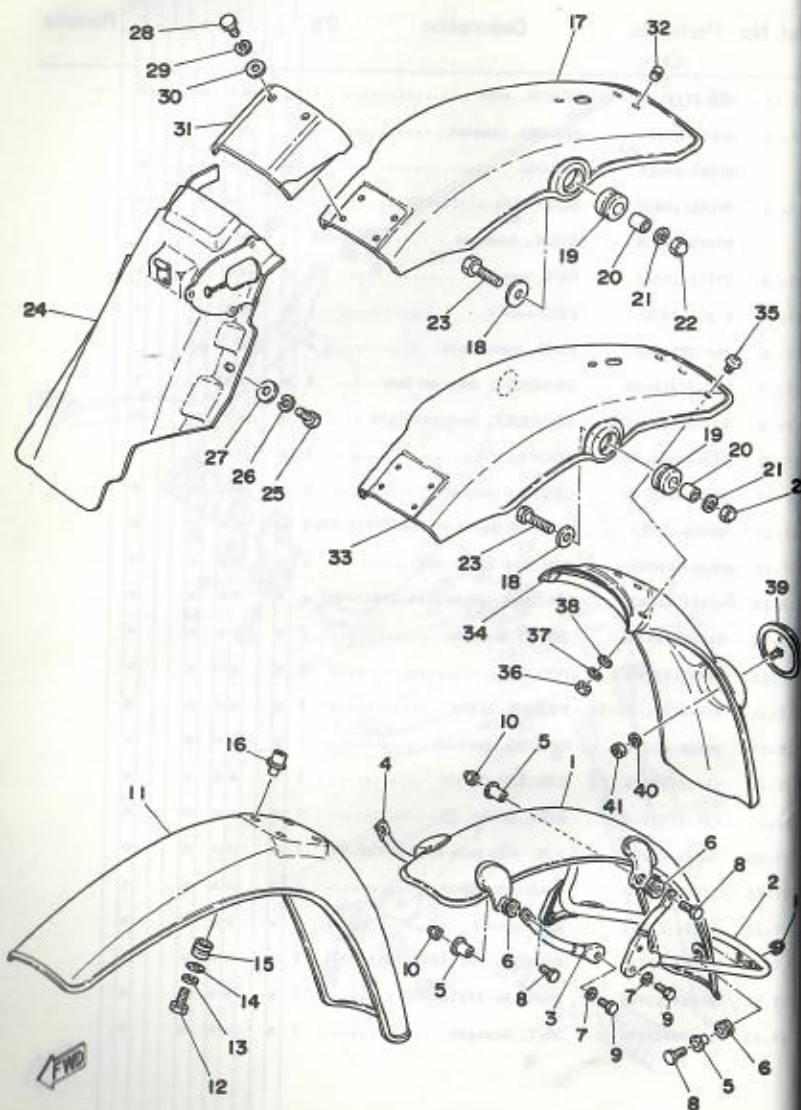
Fig. 17 STAND · FOOTREST · BRAKE PEDAL



STAND · FOOTREST · BRAKE PEDAL

Ref. No.	Parts No.	Description	Q'ty	COUNTRY OF ORIGIN											Remarks
				FRANCE	HOLLAND	SPAIN	SWITZERLAND	GERMANY	ITALY	ENGLAND	INDONESIA	INDIA	THAILAND	PHILIPPINES	
17-1	458-27311-00	STAND, side	1	x	x	x	x	x	x	x	x	x	x	x	
17-2	90507-29019	SPRING, tension	1				x								
	90507-29021	SPRING	1	x			x	x	x						
17-3	90102-10006	BOLT (278-27317-00)	1	x			x	x	x						
	90109-10339	BOLT, hexagon	1				x								
17-4	90171-10012	NUT, castle	1	x			x	x	x						
17-5	91401-20025	PIN, cotter	1	x			x	x	x						
17-6	458-27315-00	LINK, side stand	1				x								
17-7	437-27412-00	BRACKET, footrest left	1	x			x	x	x						
17-8	437-27422-00	BRACKET, footrest right	1	x			x	x	x						
17-9	214-27421-00	FOOTREST	2	x			x	x	x						
17-10	214-27413-00	COVER, footrest	2	x			x	x	x						
17-11	90508-20023	SPRING, torsion (214-27426-00)	2	x			x	x	x						
17-12	90243-08006	PIN (214-27418-00)	2	x			x	x	x						
17-13	90201-06042	WASHER, plate (214-27417-00)	2	x			x	x	x						
17-14	97101-08025	BOLT, hexagon	2	x			x	x	x						
17-15	95701-12100	NUT	2	x			x	x	x						
17-16	558-27211-00-33	PEDAL, brake	1	x			x	x	x						
17-17	90508-45290	SPRING, torsion	1	x			x	x	x						
17-18	91430-10015	CIRCLIP (E-10)	1	x			x	x	x						
17-19	248-27231-00	ROD, brake	1	x			x	x	x						
17-20	90240-06006	PIN, with hole (248-27228-00)	1	x			x	x	x						
17-21	92901-06200	WASHER, plain	1	x			x	x	x						
17-22	91401-25012	PIN, cotter	1	x			x	x	x						
17-23	90501-10245	SPRING, rod (180-27236-00)	1	x			x	x	x						
17-24	90249-12008	PIN (156-27237-00)	1	x			x	x	x						
17-25	90179-06176	NUT, hexagon	1	x			x	x	x						

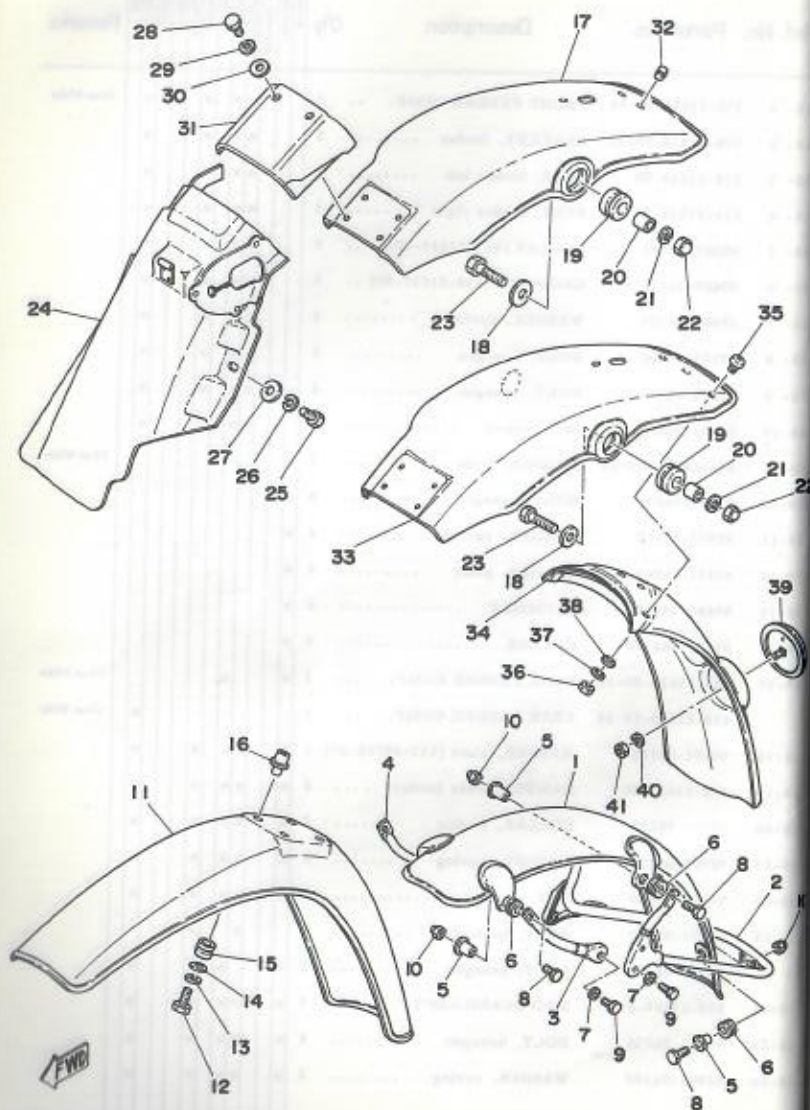
Fig. 18 FRONT FENDER · REAR FENDER



FRONT FENDER · REAR FENDER

Ref. No.	Parts No.	Description	Qty	FINLAND	FRANCE	GERMANY	ITALY	JAPAN	NETHERLANDS	NORWAY	SPAIN	SWEDEN	SWITZERLAND	UNITED KINGDOM	USA	REMARKS
18-1	308-21510-00-36	FRONT FENDER COMP. . . . .	1			X	X	X								Clean White
18-2	308-21512-00-93	BRACKET, fender . . . . .	1			X	X	X								
18-3	214-21513-00	STAY, fender left . . . . .	1			X	X	X								
18-4	214-21514-00	STAY, fender right . . . . .	1			X	X	X								
18-5	90387-07391	COLLAR (437-21633-00) . . . . .	5			X	X	X								
18-6	90480-14102	GROMMET (214-21717-00) . . . . .	5			X	X	X								
18-7	92901-06100	WASHER, spring . . . . .	4			X	X	X								
18-8	97301-06020	BOLT, hexagon . . . . .	5			X	X	X								
18-9	97301-06020	BOLT, hexagon . . . . .	4			X	X	X								
18-10	95301-06800	NUT, crown . . . . .	5			X	X	X								
18-11	453-21511-01-36	FENDER, front . . . . .	1	X												Clean White
18-12	97301-06035	BOLT, hexagon . . . . .	4	X												
18-13	92901-06100	WASHER, spring . . . . .	4	X												
18-14	90201-06067	WASHER, plate . . . . .	4	X												
18-15	90480-14198	GROMMET . . . . .	4	X												
18-16	558-21544-00	COLLAR . . . . .	4	X												
18-17	437-21610-00-36	REAR FENDER COMP. . . . .	1	X							X					Clean White
	458-21610-30-36	REAR FENDER COMP. . . . .	1												X	Clean White
18-18	90201-08113	WASHER, plate (611-48536-30) . . . . .	2	X		X	X	X								
18-19	168-21639-00	DAMPER, rear fender . . . . .	2	X		X	X	X								
18-20	90387-08258	COLLAR, fender . . . . .	2	X		X	X	X								
18-21	92901-08100	WASHER, spring . . . . .	2	X		X	X	X								
18-22	95301-08800	NUT, crown . . . . .	2	X		X	X	X								
18-23	97301-08030	BOLT, hexagon . . . . .	2			X		X								
	97301-08035	BOLT, hexagon . . . . .	2	X			X									
18-24	558-21620-01	MUD GUARD ASS'Y . . . . .	1	X		X	X	X								
18-25	97301-06015	BOLT, hexagon . . . . .	2	X		X	X	X								
18-26	92901-06100	WASHER, spring . . . . .	2	X		X	X	X								

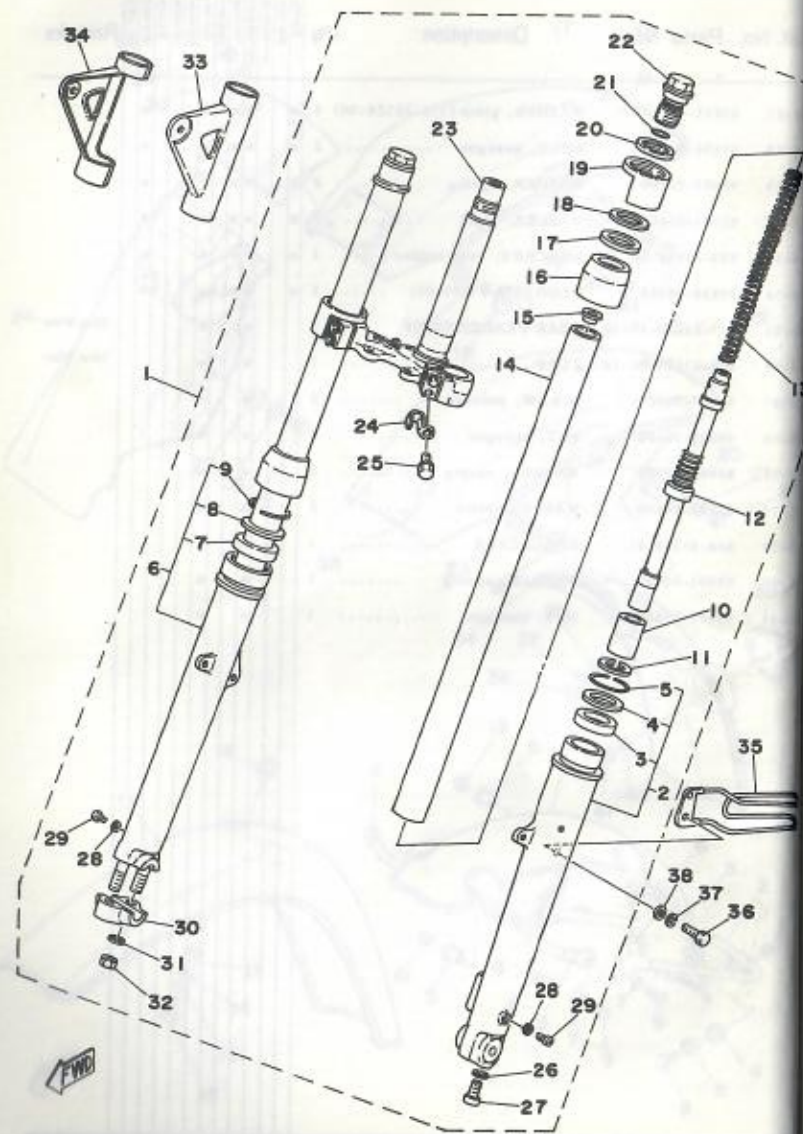
Fig. 18 FRONT FENDER · REAR FENDER



FRONT FENDER · REAR FENDER

Ref. No.	Parts No.	Description	Q'ty	FRANCE	HOLLAND	SPAIN	SWITZERLAND	WEST GERMANY	NETHERLANDS	FINLAND	SWEDEN	BELGIUM	AUSTRIA	ENGLAND	IRELAND	Remarks
18-27	90201-06067	WASHER, plate (116-28324-00)	2	x	x	x	x	x	x	x	x	x	x	x		
18-28	97301-06015	BOLT, hexagon	2	x	x	x	x	x	x	x	x	x	x	x		
18-29	92901-06100	WASHER, spring	2	x	x	x	x	x	x	x	x	x	x	x		
18-30	92901-06600	WASHER, plate	2	x	x	x	x	x	x	x	x	x	x	x		
18-31	559-21612-00	BRACKET, rear fender	1	x	x	x	x	x	x	x	x	x	x	x		
18-32	90338-05056	PLUG (378-21279-00)	2	x	x	x	x	x	x	x	x	x	x	x		
18-33	437-21610-10-36	REAR FENDER COMP.	1				x	x	x							Clean White
18-34	456-21621-00-36	FLAP	1				x	x	x							Clean White
18-35	92501-06020	SCREW, panhead	2	x	x	x	x	x	x	x	x	x	x	x		
18-36	90301-06600	NUT, hexagon	2	x	x	x	x	x	x	x	x	x	x	x		
18-37	92901-06100	WASHER, spring	2	x	x	x	x	x	x	x	x	x	x	x		
18-38	92901-06600	WASHER, plate	2	x	x	x	x	x	x	x	x	x	x	x		
18-39	848-85131-01	REFLECTOR	1				x	x	x							
18-40	92901-05100	WASHER, spring	1	x	x	x	x	x	x	x	x	x	x	x		
18-41	93301-05400	NUT, hexagon	1	x	x	x	x	x	x	x	x	x	x	x		

Fig. 19 FRONT FORK

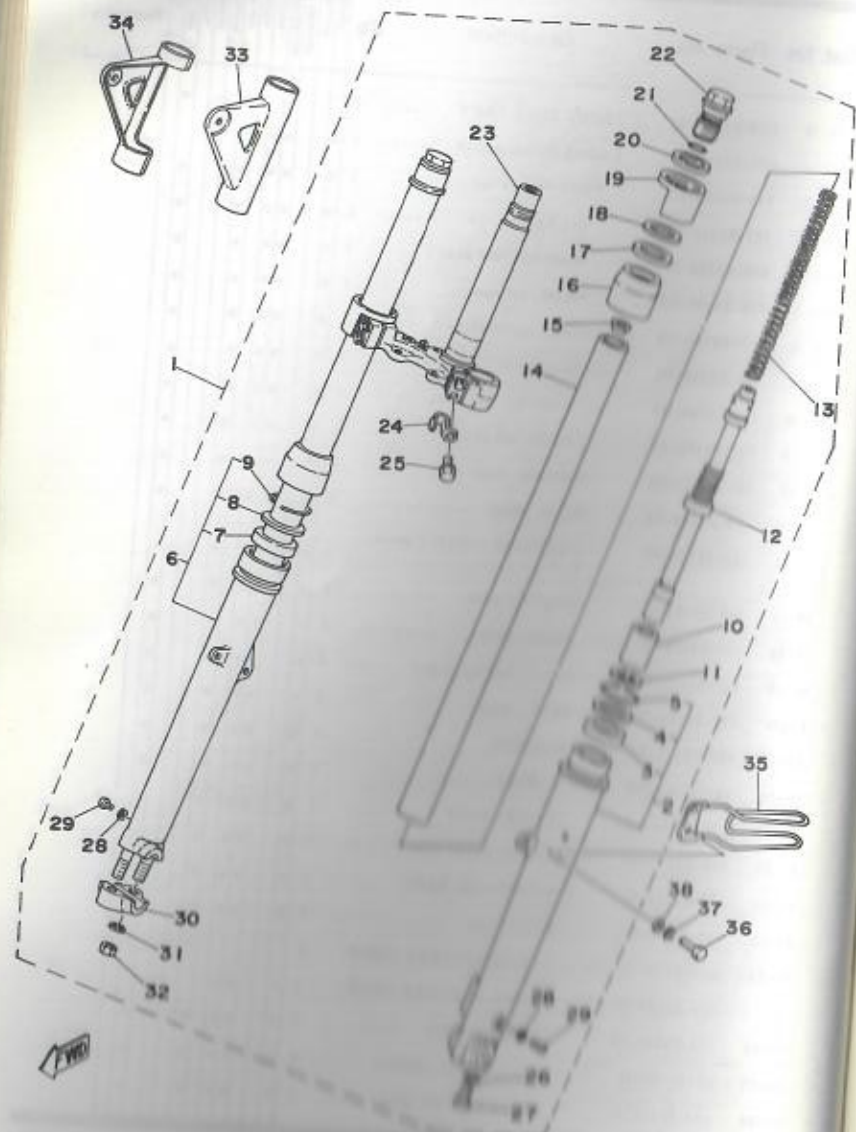


FRONT FORK

Ref. No.	Parts No.	Description	Q'ty	FRANCE	HOLLAND	WEST GERMANY	SWITZERLAND	SPAIN	IRELAND	NETHERLANDS	FINLAND	DENMARK	GERMANY	AUSTRIA	ENGLAND	ITALY	Remarks
19-1	1G1-23101-40	FRONT FORK ASS'Y	1														
	576-23101-00	FRONT FORK ASS'Y	1	x													
19-2	315-23126-50	. TUBE, outer left	1	x													
19-3	137-23145-01	. . OIL SEAL	1	x													
19-4	315-23146-50	. . WASHER, oil seal	1	x													
19-5	315-23156-50	. . CLIP, oil seal	1	x													
19-6	315-23136-50	. TUBE, outer right	1	x													
19-7	137-23145-01	. . OIL SEAL	1	x													
19-8	315-23146-50	. . WASHER, oil seal	1	x													
19-9	315-23156-50	. . CLIP, oil seal	1	x													
19-10	335-23171-00	. PISTON, front fork	2	x													
19-11	335-23183-01	. RING, snap	2	x													
19-12	325-23170-00	. CYLINDER COMP., front fork	2	x													
19-13	339-23141-00	. SPRING, fork	2	x													
19-14	345-23124-00	. TUBE, inner	2	x													
19-15	437-23117-01	. SEAT, spring upper	2	x													
19-16	348-23144-00	. SEAL, dust	2	x													
19-17	437-23165-00	. PACKING	2	x													
19-18	437-23161-00	. WASHER	2	x													
19-19	394-23122-50	. COVER, outer	2	x													
19-20	348-23115-01	. GUIDE, cover upper	2	x													
19-21	346-23114-00	. PACKING (O-RING)	2	x													
19-22	346-23111-01	. BOLT, cap	2	x													
19-23	101-23340-00-33	. UNDER BRACKET COMP.	1														
	333-23340-00-33	. UNDER BRACKET COMP.	1	x													
19-24	314-23318-00	. HOLDER, wire	1	x													
19-25	90119-98012	. BOLT, under bracket	4	x													
19-26	314-23158-00	. GASKET, drain plug	2	x													



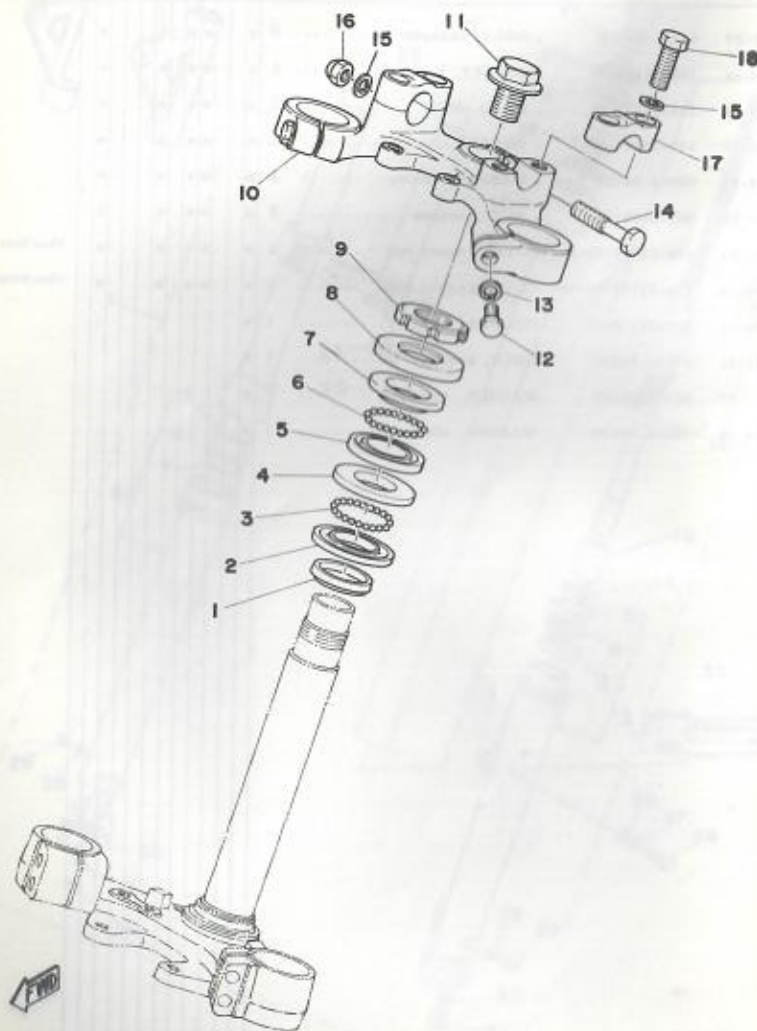
Fig. 19 FRONT FORK



FRONT FORK

Ref. No.	Parts No.	Description	Qty	COUNTRY											REMARKS			
				FRANCE	GERMANY	NETHERLANDS	SPAIN	SWITZERLAND	USA	UK	INDONESIA	THAILAND	INDONESIA	INDONESIA				
19-27	91511-08020	. BOLT, hexagon	2	x														
19-28	122-23129-00	. GASKET, drain plug	2	x														
19-29	122-23119-01	. PLUG, drain	2	x														
19-30	315-23167-50	. HOLDER	1	x														
19-31	92901-08100	. WASHER, spring	2	x														
19-32	90170-06176	. NUT, hexagon	2	x														
19-33	438-23121-00-36	COVER, upper left	1	x														Clean White
19-34	438-23131-00-36	COVER, upper right	1	x														Clean White
19-35	437-23318-00	HOLDER, wire	1	x														
19-36	97301-06018	BOLT, hexagon	1	x														
19-37	92901-06100	WASHER, spring	1	x														
19-38	92901-06600	WASHER, plate	1	x														

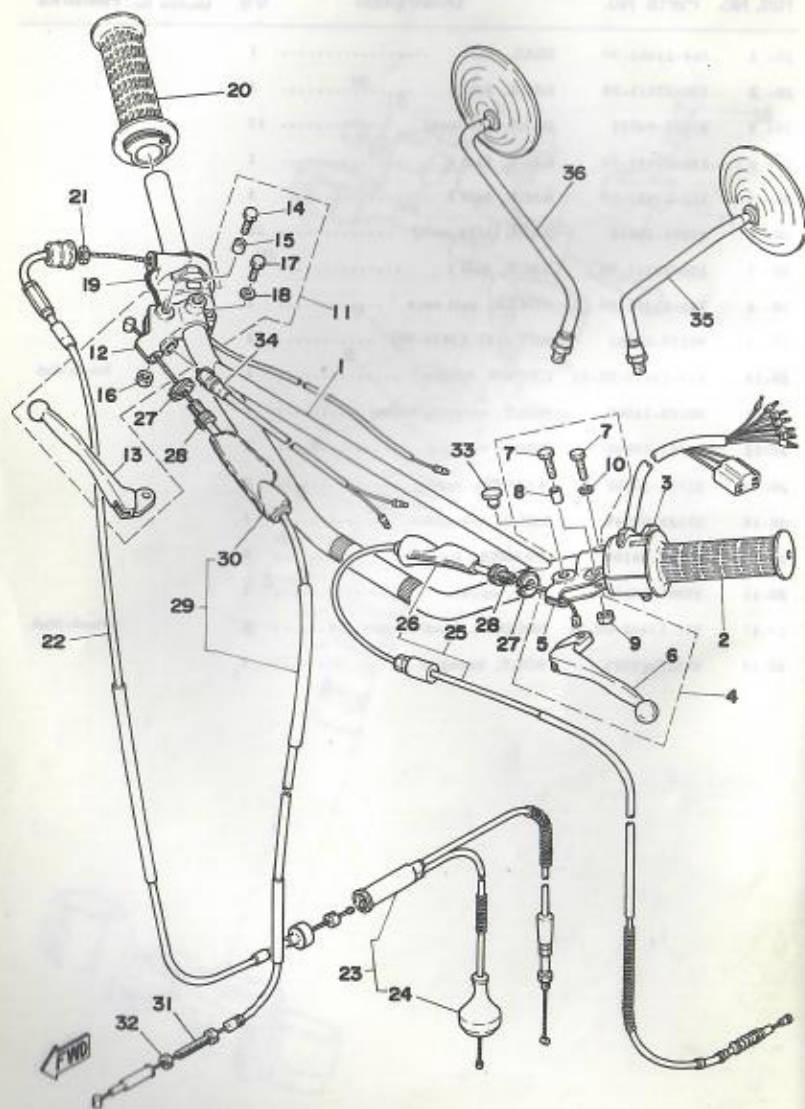
Fig. 20 STEERING



STEERING

Ref. No.	Parts No.	Description	Q'ty	Applicable Machine No.	Remarks
20- 1	164-23462-00	SEAL, dust	1		
20- 2	156-23411-00	RACE, ball 1	1		
20- 3	93501-04011	BALL (1/4 inch)	19		
20- 4	156-23412-00	RACE, ball 2	1		
20- 5	122-23412-00	RACE, ball 2	1		
20- 6	93503-16010	BALL (3/16 inch)	22		
20- 7	122-23411-00	RACE, ball 1	1		
20- 8	122-23416-00	COVER, ball race	1		
20- 9	90179-25033	NUT (137-23454-00)	1		
20-10	443-23435-00-33	CROWN, handle	1		Yamaha Black
20-11	90105-14060	BOLT, steering fitting	1		
20-12	97303-10030	BOLT, hexagon	2		
20-13	92901-10100	WASHER, spring	2		
20-14	97323-08045	BOLT, hexagon	1		
20-15	92901-08100	WASHER, spring	5		
20-16	95303-08800	NUT, crown	1		
20-17	315-23441-00-33	HOLDER, handle upper	2		Yamaha Black
20-18	97323-08025	BOLT, hexagon	4		

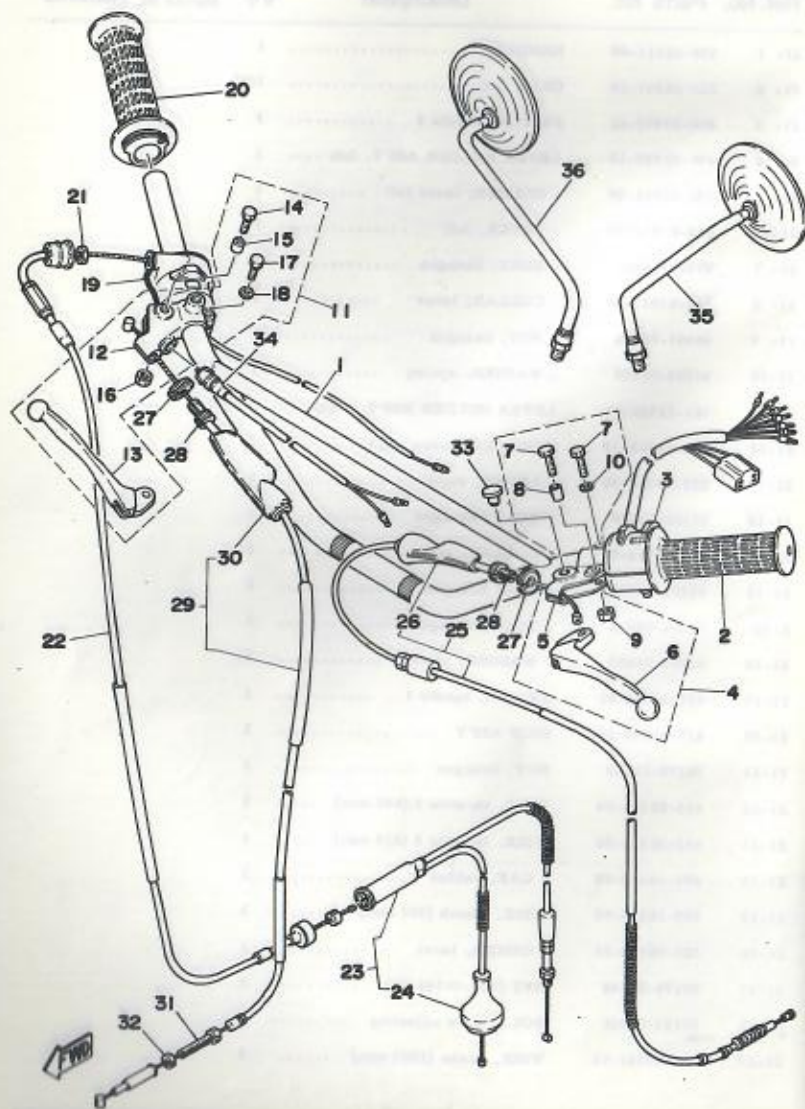
Fig. 21 HANDLE · WIRE



HANDLE · WIRE

Ref. No.	Parts No.	Description	Q'ty	Applicable Machine No.	Remarks
21- 1	558-26111-00	HANDLE	1		
21- 2	214-26241-20	GRIP, left	1		
21- 3	456-83972-42	SWITCH, handle 4	1		
21- 4	498-82910-10	LEVER HOLDER ASS'Y, left	1		
21- 5	498-82911-00	. HOLDER, lever left	1		
21- 6	214-83912-00	. LEVER, left	1		
21- 7	97301-06020	. BOLT, hexagon	2		
21- 8	214-83913-00	. COLLAR, lever	1		
21- 9	95301-06700	. NUT, hexagon	1		
21-10	92903-06100	. WASHER, spring	1		
21-11	361-82920-91	LEVER HOLDER ASS'Y, right	1		
21-12	361-82921-31	. HOLDER, lever right	1		
21-13	233-83922-30	. LEVER, right	1		
21-14	97301-06020	. BOLT, hexagon	1		
21-15	214-83913-00	. COLLAR, lever	1		
21-16	95301-06700	. NUT, hexagon	1		
21-17	97301-06022	. BOLT, hexagon	1		
21-18	92901-06600	. WASHER, plate	1		
21-19	437-83976-01	SWITCH, handle 1	1		
21-20	437-26240-20	GRIP ASS'Y	1		
21-21	90170-10038	NUT, hexagon	1		
21-22	443-26311-00	WIRE, throttle 1 (690 mm)	1		
21-23	443-26312-02	WIRE, throttle 2 (235 mm)	1		
21-24	401-26329-00	. CAP, rubber	1		
21-25	559-26335-00	WIRE, clutch (950 mm)	1		
21-26	382-26372-01	. COVER, lever	1		
21-27	90179-08148	NUT (168-26344-00)	2		
21-28	90123-08046	BOLT, wire adjusting	2		
21-29	443-26341-01	WIRE, brake (1085 mm)	1		

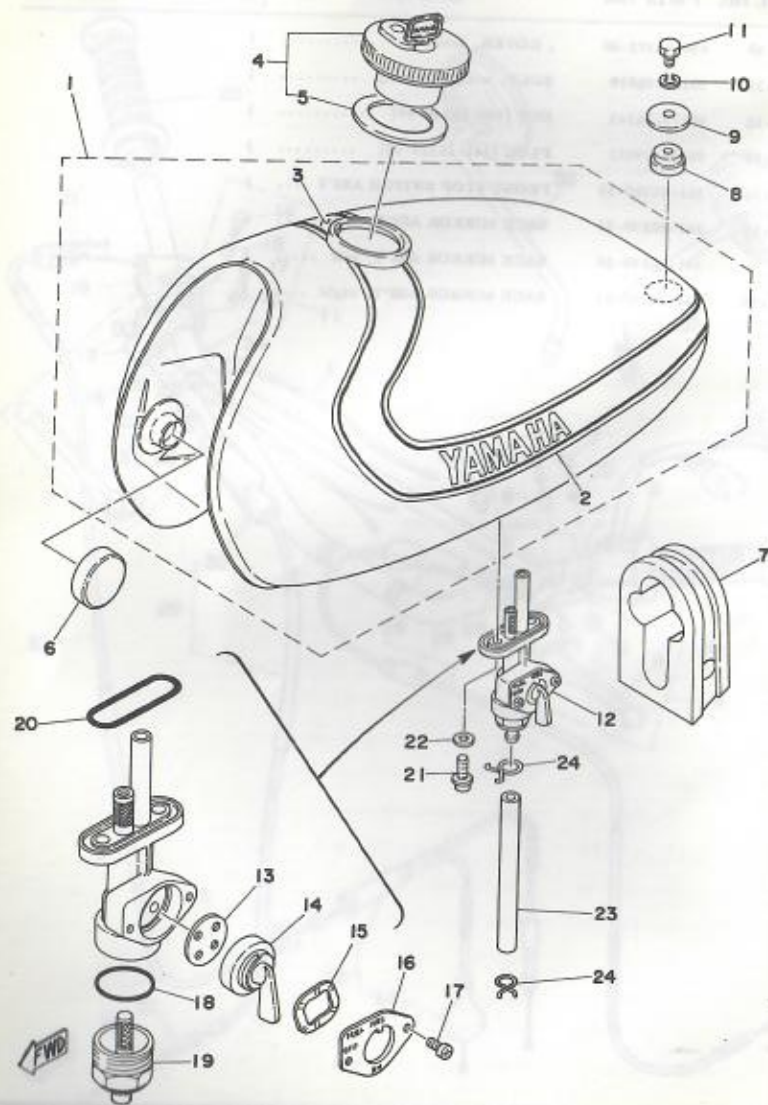
Fig. 21 HANDLE · WIRE



HANDLE · WIRE

Ref. No.	Parts No.	Description	Qty	Applicable Machine No.	Remarks
21-30	498-26372-00	COVER, lever	1		
21-31	90123-06010	BOLT, wire adjusting	1		
21-32	90179-06143	NUT (109-26344-00)	1		
21-33	90338-09012	PLUG (341-26329-00)	1		
21-34	361-83980-30	FRONT STOP SWITCH ASS'Y	1		
21-35	341-26290-51	BACK MIRROR ASS'Y, left	1		Exclusive for France
	341-26290-20	BACK MIRROR ASS'Y, left	1		
21-36	341-26290-61	BACK MIRROR ASS'Y, right	1		

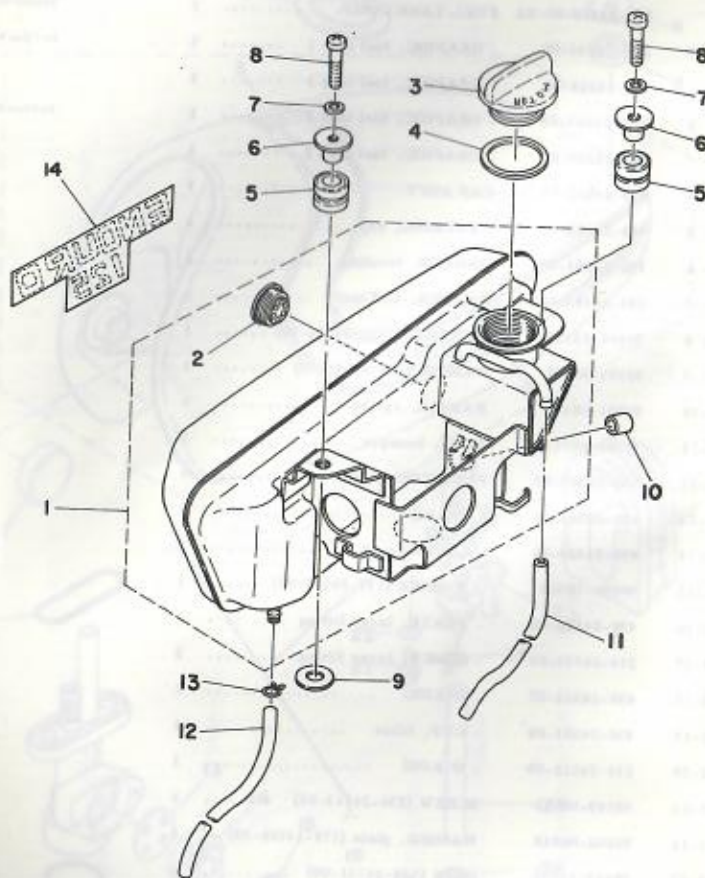
Fig. 22 FUEL TANK



FUEL TANK

Ref. No.	Parts No.	Description	Qty	Applicable Machine No.	Remarks
22- 1	558-24110-00-09	FUEL TANK COMP.	1		Clean White
	558-24110-00-X1	FUEL TANK COMP.	1		Chappy Green
	558-24110-00-X2	FUEL TANK COMP.	1		Yamaha Black
22- 2	1F9-24244-00	. GRAPHIC, fuel tank 1	1		for Clean White
	568-24244-00	. GRAPHIC, fuel tank 1	1		
22- 3	1F9-24245-00	. GRAPHIC, fuel tank 2	1		for Clean White
	568-24245-00	. GRAPHIC, fuel tank 2	1		
22- 4	498-24602-03	CAP ASS'Y	1		
22- 5	498-24612-00	. PACKING, cap	1		
22- 6	156-24181-00	DAMPER, locating	2		
22- 7	401-24183-00	DAMPER, fuel tank	1		
22- 8	90480-25135	GROMMET (322-24182-00)	1		
22- 9	90209-08098	WASHER (341-83348-00)	1		
22-10	92901-08100	WASHER, spring	1		
22-11	97301-08015	BOLT, hexagon	1		
22-12	558-24500-00	FUEL COCK ASS'Y	1		
22-13	498-24523-00	. VALVE	1		
22-14	498-24524-00	. LEVER, cock	1		
22-15	90206-18025	. WASHER (137-24518-00)	1		
22-16	498-24525-00	. PLATE, lever fitting	1		
22-17	214-24535-00	. SCREW, lever fitting	2		
22-18	498-24522-00	. O-RING	1		
22-19	498-24521-00	. CUP, filter	1		
22-20	214-24512-00	. O-RING	1		
22-21	90149-06011	SCREW (256-24143-00)	2		
22-22	90202-06010	WASHER, plate (178-14766-00)	2		
22-23	90445-11295	HOSE (558-24311-00)	1		
22-24	90467-10008	CLIP (143-24356-00)	2		

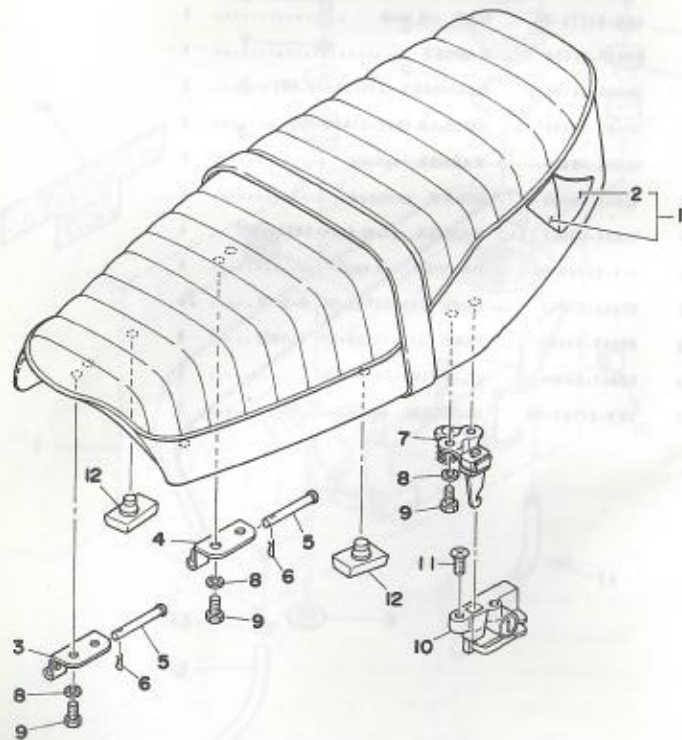
Fig. 23 OIL TANK



OIL TANK

Ref. No.	Parts No.	Description	Qty	Applicable Machine No.	Remarks
23- 1	558-21705-01-36	OIL TANK COMP.	1		Clean White
	558-21705-01-K9	OIL TANK COMP.	1		Chappy Green
	558-21705-01-33	OIL TANK COMP.	1		Yamaha Black
23- 2	360-21761-00	. GAUGE, level	1		
23- 3	1A0-21771-00	CAP, oil tank	1		
23- 4	90430-27124	GASKET	1		
23- 5	90480-14102	GROMMET (214-21717-00)	2		
23- 6	90387-07391	COLLAR (437-21633-00)	2		
23- 7	92901-06100	WASHER, spring	2		
23- 8	92501-06030	SCREW, panhead	2		
23- 9	90201-06067	WASHER, plate (116-28324-00)	1		
23-10	437-21779-00	DAMPER, oil tank	1		
23-11	90446-09012	HOSE (248-21745-00 4-350)	1		
23-12	90445-09107	HOSE (353-21766-00 5-380)	1		
23-13	90467-08003	CLIP (101-24356-00)	1		
23-14	1F9-21787-00	EMBLEM, enduro	1		

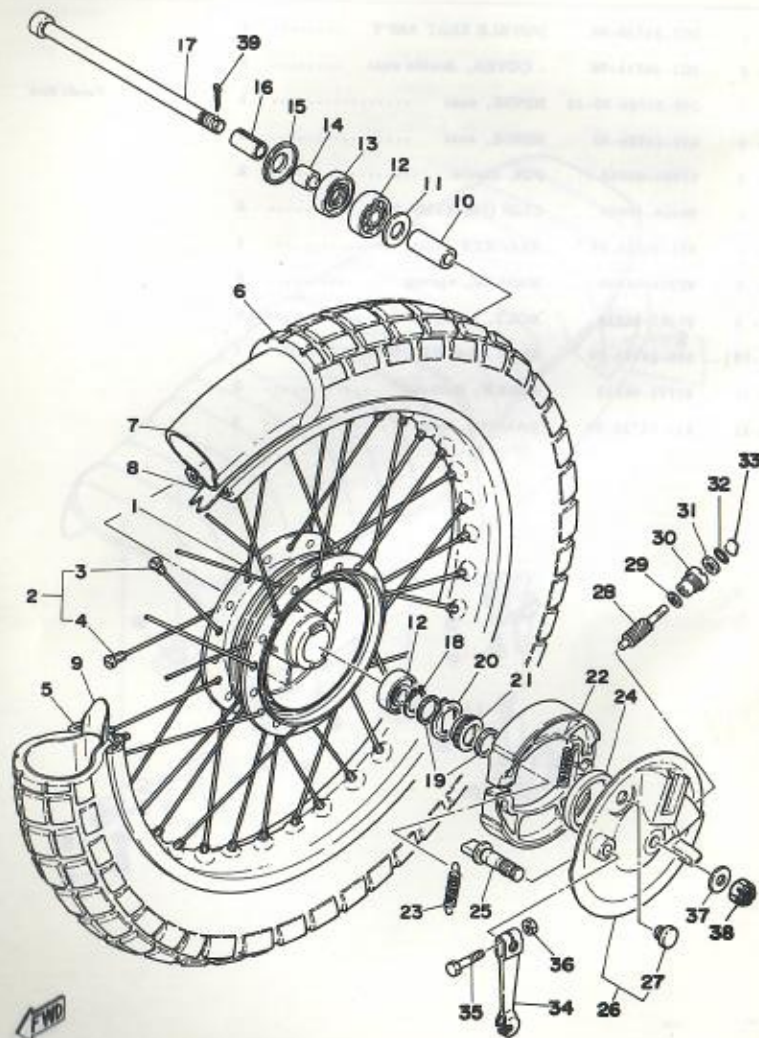
Fig. 24 SEAT



SEAT

Ref. No.	Parts No.	Description	Qty	Applicable Machine No.	Remarks
24- 1	1G1-24730-00	DOUBLE SEAT ASS'Y	1		
24- 2	1G1-24731-00	. COVER, double seat	1		
24- 3	248-24726-00-33	HINGE, seat	1		Yamaha Hook
24- 4	437-24726-00	HINGE, seat	1		
24- 5	91501-05055	PIN, clevis	2		
24- 6	90468-10050	CLIP (156-83525-00)	2		
24- 7	371-24728-00	BRACKET, seat	1		
24- 8	92901-06100	WASHER, spring	6		
24- 9	97501-06012	BOLT, hexagon	6		
24-10	558-24705-00	SEAT BRACKET UNDER COMP.	1		
24-11	92701-06012	SCREW, flathead	2		
24-12	214-24724-00	DAMPER, seat	5		

Fig. 25 FRONT WHEEL

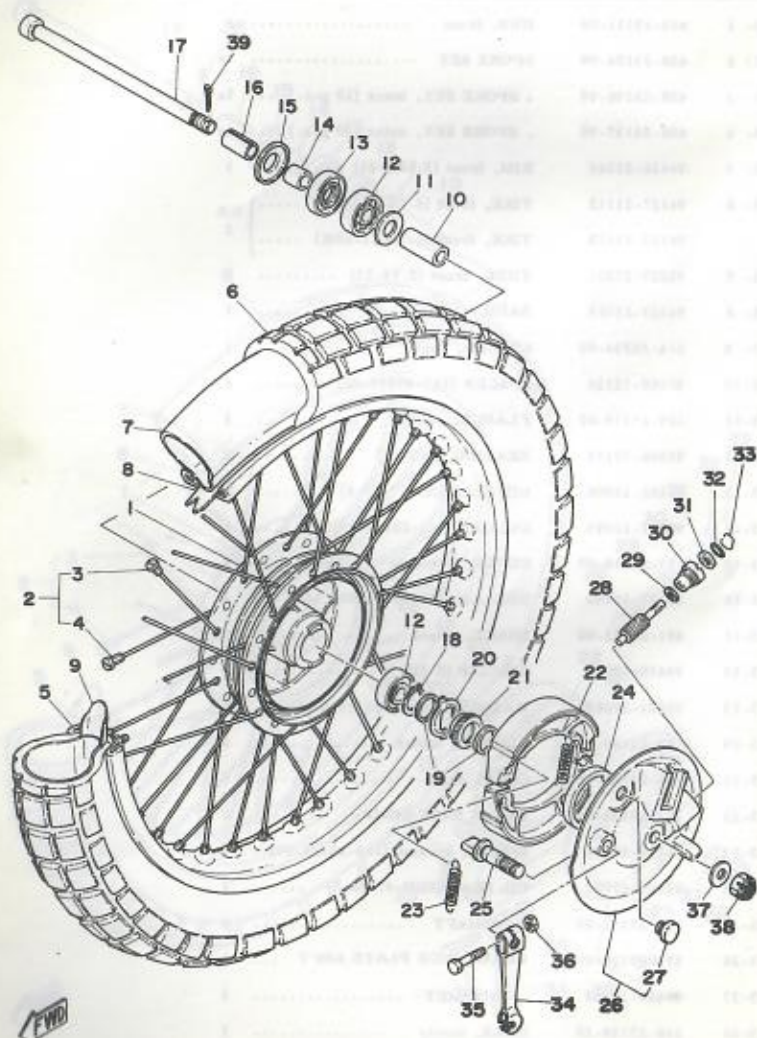


FRONT WHEEL

Ref. No.	Parts No.	Description	Qty	Applicable Machine No.	Remarks
25- 1	443-25111-00	HUB, front	1		
25- 2	458-25104-00	SPOKE SET	1s		
25- 3	458-25196-90	. SPOKE SET, inner (10 pcs.)	1s		
25- 4	458-25197-90	. SPOKE SET, outer (10 pcs.)	1s		
25- 5	94416-21044	RIM, front (1.60A-21)	1		
25- 6	94127-21112	TIRE, front (2.75-21-4PR)	} U.R. 1		
	94127-21178	TIRE, front (2.75-21-4PR)			
25- 7	94227-21031	TUBE, front (2.75-21)	1		
25- 8	94327-21024	BAND, rim (2.75-21)	1		
25- 9	214-25194-00	SPACER, bead	1		
25-10	90560-12138	SPACER (183-25117-00)	1		
25-11	109-25315-00	FLANGE, spacer	1		
25-12	93306-30103	BEARING (B6301Z)	2		
25-13	93102-18008	OIL SEAL (SD-18-37-8)	1		
25-14	90387-12095	COLLAR (183-25183-00)	1		
25-15	183-25118-00	COVER, hub dust	1		
25-16	90387-12100	COLLAR (315-25186-00)	1		
25-17	401-25181-00	SHAFT, wheel	1		
25-18	93410-20009	CIRCLIP (S-20)	1		
25-19	90201-20269	WASHER, plate (183-25147-00)	2		
25-20	183-25149-00	CLUTCH, meter	1		
25-21	248-25135-10	GEAR, drive	1		
25-22	183-25330-01	BRAKE SHOE COMP.	2		
25-23	90506-16036	SPRING, tension (183-25333-00)	2		
25-24	93105-47007	OIL SEAL (SDD-47-58-7)	1		
25-25	248-25351-00	CAMSHAFT	1		
25-26	576-25120-00	BRAKE SHOE PLATE ASS'Y	1		
25-27	90480-10068	. GROMMET	1		
25-28	248-25138-10	GEAR, meter	1		



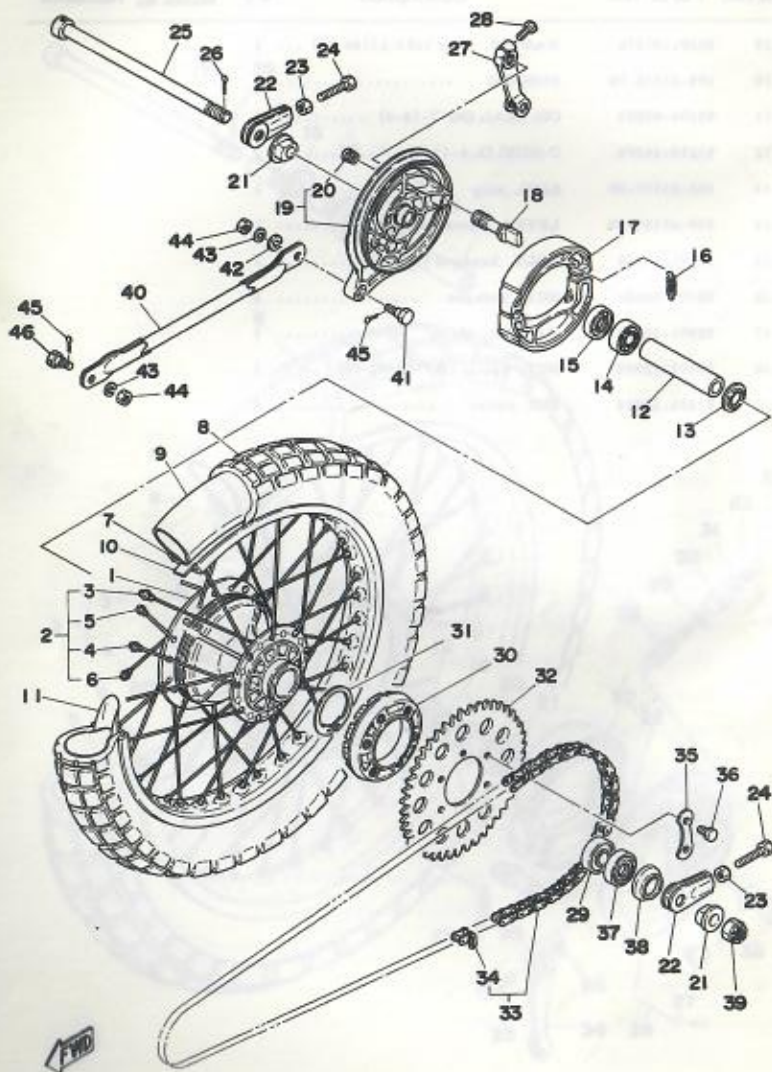
Fig. 25 FRONT WHEEL



FRONT WHEEL

Ref. No.	Parts No.	Description	Q'ty	Applicable Machine No.	Remarks
25-29	90201-01076	WASHER, plate (183-25146-00) ...	1		
25-30	109-25136-00	BUSHING	1		
25-31	93104-07001	OIL SEAL (90-T-14-4)	1		
25-32	93210-14104	O-RING (2.4-15-8)	1		
25-33	102-25137-00	RING, stop	1		
25-34	559-25155-00	LEVER, cambar	1		
25-35	90101-06278	BOLT, hexagon	1		
25-36	95301-06600	NUT, hexagon	1		
25-37	92901-12200	WASHER, plain	1		
25-38	90171-12005	NUT, castle (167-25362-00)	1		
25-39	91401-30022	PIN, cotter	1		

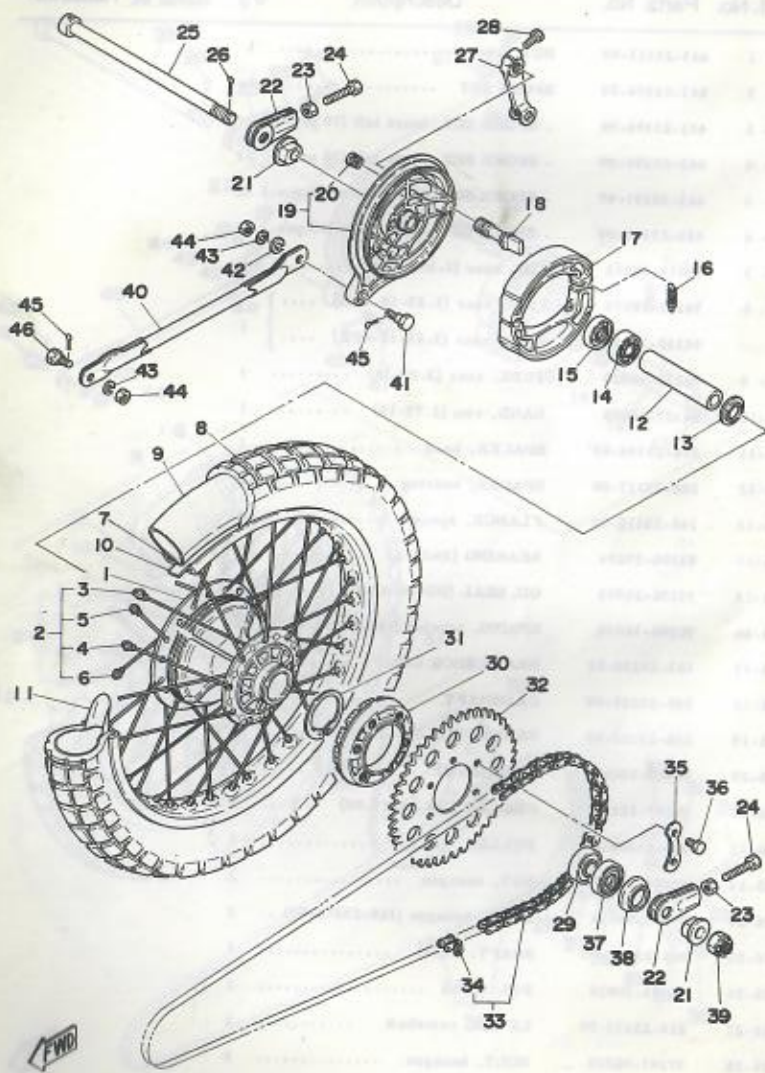
Fig. 26 REAR WHEEL



REAR WHEEL

Ref. No.	Parts No.	Description	Q'ty	Applicable Machine No.	Remarks
26- 1	443-25311-00	HUB, rear	1		
26- 2	443-25304-00	SPOKE SET	1s		
26- 3	443-25396-90	. SPOKE SET, inner left (10 pcs.)	1s		
26- 4	443-25397-90	. SPOKE SET, outer left (10 pcs.)	1s		
26- 5	443-25391-90	. SPOKE SET, inner right (10 pcs.)	1s		
26- 6	443-25392-90	. SPOKE SET, outer right (10 pcs.)	1s		
26- 7	94418-18171	RIM, rear (1.60A-18)	1		
26- 8	94132-18074	TIRE, rear (3.25-18-4PR)	} U.R		1
	94132-18119	TIRE, rear (3.25-18-4PR)			
26- 9	94232-18020	TUBE, rear (3.25-18)	1		
26-10	94327-18008	BAND, rim (2.75-18)	1		
26-11	214-25394-00	SPACER, bead	1		
26-12	248-25317-00	SPACER, bearing	1		
26-13	148-25115-00	FLANGE, spacer	1		
26-14	93306-20204	BEARING (B6202Z)	1		
26-15	93106-26008	OIL SEAL (DD-26-42-8)	1		
26-16	90506-16036	SPRING, tension (183-25333-00)	2		
26-17	183-25330-01	BRAKE SHOE COMP.	2		
26-18	248-25351-00	CAMSHAFT	1		
26-19	248-25320-00	BRAKE SHOE PLATE ASS'Y	1		
26-20	90480-10068	. GROMMET	1		
26-21	90387-15115	COLLAR (248-25377-00)	2		
26-22	248-25388-00	PULLER, chain	2		
26-23	95301-08700	NUT, hexagon	2		
26-24	90101-08034	BOLT, hexagon (168-25379-00)	2		
26-25	401-25381-00	SHAFT, wheel	1		
26-26	91401-30030	PIN, cotter	1		
26-27	214-25355-00	LEVER, camshaft	1		
26-28	97301-06020	BOLT, hexagon	1		

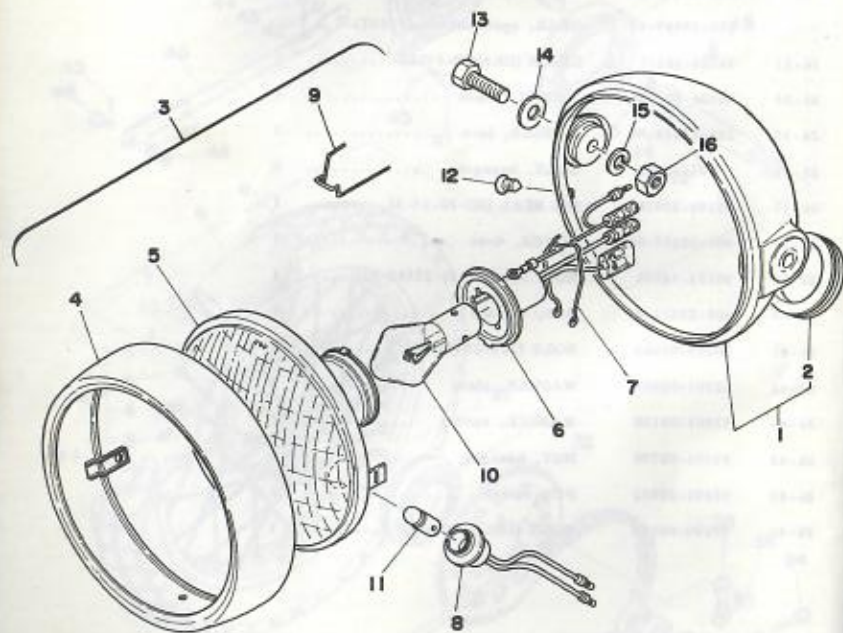
Fig. 26 REAR WHEEL



REAR WHEEL

Ref. No.	Parts No.	Description	Q'ty	Applicable Machine No.	Remarks
26-29	93306-30293	BEARING (B6302Z) .....	1		
26-30	248-25364-00	DAMPER, clutch .....	1		
26-31	93410-52034	CIRCLIP (S-52) .....	1		
26-32	248-25445-10	GEAR, sprocket wheel (45T) ...	1	U.R.	STD
	248-25447-10	GEAR, sprocket wheel (47T) ...			
	248-25448-10	GEAR, sprocket wheel (48T) ...			
	248-25449-10	GEAR, sprocket wheel (49T) ...			
26-33	94524-28110	CHAIN (DK428H-110L) .....	1		
26-34	94624-28001	JOINT, chain .....	1		
26-35	214-25412-00	WASHER, lock .....	3		
26-36	90101-08282	BOLT, hexagon .....	6		
26-37	93104-22018	OIL SEAL (SO-22-35-5) .....	1		
26-38	401-25367-00	COVER, dust .....	1		
26-39	90171-14006	NUT, castle (214-25182-01) ...	1		
26-40	401-25371-01	BAR, tension .....	1		
26-41	90109-08063	BOLT (109-25373-00) .....	1		
26-42	92901-08600	WASHER, plate .....	1		
26-43	92901-08100	WASHER, spring .....	2		
26-44	95301-08700	NUT, hexagon .....	2		
26-45	91401-20012	FIN, cotter .....	2		
26-46	90109-08368	BOLT (183-25378-00) .....	1		

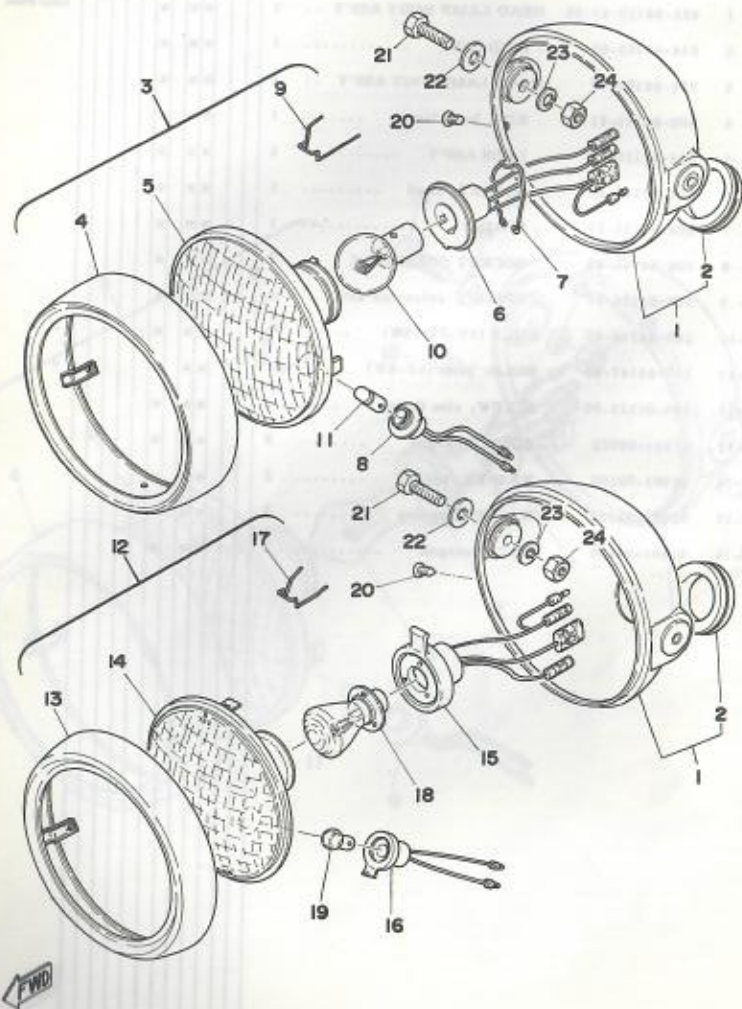
Fig. 27 HEAD LAMP 1



HEAD LAMP 1

Ref. No.	Parts No.	Description	Q'ty	REGION											Remarks		
				FRANCE	GERMANY	NETHERLANDS	SPAIN	SWEDEN	SWITZERLAND	UNITED KINGDOM	USA	WEST GERMANY	INDONESIA	INDIA		ITALY	
27- 1	456-84130-41-36	HEAD LAMP BODY ASS'Y ..	1		X	X	X										Clean White
27- 2	214-84153-60	GROMMET .....	1		X	X	X										
27- 3	314-84103-10	HEAD LAMP UNIT ASS'Y ..	1		X	X	X										
27- 4	308-84115-21	RIM, head lamp .....	1		X	X	X										
27- 5	314-84120-10	LENS ASS'Y .....	1		X	X	X										
27- 6	314-84112-10	SOCKET, cord .....	1		X	X	X										
27- 7	308-84135-21	SPRING .....	1		X	X	X										
27- 8	306-84346-40	SOCKET CORD ASS'Y ..	1		X	X	X										
27- 9	308-84124-20	SPRING, reflector set ..	4		X	X	X										
27-10	260-84114-40	BULB (6V-25/25W) .....	1		X	X	X										
27-11	260-84147-40	BULB, pilot (6V-4W) .....	1		X	X	X										
27-12	195-84325-00	SCREW, rim fitting .....	1		X	X	X										
27-13	97301-08025	BOLT, hexagon .....	2		X	X	X										
27-14	92901-08200	WASHER, plain .....	2		X	X	X										
27-15	92901-08100	WASHER, spring .....	2		X	X	X										
27-16	95301-08600	NUT, hexagon .....	2		X	X	X										

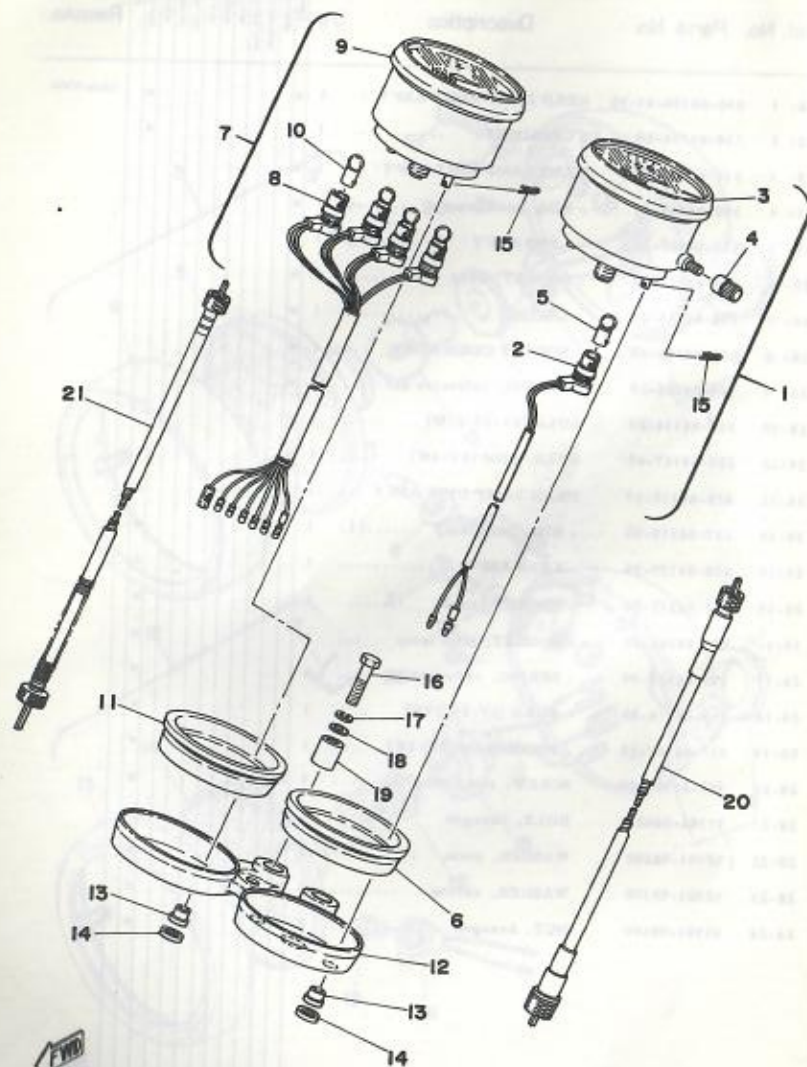
Fig. 28 HEAD LAMP 2



HEAD LAMP 2

Ref. No.	Parts No.	Description	Qty	UNITED STATES	ARGENTINA	AUSTRALIA	BRAZIL	CHINA	ENGLAND	FRANCE	GERMANY	HONG KONG	INDONESIA	JAPAN	MEXICO	NETHERLANDS	NEW ZEALAND	PHILIPPINES	SPAIN	SWEDEN	SWITZERLAND	TAIWAN	THAILAND	WEST GERMANY	OTHER MARKETS	REMARKS
28-1	456-84130-41-36	HEAD LAMP BODY ASS'Y	1	X					X																	Clean White
28-2	214-84153-60	GROMMET	1	X					X																	
28-3	314-84101-20	HEAD LAMP UNIT ASS'Y	1	X					X																	
28-4	308-84115-21	RIM, head lamp	1	X					X																	
28-5	314-84120-20	LENS ASS'Y	1	X					X																	
28-6	314-84112-20	SOCKET, cord	1	X					X																	
28-7	308-84135-21	SPRING	1	X					X																	
28-8	306-84346-40	SOCKET CORD ASS'Y	1	X					X																	
28-9	308-84124-20	SPRING, reflector set	4	X					X																	
28-10	314-84114-20	BULB (6V-25/25W)	1	X					X																	
28-11	260-84147-40	BULB, pilot (6V-4W)	1	X					X																	
28-12	458-84110-30	HEAD LAMP UNIT ASS'Y	1						X																	
28-13	237-84315-00	RIM, head lamp	1						X																	
28-14	458-84120-30	LENS ASS'Y	1						X																	
28-15	357-84312-00	SOCKET, cord	1						X																	
28-16	306-84346-40	SOCKET, pilot lamp	1						X																	
28-17	195-84324-00	SPRING, reflector set	4						X																	
28-18	359-84114-00	BULB (6V-25/25W)	1						X																	
28-19	317-84147-30	BULB, pilot (6V-3W)	1						X																	
28-20	195-84325-00	SCREW, rim fitting	1	X					X																	
28-21	97301-08025	BOLT, hexagon	2	X					X																	
28-22	92901-08200	WASHER, plain	2	X					X																	
28-23	92901-08100	WASHER, spring	2	X					X																	
28-24	95301-08600	NUT, hexagon	2	X					X																	

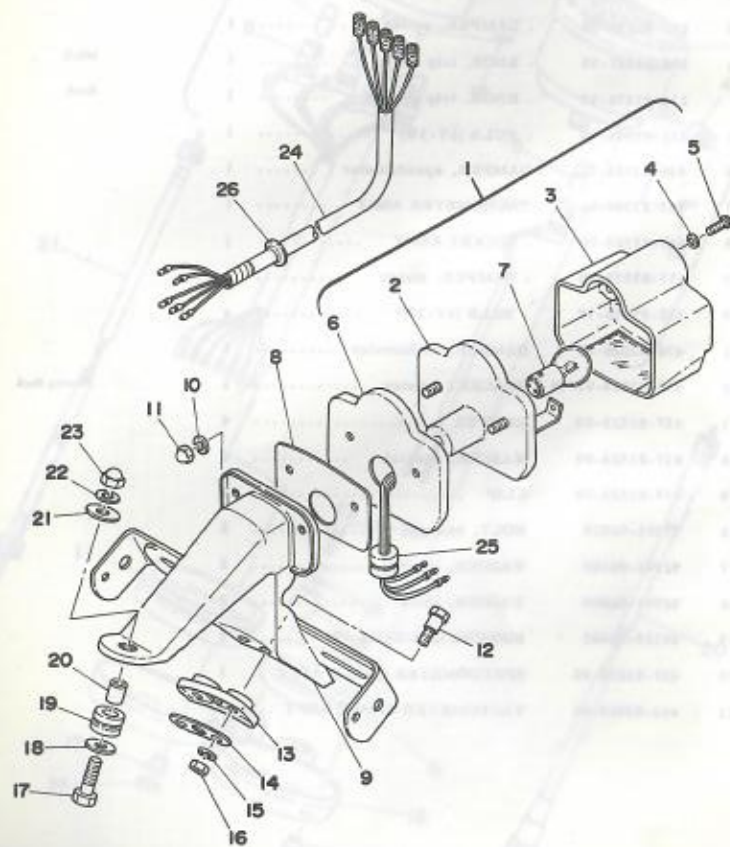
Fig. 29 SPEEDOMETER · TACHOMETER



SPEEDOMETER · TACHOMETER

Ref. No.	Parts No.	Description	Qty	Applicable Machine No.	Remarks
29- 1	438-83570-31	SPEEDOMETER ASS'Y .....	1		Mile/h
	456-83570-11	SPEEDOMETER ASS'Y .....	1		Km/h
29- 2	438-83556-30	· SOCKET ASS'Y .....	1		
29- 3	437-83513-00	· DAMPER, meter .....	1		
29- 4	308-83537-30	· KNOB, trip meter .....	1		Mile/h
	214-83578-30	· KNOB, trip meter .....	1		Km/h
29- 5	122-83516-10	· BULB (6V-3W) .....	1		
29- 6	438-83526-01	DAMPER, speedometer .....	1		
29- 7	443-83540-02	TACHOMETER ASS'Y .....	1		
29- 8	443-83520-00	· SOCKET ASS'Y .....	1		
29- 9	437-83513-00	· DAMPER, meter .....	1		
29-10	122-83516-10	· BULB (6V-3W) .....	4		
29-11	438-83526-01	DAMPER, tachometer .....	1		
29-12	438-83519-01-98	BRACKET, meter .....	1		Finishing Black
29-13	437-83523-00	DAMPER .....	4		
29-14	437-83524-00	WASHER, special .....	4		
29-15	437-83525-00	CLIP .....	4		
29-16	97301-06030	BOLT, hexagon .....	2		
29-17	92901-06100	WASHER, spring .....	2		
29-18	92901-06600	WASHER, plate .....	2		
29-19	90385-06001	BUSHING (214-83528-00) .....	2		
29-20	437-83550-00	SPEEDOMETER CABLE ASS'Y ..	1		
29-21	443-83560-00	TACHOMETER CABLE ASS'Y ...	1		

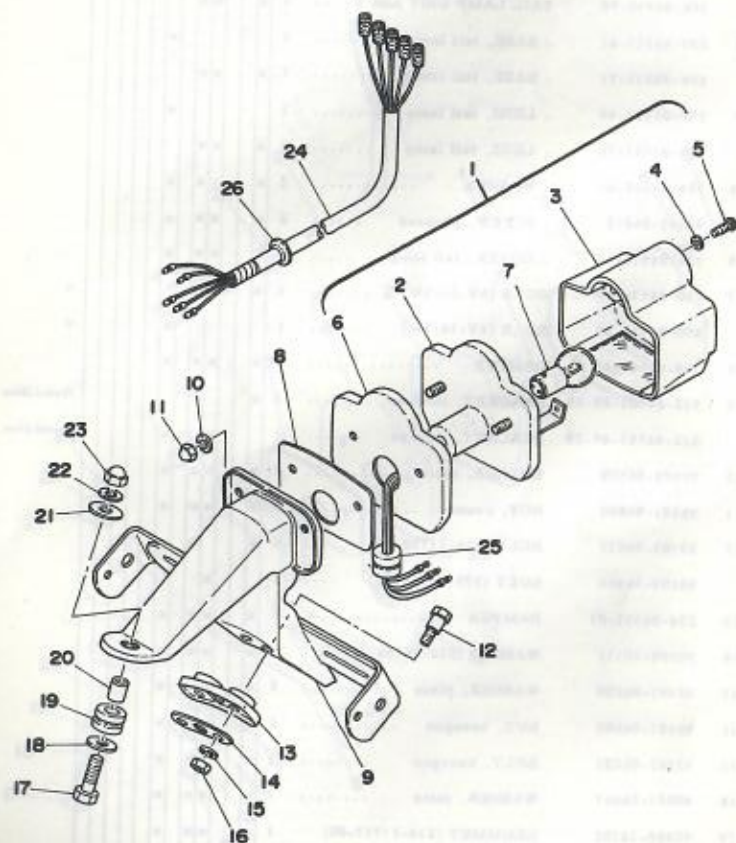
Fig. 30 TAIL LAMP 1



TAIL LAMP 1

Ref. No.	Parts No.	Description	Q'ty												Remarks	
				HOLLAND	FRANCE	GERMANY	SPAIN	NETHERLANDS	FINLAND	DENMARK	NORWAY	SWEDEN	ENGLAND	ITALY		
30- 1	308-84510-40	TAIL LAMP UNIT ASS'Y ..	1													
	308-84510-70	TAIL LAMP UNIT ASS'Y ..	1	x												
30- 2	207-84511-41	. BASE, tail lamp .....	1													
	308-84511-71	. BASE, tail lamp .....	1	x												
30- 3	308-84521-40	. LENS, tail lamp .....	1													
	308-84521-70	. LENS, tail lamp .....	1	x												
30- 4	124-84522-60	. WASHER .....	2	x												
30- 5	92503-06015	. SCREW, panhead .....	2	x												
30- 6	124-84516-60	. COVER, tail lamp .....	1	x												
30- 7	260-84514-40	BULB (6V-21/SW) .....	1	x												
	308-84515-40	BULB (6V-1R/SW) .....	1													
30- 8	308-84547-40	DAMPER .....	1	x												
30- 9	512-84551-20-20	BRACKET, license .....	1	x												Crystal fiber
	512-84551-40-20	BRACKET, license .....	1													Crystal fiber
30-10	92903-06500	WASHER, tooth .....	2	x												
30-11	95301-06800	NUT, crown .....	2	x												
30-12	90109-06017	BOLT (168-21738-00) .....	2	x												
	90109-06366	BOLT (375-84752-00) .....	2	x												
30-13	214-84553-01	DAMPER .....	1	x												
30-14	90209-10114	WASHER (214-84554-00) .....	1	x												
30-15	92901-06200	WASHER, plain .....	2	x												
30-16	95301-06600	NUT, hexagon .....	2	x												
30-17	97301-06025	BOLT, hexagon .....	1	x												
30-18	90201-06067	WASHER, plate .....	1	x												
30-19	90480-14102	GROMMET (214-21717-00) .....	1	x												
30-20	90387-07390	COLLAR .....	1	x												
30-21	90209-06095	WASHER, plate (102-28323-00) .....	1	x												
30-22	92901-06100	WASHER, spring .....	1	x												

Fig. 30 TAIL LAMP 1



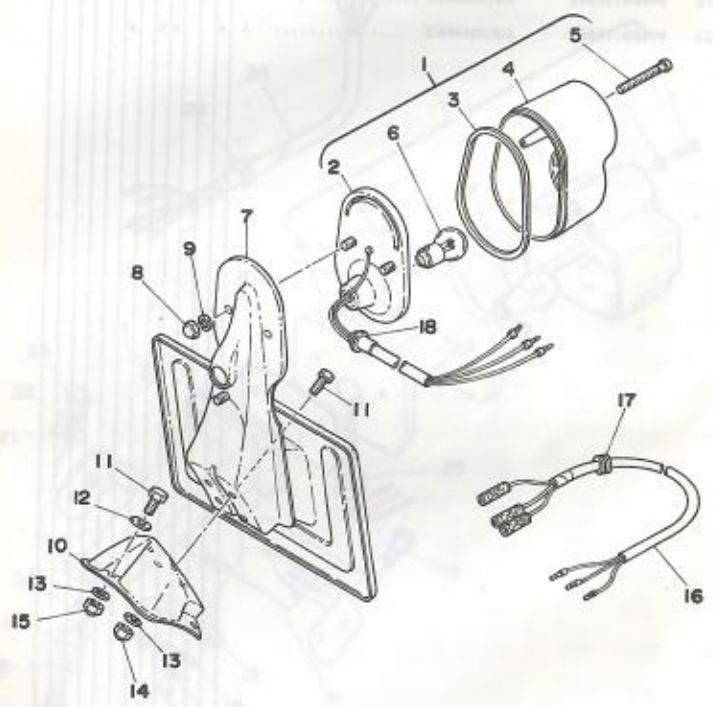
TAIL LAMP 1

Ref. No.	Parts No.	Description	Qty												Remarks		
				FRANCE	HOLLAND	WEST GERMANY	SWITZERLAND	BEELGIUM	SWEDEN	JAPAN	DENMARK	NORWAY	AUSTRIA	ENGLAND		ITALY	
30-23	95301-06800	NUT, crown .....	1	x						x	x	x					
30-24	308-84517-40	CORD, tail lamp .....	1							x			x				
	437-84517-00	CORD, tail lamp .....	1	x						x							
30-25	90480-12013	GROMMET (152-84518-00) ..	1	x						x	x		x				
30-26	90480-15061	GROMMET .....	1	x						x	x		x				



Fig. 31 TAIL LAMP 2

Part No. Description Qty

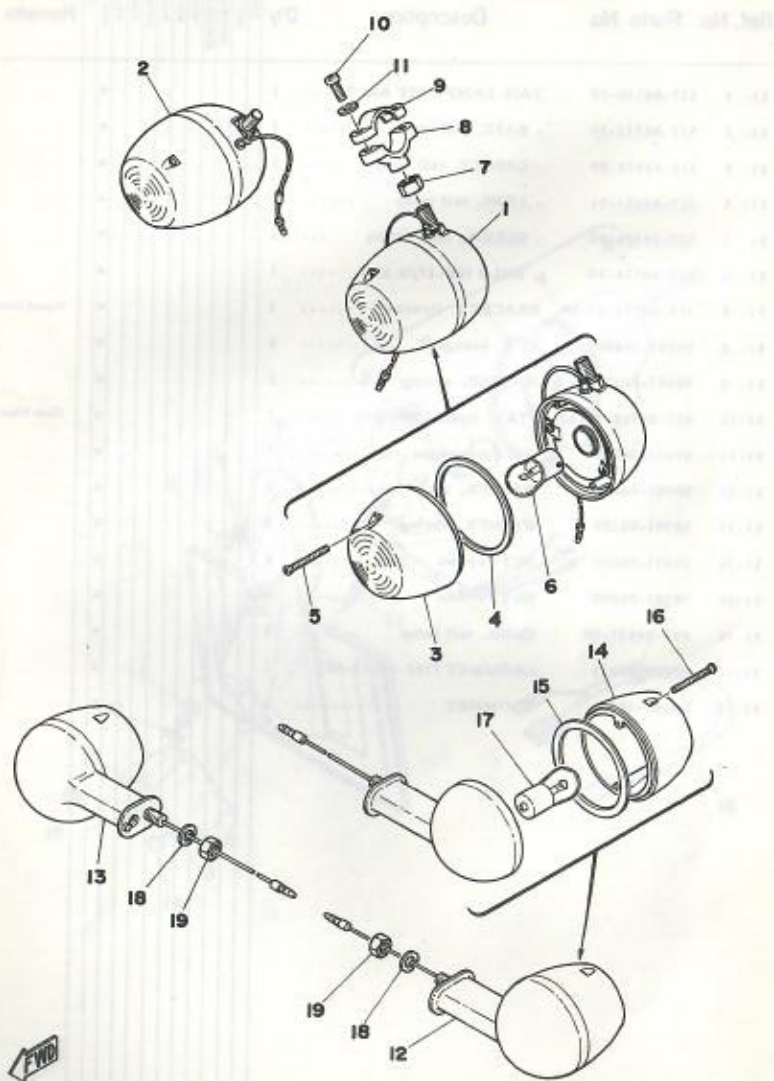


FWD

TAIL LAMP 2

Ref. No.	Parts No.	Description	Qty	INDONESIA	THAI	MALAYSIA	BRUNAI	PHILIPPINES	INDONESIA	THAI	MALAYSIA	BRUNAI	PHILIPPINES	REMARKS
31-1	317-84510-30	TAIL LAMP UNIT ASS'Y	1						X					
31-2	317-84511-30	BASE, tail lamp	1						X					
31-3	122-84521-30	GLASS, tail lamp	1						X					
31-4	127-84521-31	LENS, tail lamp	1						X					
31-5	127-84524-39	SCREW, lens fitting	2						X					
31-6	122-84514-30	BOLT (6V-17/8-3W)	1						X					
31-7	168-84751-10-20	BRACKET, license	1						X				Crystal Silver	
31-8	95301-06800	NUT, hexagon	2						X					
31-9	92901-06100	WASHER, spring	2						X					
31-10	458-84558-10-16	STAY, license bracket	1						X				Clear White	
31-11	97301-06012	BOLT, hexagon	7						X					
31-12	92901-06200	WASHER, plain	3						X					
31-13	92901-06100	WASHER, spring	7						X					
31-14	95301-06600	NUT, crown	4						X					
31-15	95301-06800	NUT, crown	3						X					
31-16	437-84517-00	CORD, tail lamp	1						X					
31-17	90480-12013	GROMMET (152-84518-00)	1						X					
31-18	90480-15061	GROMMET	1						X					

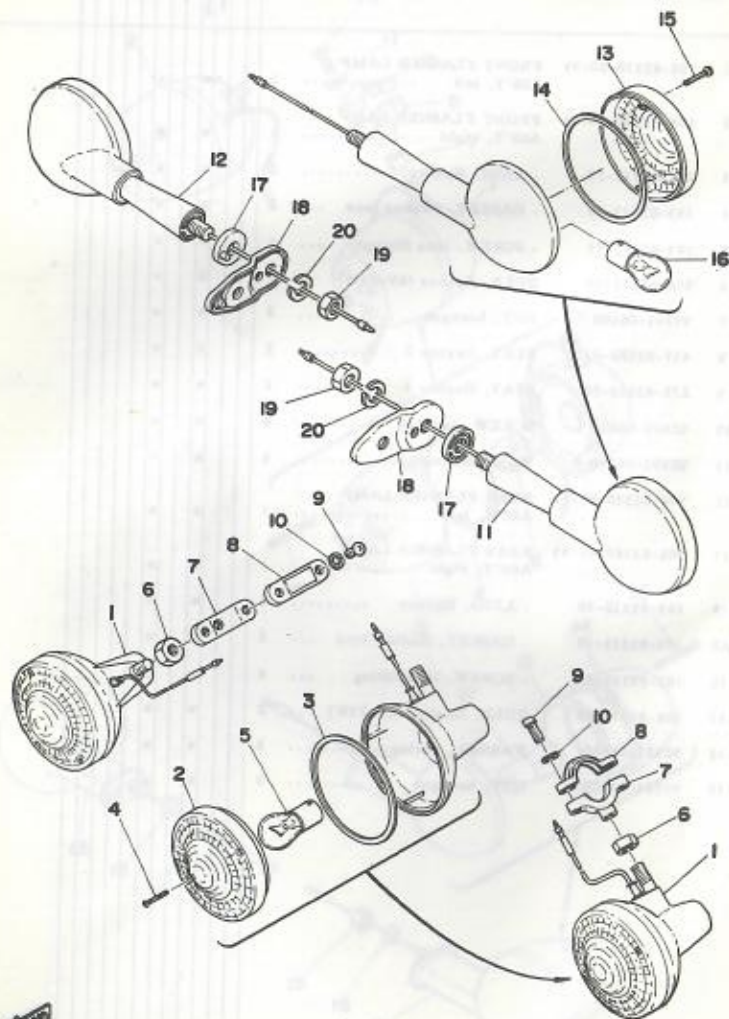
Fig. 32 FLASHER LAMP 1



FLASHER LAMP 1

Ref. No.	Parts No.	Description	Qty	FRANCE	HOLLAND	WEST GERMANY	SWITZERLAND	BELGIUM	SPAIN	FINLAND	DENMARK	NORWAY	IRELAND	ITALY	ENGLAND	REMARKS
32- 1	308-83310-40-93	FRONT FLASHER LAMP ASS'Y, left	1			X				X						
32- 2	308-83320-40-93	FRONT FLASHER LAMP ASS'Y, right	1			X				X						
32- 3	183-83312-70	LENS, flasher	2			X				X						
32- 4	183-83313-70	GASKET, flasher lens	2			X				X						
32- 5	183-83333-71	SCREW, lens fitting	4			X				X						
32- 6	308-83311-30	BULB, flasher (6V-21W)	2			X				X						
32- 7	95301-08600	NUT, hexagon	2			X				X						
32- 8	437-83328-01	STAY, flasher 2	2			X				X						
32- 9	275-83318-00	STAY, flasher 1	2			X				X						
32-10	92501-06015	SCREW, panhead	4			X				X						
32-11	92901-06300	WASHER, tooth	4			X				X						
32-12	308-83330-40-93	REAR FLASHER LAMP ASS'Y, left	1			X				X						
32-13	308-83340-40-93	REAR FLASHER LAMP ASS'Y, right	1			X				X						
32-14	183-83312-70	LENS, flasher	2			X				X						
32-15	183-83313-70	GASKET, flasher lens	2			X				X						
32-16	183-83333-71	SCREW, lens fitting	4			X				X						
32-17	308-83311-30	BULB, flasher (6V-21W)	2			X				X						
32-18	92901-08100	WASHER, spring	2			X				X						
32-19	95301-08600	NUT, hexagon	2			X				X						

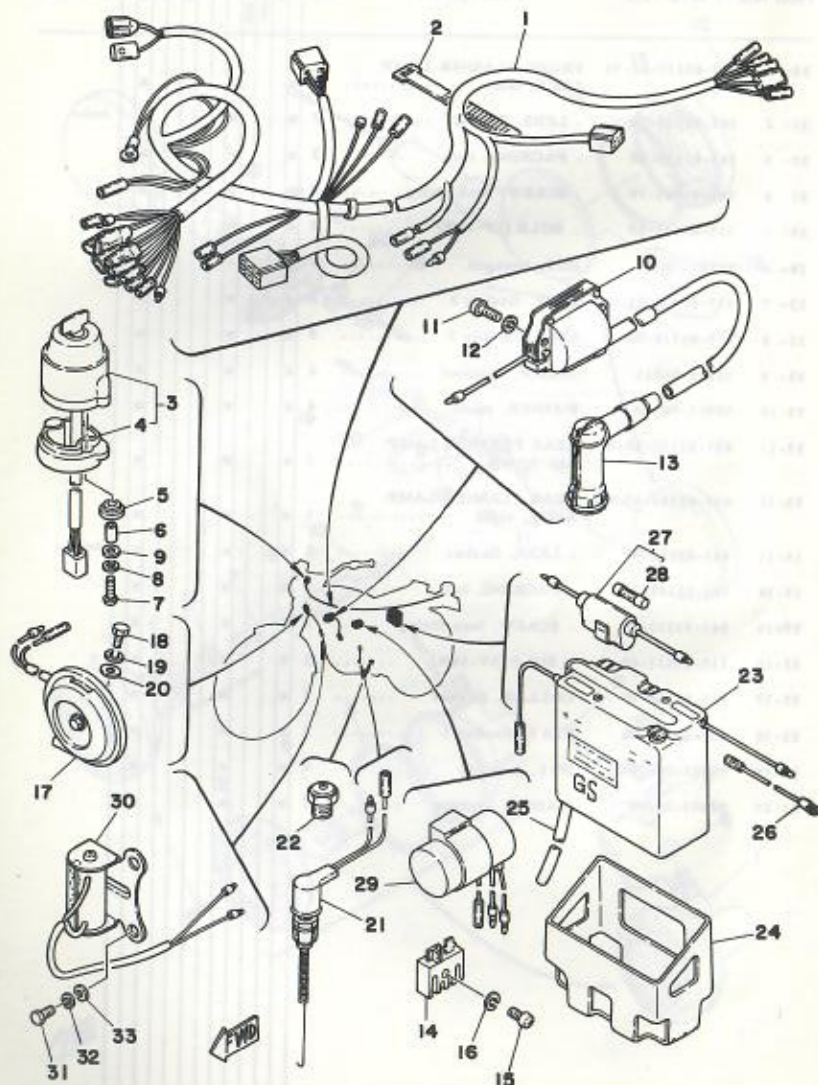
Fig. 33 FLASHER LAMP 2



FLASHER LAMP 2

Ref. No.	Parts No.	Description	Q'ty	COUNTRY											Remarks
				FRANCE	GERMANY	NETHERLANDS	SPAIN	SWEDEN	SWITZERLAND	UNITED KINGDOM	IRELAND	INDONESIA	ITALY	JAPAN	
33- 1	437-83310-62-93	FRONT FLASHER LAMP ASS'Y, left	2	x	x	x	x	x	x	x	x	x	x	x	
33- 2	341-83312-70	LENS, flasher	2	x	x	x	x	x	x	x	x	x	x	x	Amber
33- 3	341-83313-70	PACKING, lens	2	x	x	x	x	x	x	x	x	x	x	x	
33- 4	341-83313-70	SCREW, lens fitting	4	x	x	x	x	x	x	x	x	x	x	x	
33- 5	115-83311-60	BULB (6V-18W)	2	x	x	x	x	x	x	x	x	x	x	x	
33- 6	95301-08600	NUT, hexagon	2	x	x	x	x	x	x	x	x	x	x	x	
33- 7	437-83328-01	STAY, flasher 2	2	x	x	x	x	x	x	x	x	x	x	x	
33- 8	275-83318-00	STAY, flasher 1	2	x	x	x	x	x	x	x	x	x	x	x	
33- 9	92503-06015	SCREW, panhead	4	x	x	x	x	x	x	x	x	x	x	x	
33-10	92901-06300	WASHER, tooth	4	x	x	x	x	x	x	x	x	x	x	x	
33-11	437-83330-30-93	REAR FLASHER LAMP ASS'Y, left	1	x	x	x	x	x	x	x	x	x	x	x	
33-12	437-83340-30-93	REAR FLASHER LAMP ASS'Y, right	1	x	x	x	x	x	x	x	x	x	x	x	
33-13	341-83312-70	LENS, flasher	2	x	x	x	x	x	x	x	x	x	x	x	Amber
33-14	341-83313-70	PACKING, lens	2	x	x	x	x	x	x	x	x	x	x	x	
33-15	341-83313-70	SCREW, lens fitting	4	x	x	x	x	x	x	x	x	x	x	x	
33-16	115-83311-60	BULB (6V-18W)	2	x	x	x	x	x	x	x	x	x	x	x	
33-17	437-83326-00	COLLAR, flasher	2	x	x	x	x	x	x	x	x	x	x	x	
33-18	437-83368-02	STAY, flasher 3	2	x	x	x	x	x	x	x	x	x	x	x	
33-19	95301-08600	NUT, hexagon	2	x	x	x	x	x	x	x	x	x	x	x	
33-20	92901-08100	WASHER, spring	2	x	x	x	x	x	x	x	x	x	x	x	

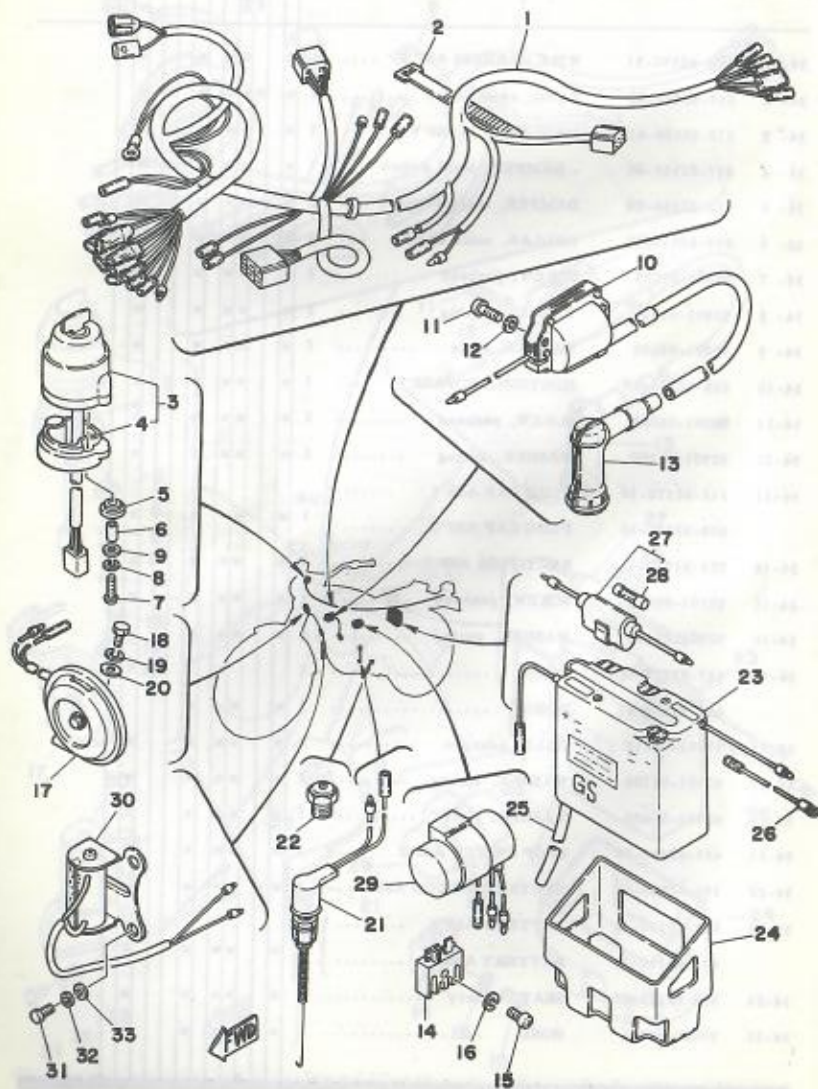
Fig. 34 ELECTRICAL



ELECTRICAL

Ref. No.	Parts No.	Description	Q'ty	COUNTRY											Remarks							
				UNITED STATES	CANADA	ARGENTINA	BRASIL	CHINA	FRANCE	GERMANY	HONG KONG	INDONESIA	JAPAN	MEXICO		NETHERLANDS	SPAIN	SWITZERLAND	TAIWAN	THAILAND	U.K.	
34- 1	129-82590-31	WIRE HARNESS ASS'Y	1	x	x	x	x	x	x	x	x	x	x	x	x	x	x	x	x	x	x	
34- 2	437-83936-00	BAND, switch cord	2	x	x	x	x	x	x	x	x	x	x	x	x	x	x	x	x	x	x	
34- 3	512-82508-41	MAIN SWITCH ASS'Y	1	x	x	x	x	x	x	x	x	x	x	x	x	x	x	x	x	x	x	
34- 4	437-82555-00	DAMPER, main switch 1	1	x	x	x	x	x	x	x	x	x	x	x	x	x	x	x	x	x	x	
34- 5	437-82556-00	DAMPER, main switch 2	2	x	x	x	x	x	x	x	x	x	x	x	x	x	x	x	x	x	x	
34- 6	437-82516-00	COLLAR, main switch	2	x	x	x	x	x	x	x	x	x	x	x	x	x	x	x	x	x	x	
34- 7	98501-05025	SCREW, panhead	2	x	x	x	x	x	x	x	x	x	x	x	x	x	x	x	x	x	x	
34- 8	92901-05100	WASHER, spring	2	x	x	x	x	x	x	x	x	x	x	x	x	x	x	x	x	x	x	
34- 9	92901-05600	WASHER, plate	2	x	x	x	x	x	x	x	x	x	x	x	x	x	x	x	x	x	x	
34-10	525-82310-40	IGNITION COIL ASS'Y	1	x	x	x	x	x	x	x	x	x	x	x	x	x	x	x	x	x	x	
34-11	98501-06025	SCREW, panhead	2	x	x	x	x	x	x	x	x	x	x	x	x	x	x	x	x	x	x	
34-12	92901-06100	WASHER, spring	2	x	x	x	x	x	x	x	x	x	x	x	x	x	x	x	x	x	x	
34-13	512-82370-10	PLUG CAP ASS'Y	1																			U.R.
	808-82370-10	PLUG CAP ASS'Y	1	x	x	x	x	x	x	x	x	x	x	x	x	x	x	x	x	x	x	
34-14	353-81970-62	RECTIFIER ASS'Y	1	x	x	x	x	x	x	x	x	x	x	x	x	x	x	x	x	x	x	
34-15	98501-05018	SCREW, panhead	1	x	x	x	x	x	x	x	x	x	x	x	x	x	x	x	x	x	x	
34-16	92901-05100	WASHER, spring	1	x	x	x	x	x	x	x	x	x	x	x	x	x	x	x	x	x	x	
34-17	437-83371-12	HORN	1																			
	456-83371-21	HORN	1	x	x	x	x	x	x	x	x	x	x	x	x	x	x	x	x	x	x	
34-18	97301-06012	BOLT, hexagon	2	x	x	x	x	x	x	x	x	x	x	x	x	x	x	x	x	x	x	
34-19	92901-06100	WASHER, spring	2	x	x	x	x	x	x	x	x	x	x	x	x	x	x	x	x	x	x	
34-20	92901-06600	WASHER, plate	2	x	x	x	x	x	x	x	x	x	x	x	x	x	x	x	x	x	x	
34-21	437-82530-00	STOP SWITCH ASS'Y	1	x	x	x	x	x	x	x	x	x	x	x	x	x	x	x	x	x	x	
34-22	136-82940-00	NEUTRAL SWITCH ASS'Y	1	x	x	x	x	x	x	x	x	x	x	x	x	x	x	x	x	x	x	
34-23	437-82110-12	BATTERY ASS'Y	1																			U.R.
	437-82110-22	BATTERY ASS'Y	1	x	x	x	x	x	x	x	x	x	x	x	x	x	x	x	x	x	x	
34-24	558-82122-00	SEAT, battery	1	x	x	x	x	x	x	x	x	x	x	x	x	x	x	x	x	x	x	
34-25	90445-08286	HOSE	1	x	x	x	x	x	x	x	x	x	x	x	x	x	x	x	x	x	x	

Fig. 34 ELECTRICAL



ELECTRICAL

Ref. No.	Parts No.	Description	Qty	FRANCE	GERMANY	HOLLAND	IRELAND	ITALY	JAPAN	NETHERLANDS	NORWAY	SPAIN	SWEDEN	SWITZERLAND	UNITED KINGDOM	USA	REMARKS
34-26	558-82116-00	WIRE, lead	1	X	X	X	X	X	X	X	X	X	X	X	X	X	
34-27	116-82150-00	FUSE HOLDER ASS'Y	1	X	X	X	X	X	X	X	X	X	X	X	X	X	
34-28	116-82151-00	FUSE	1	X	X	X	X	X	X	X	X	X	X	X	X	X	
34-29	438-83350-82	FLASHER RELAY ASS'Y	1	X	X	X	X	X	X	X	X	X	X	X	X	X	
	456-83350-40	FLASHER RELAY ASS'Y	1		X	X											
34-30	179-85370-00	RESISTOR ASS'Y	1														
	179-85370-10	RESISTOR ASS'Y	1														
34-31	97101-06012	BOLT, hexagon	2	X	X	X	X	X	X	X	X	X	X	X	X	X	
34-32	92901-06100	WASHER, spring	2	X	X	X	X	X	X	X	X	X	X	X	X	X	
34-33	92901-06600	WASHER, plate	2	X	X	X	X	X	X	X	X	X	X	X	X	X	

YAMAHA PARTS



Part No.	Description	QTY
1	HOUSING	1
2	SHAFT	1
3	ROLLER	2
4	ROLLER	2
5	ROLLER	2
6	ROLLER	2
7	ROLLER	2
8	ROLLER	2
9	ROLLER	2
10	ROLLER	2
11	ROLLER	2
12	ROLLER	2
13	ROLLER	2
14	ROLLER	2
15	ROLLER	2
16	ROLLER	2
17	ROLLER	2
18	ROLLER	2
19	ROLLER	2
20	ROLLER	2
21	ROLLER	2
22	ROLLER	2
23	ROLLER	2
24	ROLLER	2
25	ROLLER	2
26	ROLLER	2
27	ROLLER	2
28	ROLLER	2

# REPAIR KIT



REPAIR KIT

### Fig. 35 REPAIR KIT

Ref. No.	Parts No.	Description	Q'ty	Applicable Machine No.	Remarks
35- 1	560-11630-00	PISTON ASS'Y (STD)	1		
	560-11630-10	PISTON ASS'Y (1st O.S)	1		
	560-11630-20	PISTON ASS'Y (2nd O.S)	1		
	560-11630-30	PISTON ASS'Y (3rd O.S)	1		
	560-11630-40	PISTON ASS'Y (4th O.S)	1		
35- 2	560-11631-00-96	. PISTON (55.96 mm STD)	1	U.R 1	Ref. No. 38
	560-11631-00-98	. PISTON (55.98 mm STD)	1		
	560-11635-00	. PISTON (56.25 mm 1st O.S)	1		
	560-11636-00	. PISTON (56.50 mm 2nd O.S)	1		
	560-11637-00	. PISTON (56.75 mm 3rd O.S)	1		
	560-11638-00	. PISTON (57.00 mm 4th O.S)	1		
35- 3	444-11610-00	. PISTON RING SET (STD)	1s		39
	444-11610-10	. PISTON RING SET (1st O.S)	1s		
	444-11610-20	. PISTON RING SET (2nd O.S)	1s		
	444-11610-30	. PISTON RING SET (3rd O.S)	1s		
	444-11610-40	. PISTON RING SET (4th O.S)	1s		
35- 4	137-11633-00	. PIN, piston	1		3-11
35- 5	93450-17025	. CIRCLIP (137-11634-00)	2		3-12
35- 6	559-11650-00	CONNECTING ROD ASS'Y	1		
35- 7	559-11651-00	. ROD, connecting	1		3-4
35- 8	248-11681-00	. PIN, crank	1		3-5
35- 9	93310-42231	. BEARING, con-rod big end	1		3-6
35-10	90209-22071	. WASHER (164-11685-00)	2		3-7
35-11	93310-216A3	. BEARING, con-rod small end	1		3-10
35-12	1F9-00000-20	GASKET KIT	1s		
35-13	90430-12038	. GASKET (132-15353-00)	1		1-8
35-14	248-11351-00	. GASKET, cylinder	1		1-17
35-15	248-11181-00	. GASKET, cylinder head	1		1-19
35-16	93210-11073	. O-RING (2.4-10.8)	2		1-29

### REPAIR KIT

Ref. No.	Parts No.	Description	Q'ty	Applicable Machine No.	Remarks
35-17	401-19455-00	. GASKET, crankcase cover left	1		2-3
35-18	401-19451-00	. GASKET, crankcase cover right	1		2-6
35-19	402-15456-00	. GASKET, oil pump cover	1		2-12
35-20	93210-19123	. O-RING (2.4-19)	1		2-15
35-21	93210-18023	. O-RING (1.2-17.6)	1		3-22
35-22	93210-19010	. O-RING	1		4-22
35-23	137-15353-00	. GASKET (14.5-21-1.5)	1		6-10
35-24	93210-17239	. O-RING (2.0-16.5)	1		9-6
35-25	314-13621-02	. PACKING, valve seat	1		10-7
35-26	304-14184-00	. GASKET, float chamber	1		11-9
35-27	558-14147-00	. O-RING	1		11-13
35-28	93210-24235	. O-RING	2		12-3
35-29	152-14613-00	. GASKET, exhaust pipe	1		12-4
35-30	126-13116-00	. GASKET, pump case	1		13-1
35-31	90430-04004	. GASKET (137-13187-00)	1		13-20
35-32	1F9-00000-60	OIL SEAL KIT	1s		
35-33	93102-25061	. OIL SEAL (SD-25-40-8)	1		3-15
35-34	93103-28011	. OIL SEAL (SW-28-40-8)	1		3-21
35-35	93104-14004	. OIL SEAL (SO-14-25-5)	1		4-20
35-36	93102-26042	. OIL SEAL (SD-26-38-5)	1		5-25
35-37	93109-12012	. OIL SEAL (SDO-12-19-5)	1		7-4
35-38	93101-12060	. OIL SEAL (S-12-21-4)	1		7-13
35-39	93101-17062	. OIL SEAL (S-17-25-4)	1		8-18
35-40	93104-07036	. OIL SEAL (SO-7-13-4)	1		9-8
35-41	93101-10002	. OIL SEAL (S-10-22-7)	1		13-6
35-42	93101-10001	. OIL SEAL (S-10-21-5)	1		13-16

Fig. 104 SEASER KIT

Part No.	Part Name	QTY	Part No.	Part Name	QTY
104-1	...	1	...	...	1
104-2	...	1	...	...	1
104-3	...	1	...	...	1
104-4	...	1	...	...	1
104-5	...	1	...	...	1
104-6	...	1	...	...	1
104-7	...	1	...	...	1
104-8	...	1	...	...	1
104-9	...	1	...	...	1
104-10	...	1	...	...	1
104-11	...	1	...	...	1
104-12	...	1	...	...	1
104-13	...	1	...	...	1
104-14	...	1	...	...	1
104-15	...	1	...	...	1
104-16	...	1	...	...	1
104-17	...	1	...	...	1
104-18	...	1	...	...	1
104-19	...	1	...	...	1
104-20	...	1	...	...	1
104-21	...	1	...	...	1
104-22	...	1	...	...	1
104-23	...	1	...	...	1
104-24	...	1	...	...	1
104-25	...	1	...	...	1
104-26	...	1	...	...	1
104-27	...	1	...	...	1
104-28	...	1	...	...	1
104-29	...	1	...	...	1
104-30	...	1	...	...	1
104-31	...	1	...	...	1
104-32	...	1	...	...	1
104-33	...	1	...	...	1
104-34	...	1	...	...	1
104-35	...	1	...	...	1
104-36	...	1	...	...	1
104-37	...	1	...	...	1
104-38	...	1	...	...	1
104-39	...	1	...	...	1
104-40	...	1	...	...	1
104-41	...	1	...	...	1
104-42	...	1	...	...	1
104-43	...	1	...	...	1
104-44	...	1	...	...	1
104-45	...	1	...	...	1
104-46	...	1	...	...	1
104-47	...	1	...	...	1
104-48	...	1	...	...	1
104-49	...	1	...	...	1
104-50	...	1	...	...	1

NUMERICAL INDEX

Part No.	Part Name	Part No.	Part Name	Part No.	Part Name
104-1	...	104-1	...	104-1	...
104-2	...	104-2	...	104-2	...
104-3	...	104-3	...	104-3	...
104-4	...	104-4	...	104-4	...
104-5	...	104-5	...	104-5	...
104-6	...	104-6	...	104-6	...
104-7	...	104-7	...	104-7	...
104-8	...	104-8	...	104-8	...
104-9	...	104-9	...	104-9	...
104-10	...	104-10	...	104-10	...
104-11	...	104-11	...	104-11	...
104-12	...	104-12	...	104-12	...
104-13	...	104-13	...	104-13	...
104-14	...	104-14	...	104-14	...
104-15	...	104-15	...	104-15	...
104-16	...	104-16	...	104-16	...
104-17	...	104-17	...	104-17	...
104-18	...	104-18	...	104-18	...
104-19	...	104-19	...	104-19	...
104-20	...	104-20	...	104-20	...
104-21	...	104-21	...	104-21	...
104-22	...	104-22	...	104-22	...
104-23	...	104-23	...	104-23	...
104-24	...	104-24	...	104-24	...
104-25	...	104-25	...	104-25	...
104-26	...	104-26	...	104-26	...
104-27	...	104-27	...	104-27	...
104-28	...	104-28	...	104-28	...
104-29	...	104-29	...	104-29	...
104-30	...	104-30	...	104-30	...
104-31	...	104-31	...	104-31	...
104-32	...	104-32	...	104-32	...
104-33	...	104-33	...	104-33	...
104-34	...	104-34	...	104-34	...
104-35	...	104-35	...	104-35	...
104-36	...	104-36	...	104-36	...
104-37	...	104-37	...	104-37	...
104-38	...	104-38	...	104-38	...
104-39	...	104-39	...	104-39	...
104-40	...	104-40	...	104-40	...
104-41	...	104-41	...	104-41	...
104-42	...	104-42	...	104-42	...
104-43	...	104-43	...	104-43	...
104-44	...	104-44	...	104-44	...
104-45	...	104-45	...	104-45	...
104-46	...	104-46	...	104-46	...
104-47	...	104-47	...	104-47	...
104-48	...	104-48	...	104-48	...
104-49	...	104-49	...	104-49	...
104-50	...	104-50	...	104-50	...

NUMERICAL INDEX





# NUMERICAL INDEX

YAMAHA  
PARTS

## NUMERICAL INDEX

Ref No.	Parts No.	Ref No.	Parts No.	Ref No.	Parts No.
23- 3	1A0-21771-00	20- 7	122-23411-00	5-23	137-17417-00-05
35-12	1F9-00000-20	20- 8	122-23412-00	19- 3	137-23145-01
35-32	1F9-00000-60	20- 8	122-23416-00	19- 7	137-23145-01
11- 1	1F9-14101-00	29- 5	122-83516-10	19-21	146-23116-00
10-14	1F9-14411-00	29-10	122-83516-10	26-13	148-25115-00
10-20	1F9-14437-00	31- 6	122-84514-30	11-32	152-14174-00
15- 1	1F9-21110-81-33	31- 3	122-84523-30	12- 4	152-14613-00
15- 1	1F9-21110-99-33	30- 6	124-84516-60	11-30	156-14135-00
23-14	1F9-21787-00	30- 4	124-84522-60	8- 6	156-15618-01
22-22	1F9-24244-00	13- 1	126-13116-00	20- 2	156-23411-00
22- 3	1F9-24245-00	11-29	127-14161-00	20- 4	156-23412-00
34- 1	1F9-82590-31	31- 4	127-84521-31	22- 6	156-24181-00
34-30	1F9-85370-00	31- 5	127-84524-30	11-21	164-14137-00
34-30	1F9-85370-10	3-13	132-11561-00-03	5-19	164-17427-00-06
19- 1	1G1-23101-40	3-13	132-11561-00-05	6- 5	164-18561-00
19-23	1G1-23340-00-33	11-34	132-14173-00	20- 1	164-23462-00
15-21	1G1-23408-10	7- 2	132-18113-01	11- 5	168-14190-25
24- 1	1G1-24730-00	6-20	132-18140-01	18-19	168-21639-00
24- 2	1G1-24731-00	15-22	134-23484-10	31- 7	168-84751-30-20
25-33	102-25137-00	15-20	134-23485-10	11-17	174-14123-00
14-14	104-81328-20	3-19	136-11561-00-04	11-18	174-14134-00
25-30	109-25136-00	3-19	136-11561-00-05	5-27	174-17461-50
25-11	109-25315-00	3-19	136-11561-00-06	5-27	174-17461-60
14-15	110-81345-21	3-19	136-11561-00-07	11-37	183-14196-00
14- 9	110-81346-21	34-22	136-82540-00	25-15	183-25118-00
14-12	110-81346-21	3-11	137-11633-00	25-20	183-25149-00
14- 6	110-81348-21	13-17	137-13128-00	25-22	183-25330-01
33- 5	115-83311-60	13-12	137-13137-00-05	26-17	183-25330-01
33-16	115-83311-60	13-12	137-13137-00-10	32- 3	183-83312-70
14-11	116-81331-20	13-12	137-13137-00-30	32-14	183-83312-70
15-33	116-82131-00	13-13	137-13138-01	32- 4	183-83313-70
34-27	116-82150-00	13- 5	137-13176-00	32-15	183-83313-70
34-28	116-82151-00	11- 4	137-14143-18	32- 5	183-83333-71
16-22	120-27430-02	11- 4	137-14143-20	32-16	183-83333-71
16-23	120-27433-00	11- 4	137-14143-22	28-17	195-84324-00
8- 2	122-15612-02	11- 8	137-14186-01	27-12	195-84325-00
4- 3	122-16164-00	6-10	137-15353-00	28-20	195-84325-00
19-29	122-23119-01	4- 7	137-16325-70	30- 2	207-84511-41
19-28	122-23129-00	4-11	137-16356-00	11- 6	214-14195-00

## NUMERICAL INDEX

Ref No.	Parts No.	Ref No.	Parts No.	Ref No.	Parts No.
6-19	214-15385-00	6-17	248-18513-01	4-5	307-16367-00
9-11	214-17843-00	6-12	248-18531-00	18-1	308-21510-00-36
6-16	214-18531-00	16-16	248-22318-00-33	18-2	308-21512-00-93
18-3	214-21513-00	19-22	248-23111-01	32-1	308-83310-40-93
18-4	214-21514-00	19-20	248-23115-01	32-6	308-83311-30
19-26	214-23158-00	19-16	248-23144-00	32-17	308-83311-30
19-24	214-23318-00	24-3	248-24726-00-33	32-2	308-83320-40-93
22-20	214-24512-00	25-21	248-25135-10	32-12	308-83330-40-93
22-17	214-24535-00	25-28	248-25138-10	32-13	308-83340-40-93
24-12	214-24724-00	26-12	248-25317-00	29-4	308-83578-30
25-9	214-25194-00	26-19	248-25320-00	27-4	308-84115-21
26-27	214-25355-00	25-25	248-25351-00	28-4	308-84115-21
26-11	214-25394-00	26-18	248-25351-00	27-9	308-84124-20
26-35	214-25412-00	26-30	248-25364-00	28-9	308-84124-20
21-2	214-26241-20	26-22	248-25388-00	27-7	308-84135-21
17-10	214-27431-00	26-32	248-25445-10	28-7	308-84135-21
17-9	214-27421-00	26-32	248-25447-10	30-1	308-84510-40
29-4	214-83578-30	26-32	248-25448-10	30-1	308-84510-70
21-6	214-83912-00	26-32	248-25449-10	30-2	308-84511-71
21-8	214-83913-00	17-19	248-27251-00	30-7	308-84515-40
21-15	214-83913-00	8-19	257-15668-00	30-24	308-84517-40
27-2	214-84153-60	11-2	260-14142-22	30-3	308-84521-40
28-2	214-84153-60	27-10	260-84114-40	30-3	308-84521-70
30-13	214-84553-01	27-11	260-84147-40	30-8	308-84547-40
21-13	233-83922-30	28-11	260-84147-40	10-7	314-13621-02
28-13	237-84315-00	30-7	260-84514-40	11-19	314-14112-20
11-25	246-14126-00	5-17	265-17241-00	11-7	314-14185-00
11-22	246-14132-00	32-9	275-83318-00	27-3	314-84103-10
1-19	248-11181-00	33-8	275-83318-00	28-3	314-84103-20
1-17	248-11351-00	9-2	276-17839-10	27-6	314-84112-10
3-5	248-11681-00	13-22	278-13169-00	28-6	314-84112-20
13-8	248-13178-00	11-31	304-14171-00	28-10	314-84114-20
11-23	248-14131-00	11-9	304-14184-00	27-5	314-84120-10
8-11	248-15654-00	11-35	304-14261-00	28-5	314-84120-20
5-18	248-17211-00	1-14	304-15128-00	8-10	315-15641-00
9-4	248-17837-00	19-19	304-23122-50	19-2	315-23126-50
9-1	248-17861-00	27-8	306-84346-40	19-6	315-23136-50
6-18	248-18511-02	28-8	306-84346-40	19-4	315-23146-50
6-13	248-18512-01	28-16	306-84346-40	19-8	315-23146-50
				19-5	315-23156-50

## NUMERICAL INDEX

Ref No.	Parts No.	Ref No.	Parts No.	Ref No.	Parts No.
19-9	315-23156-50	2-6	401-15451-00	1-10	437-15419-01
19-10	315-23167-50	2-3	401-15455-00	2-2	437-15421-00
20-17	315-23441-00-33	8-8	401-15660-01	2-5	437-15431-00
28-19	317-84147-30	8-15	401-15666-00	8-1	437-15610-01-93
31-1	317-84510-30	8-13	401-15676-00	5-8	437-17121-01
31-2	317-84511-30	5-11	401-17471-00	18-17	437-21610-00-36
1-30	328-15316-00	7-14	401-18101-01	18-33	437-21610-10-36
15-21	341-23408-01	7-5	401-18102-00	15-12	437-21710-00
21-35	341-26290-20	7-1	401-18111-01-93	15-13	437-21717-10
21-35	341-26290-51	7-7	401-18151-00	15-15	437-21721-00
21-36	341-26290-61	7-10	401-18152-01	23-10	437-21779-00
15-29	341-26397-01	7-6	401-18155-01	16-12	437-22311-02-33
33-2	341-83312-70	7-9	401-18178-00	19-15	437-23117-01
33-13	341-83312-70	7-8	401-18334-00	19-18	437-23161-00
33-3	341-83313-70	6-1	401-18541-00	19-17	437-23163-00
33-14	341-83313-70	15-2	401-21471-00-33	19-35	437-23318-00
33-4	341-83333-70	16-4	401-22127-00	24-4	437-24726-00
33-15	341-83333-70	16-5	401-22128-01	21-20	437-26240-20
10-2	345-13610-70	16-6	401-22141-00	17-7	437-27412-00
10-3	345-13613-70	22-7	401-24183-00	17-8	437-27422-00
10-4	345-13616-70	25-17	401-25181-00	14-4	437-81312-70
11-33	353-14138-00	26-38	401-25367-00	14-13	437-81315-70
34-14	353-81970-62	26-40	401-25371-01	14-8	437-81321-20
28-15	357-84312-00	26-25	401-25381-00	14-3	437-81350-20
28-18	359-84114-00	21-24	401-26329-00	34-23	437-82110-12
23-2	360-21761-00	13-23	402-13552-00	34-23	437-82110-22
21-11	361-82920-91	2-12	402-15456-00	34-6	437-82516-00
21-12	361-82921-33	5-6	427-17131-00	34-21	437-82530-00
21-34	361-83980-30	5-3	427-17141-00	34-4	437-82555-00
11-24	363-14137-00	5-7	427-17151-00	34-5	437-82556-00
11-28	363-14155-00	5-14	427-17221-00	33-1	437-83310-00-62-93
11-27	363-14198-00	5-16	427-17231-00	33-17	437-83326-00
24-7	371-24728-00	5-15	427-17251-00	32-8	437-83328-01
21-26	382-26372-01	10-16	437-14412-00	33-7	437-83328-01
10-1	401-13565-00	10-15	437-14451-01	33-11	437-83330-30-93
1-28	401-15317-00	10-13	437-14453-00	33-12	437-83340-30-93
2-14	401-15362-00	12-14	437-14771-00	33-18	437-83368-02
1-26	401-15441-02	2-1	437-15411-00	34-17	437-83371-12
1-11	401-15449-00	2-11	437-15416-00	29-3	437-83513-00

## NUMERICAL INDEX

Ref No.	Parts No.	Ref No.	Parts No.	Ref No.	Parts No.
29- 9	437-83513-00	29- 8	443-83520-00	11-14	500-14115-00
29-13	437-83523-00	29- 7	443-83540-02	14-10	511-81325-20
29-14	437-83524-00	29-21	443-83560-00	34-13	512-82370-10
29-15	437-83525-00	3- 9	444-11610-00	34- 3	512-82508-41
29-20	437-83550-00	3- 9	444-11610-10	30- 9	512-84551-40-20
34- 2	437-83936-00	3- 9	444-11610-20	30- 9	512-84551-20-20
15-30	437-83936-10	3- 9	444-11610-30	3- 3	525-11422-00
21-19	437-83976-01	3- 9	444-11610-40	13-11	525-13101-00
30-24	437-84517-00	18-11	453-21511-01-36	13-27	525-13374-00
31-16	437-84517-00	34-29	456-83350-40	5-22	525-15651-00
12-23	438-14757-00	34-17	456-83371-21	3-24	525-16111-00
9- 7	438-17811-00	29- 1	456-83570-11	4- 2	525-16150-00
9- 9	438-17812-00	21- 3	456-83972-42	4- 8	525-16351-00
19-33	438-23121-00-36	27- 1	456-84130-41-36	4-16	525-16357-00
19-34	438-23131-00-36	28- 1	456-84130-41-36	4- 4	525-16371-02
34-29	438-83350-62	18-17	458-21610-30-36	4-17	525-16380-00
29-12	438-83519-01-98	28-34	458-21621-00-36	19-14	525-23124-00
29- 6	438-83526-01	25- 2	458-25104-00	19-12	525-23170-00
29-11	438-83526-01	25- 3	458-25196-90	34-10	525-82310-40
29- 2	438-83536-30	25- 4	458-25197-90	19-10	535-23171-00
29- 1	438-83570-31	17- 1	458-27311-00	19-11	535-23183-01
11-20	443-14116-02	17- 6	458-27315-00	3- 2	537-11412-00
1- 1	443-15111-02	28-12	458-84110-30	11-10	539-14181-00
1- 2	443-15121-01	28-14	458-84120-30	11- 3	558-14141-36
9- 3	443-17831-00	31-10	458-84558-30-36	11-13	558-14147-00
9- 5	443-17841-00	11-15	493-14122-00	10-21	558-14418-01
16-21	443-22151-00	11-16	493-14133-00	12- 8	558-14718-00
20-10	443-23435-00-33	1-24	498-15371-00	12- 9	558-14729-00
25- 1	443-25111-00	2-16	498-15371-00	12-22	558-14781-01
26- 2	443-25304-00	22-19	498-24521-00	5-13	558-17421-00
26- 1	443-25311-00	22-18	498-24522-00	18-16	558-21544-00
26- 5	443-25391-90	22-13	498-24523-00	18-24	558-21620-01
26- 6	443-25392-90	22-14	498-24524-00	23- 1	558-21705-01-K9
26- 3	443-25396-90	22-16	498-24525-00	23- 1	558-21705-01-33
26- 4	443-25397-90	22- 4	498-24602-03	23- 1	558-21705-01-36
21-22	443-26311-00	22- 5	498-24612-00	16-10	558-22210-01
21-23	443-26312-02	21-30	498-26372-00	22- 1	558-24110-00-X1
21-29	443-26341-01	21- 4	498-82910-10	22- 1	558-24110-00-X2
15-32	443-28100-10	21- 5	498-82911-00	22- 1	558-24110-00-09

## NUMERICAL INDEX

Ref No.	Parts No.	Ref No.	Parts No.	Ref No.	Parts No.
22-12	558-24500-00	19- 1	576-21101-00	21-21	90170-10038
24-10	558-24705-00	25-26	576-25120-00	4-12	90170-12060
21- 1	558-26111-00	1-20	578-11111-00	3-18	90170-12067
17-16	558-27211-00-11	1-18	578-11311-00	16- 8	90170-12175
15-31	558-28175-01	11-26	578-14158-00	17- 4	90171-10012
34-26	558-82116-00	12- 1	578-14610-00	25-38	90171-12005
34-24	558-82122-00	12- 2	578-14753-00	26-39	90171-14006
1-34	559-11161-00	14- 1	594-81300-20	21-32	90179-06143
3- 1	559-11400-00	14- 2	594-81309-20	17-25	90179-06176
35- 6	559-11650-00	14- 5	594-81313-20	1-22	90179-08025
3- 4	559-11651-00	34-13	898-82378-10	21-27	90179-08148
13- 3	559-13175-00	18-39	848-85131-01	3-27	90179-12044
4- 1	559-16301-01	25-35	90101-06278	4-23	90179-12197
4- 6	559-16321-01	26-24	90101-08034	5-29	90179-16018
5- 1	559-17410-90	26-36	90101-08282	20- 9	90179-25033
5- 2	559-17411-00	17- 3	90102-10086	15- 8	90185-08034
18-31	559-21612-00	13- 5	90105-08023	17-13	90201-06042
16- 1	559-22110-00-13	15-11	90105-08034	12-21	90201-06067
19-13	559-23141-00	15- 9	90105-10037	18-14	90201-06067
19-23	559-23340-00-13	20-11	90105-14060	18-27	90201-06067
25-34	559-25185-00	6-21	90109-06001	23- 9	90201-06067
21-25	559-26335-00	30-12	90109-06017	30-18	90201-06067
15-25	559-26393-00	30-12	90109-06366	25-29	90201-07074
35- 1	560-11630-00	26-41	90109-08063	18-18	90201-08113
35- 1	560-11630-10	26-46	90109-08368	13- 2	90201-08559
35- 1	560-11630-20	16-11	90109-10195	13- 7	90201-10338
35- 1	560-11630-30	17- 3	90109-10339	3-16	90201-12178
35- 1	560-11630-40	6-11	90109-14385	1-21	90201-12362
3- 8	560-11631-00-96	12- 5	90116-06036	7-12	90201-12575
3- 8	560-11631-00-98	1-16	90116-08064	4-19	90201-14217
3- 8	560-11635-00	19-25	90119-08012	4-15	90201-17550
3- 8	560-11636-00	21-31	90123-06010	5- 4	90201-20266
3- 8	560-11637-00	21-28	90123-08044	9-30	90201-20266
3- 8	560-11638-00	22-21	90149-06011	25-19	90201-20269
22- 2	568-24244-00	7-17	90149-08094	12-12	90202-05005
22- 3	568-24245-00	4-21	90149-12097	12-13	90202-06010
1-33	576-11127-00	4-10	90159-05011	22-22	90202-06010
1-31	576-11161-00	7-18	90170-08029	15-23	90206-04003
1-32	576-11162-00	19-32	90170-08176	22-15	90206-18025

## NUMERICAL INDEX

Ref No.	Parts No.	Ref No.	Parts No.	Ref No.	Parts No.
3-26	90208-12015	13-24	90445-05278	6-22	90506-09112
12-24	90209-06061	1-25	90445-07176	26-16	90506-16036
30-21	90209-06095	2-17	90445-07176	25-23	90506-16036
15-7	90209-08050	34-25	90445-08286	17-2	90507-29019
22-9	90209-08098	23-12	90445-09107	17-2	90507-29021
8-4	90209-10108	22-23	90445-11295	4-18	90508-14132
30-14	90209-10114	23-11	90446-09012	17-11	90508-20023
3-7	90209-22071	10-11	90460-43053	8-14	90508-26041
7-19	90215-08014	10-12	90460-49058	7-16	90508-32207
4-13	90215-12007	2-18	90461-10016	17-17	90508-45290
5-28	90215-16020	10-10	90462-05005	25-10	90560-12138
17-20	90240-06006	23-13	90467-08003	8-17	90560-17032
17-12	90243-08006	22-24	90467-10008	4-14	90560-17147
6-3	90249-04039	13-25	90468-02033	19-27	91311-08020
17-24	90249-12008	13-26	90468-02033	8-7	91316-08025
6-15	90250-08017	24-6	90468-10050	13-18	91401-12018
15-24	90269-04003	8-9	90468-26048	11-36	91401-16015
3-28	90280-03017	25-27	90480-10068	26-45	91401-20012
3-25	90282-05005	26-20	90480-10068	17-5	91401-20025
18-32	90338-05056	10-22	90480-10091	17-22	91401-25012
21-33	90338-09012	30-25	90480-12013	25-39	91401-30022
1-9	90340-12005	31-17	90480-12013	26-26	91401-30030
29-19	90385-06001	15-14	90480-12053	24-5	91501-05055
16-3	90386-18028	15-16	90480-12053	1-4	91810-02015
30-20	90387-07390	10-23	90480-14102	2-7	91810-02015
10-24	90387-07391	18-6	90480-14102	1-3	91810-19020
18-5	90387-07391	23-5	90480-14102	12-11	91903-06012
23-6	90387-07391	30-19	90480-14102	12-10	91903-06030
12-16	90387-08242	18-15	90480-14198	15-26	92501-05010
18-20	90387-08258	30-26	90480-15061	9-10	92501-06010
25-14	90387-12095	31-18	90480-15061	10-17	92501-06012
25-16	90387-12100	12-15	90480-20132	1-13	92501-06015
26-21	90387-15115	22-8	90480-25135	15-17	92501-06015
3-23	90387-20488	17-23	90501-10245	2-4	92501-06020
5-26	90387-20491	6-9	90501-12083	18-35	92501-06020
16-2	90389-12002	4-9	90501-20361	2-13	92501-06025
13-20	90430-04004	15-20	90502-08005	2-8	92501-06030
1-8	90430-12038	8-3	90504-18005	23-8	92501-06030
23-4	90430-27124	7-15	90506-09009	2-9	92501-06040

## NUMERICAL INDEX

Ref No.	Parts No.	Ref No.	Parts No.	Ref No.	Parts No.
2-10	92501-06043	29-17	92901-06100	3-17	92901-12100
1-5	92501-06050	19-22	92901-06100	16-7	92901-12100
1-6	92501-06060	31-9	92901-06100	25-37	92901-12200
1-7	92501-06070	31-13	92901-06100	21-10	92903-06100
1-15	92501-08010	34-12	92901-06100	30-10	92903-06300
30-5	92503-06015	34-19	92901-06100	13-16	93101-10001
32-10	92503-06015	34-32	92901-06100	13-6	93101-10002
33-9	92503-06015	17-21	92901-06200	7-13	93101-12060
14-16	92701-06012	30-15	92901-06200	8-18	93101-17062
24-11	92701-06012	31-12	92901-06200	25-13	93102-18008
10-5	92901-03100	32-11	92901-06300	3-15	93102-25061
11-12	92901-04100	33-10	92901-06300	5-25	93102-26042
14-7	92901-04100	10-19	92901-06600	3-21	93103-28011
6-6	92901-05100	15-4	92901-06600	25-31	93104-07003
13-15	92901-05100	15-19	92901-06600	9-8	93104-07036
15-27	92901-05100	18-30	92901-06600	4-20	93104-14004
16-14	92901-05100	18-38	92901-06600	26-37	93104-22018
18-40	92901-05100	19-38	92901-06600	25-24	93105-47007
34-8	92901-05100	21-18	92901-06600	26-15	93106-26005
34-16	92901-05100	29-18	92901-06600	7-4	93109-12012
15-28	92901-05600	34-20	92901-06600	4-22	93210-10096
16-15	92901-05600	34-33	92901-06600	1-29	93210-11073
34-9	92901-05600	12-17	92901-08100	25-32	93210-14104
10-9	92901-06100	12-28	92901-08100	9-6	93210-17239
10-18	92901-06100	15-6	92901-08100	3-22	93210-18023
10-26	92901-06100	16-20	92901-08100	2-15	93210-19123
12-6	92901-06100	18-21	92901-08100	12-3	93210-24235
12-20	92901-06100	19-31	92901-08100	26-14	93306-20204
12-26	92901-06100	20-15	92901-08100	3-14	93306-20517
15-18	92901-06100	22-10	92901-08100	25-12	93306-30103
16-18	92901-06100	26-43	92901-08100	26-29	93306-30203
18-7	92901-06100	27-15	92901-08100	5-24	93306-30401
18-13	92901-06100	28-23	92901-08100	3-20	93306-30405
18-26	92901-06100	32-18	92901-08100	5-10	93306-30414
18-29	92901-06100	33-20	92901-08100	3-10	93310-216A3
18-37	92901-06100	27-14	92901-08200	3-6	93310-42231
19-37	92901-06100	28-22	92901-08200	5-21	93311-31515
23-7	92901-06100	26-42	92901-08600	5-9	93315-31502
24-8	92901-06100	15-10	92901-10100	8-16	93410-17008

## NUMERICAL INDEX

Ref No.	Parts No.	Ref No.	Parts No.	Ref No.	Parts No.
25-18	93410-20009	30-16	95301-06600	21-17	97301-06022
8-12	93410-30012	31-14	95301-06600	10- 8	97301-06025
26-31	93410-52034	21- 9	95301-06700	10-25	97301-06025
6- 4	93430-03014	21-16	95301-06700	30-17	97301-06025
7-11	93430-08006	12-25	95301-06800	18-12	97301-06035
13- 9	93430-08006	18-10	95301-06800	29-16	97301-06030
17-18	93430-10015	30-11	95301-06800	12-27	97301-08012
6-14	93430-10017	30-23	95301-06800	22-11	97301-08015
8- 5	93440-10028	31- 8	95301-06800	17-14	97301-08025
5-20	93440-15012	31-15	95301-06800	27-13	97301-08025
5- 5	93440-20043	27-16	95301-08600	28-21	97301-08025
5-31	93440-20043	28-24	95301-08600	18-23	97301-08030
3-12	93450-17025	32- 7	95301-08600	12-18	97301-08035
20- 3	93501-04011	32-19	95301-08600	18-23	97301-08035
20- 6	93503-16010	33- 6	95301-08600	7- 3	97321-06020
6- 8	93505-16006	33-19	95301-08600	20-18	97323-08025
13-21	93505-32002	26-23	95301-08700	20-14	97323-08045
1-12	93603-12007	26-44	95301-08700	16-13	98501-05010
13- 4	93603-22028	18-22	95301-08800	5-12	98501-05012
6- 2	93604-22050	16-24	95301-12700	6- 7	98501-05012
16- 9	93700-06005	20-16	95303-08800	13-10	98501-05015
25- 6	94127-21112	17-15	95701-12100	34-15	98501-05018
25- 6	94127-21178	1-27	97301-06012	34- 7	98501-05025
26- 8	94132-18074	15- 3	97301-06012	34-11	98501-06025
26- 8	94132-18119	24- 9	97301-06012	11-11	98502-04014
25- 7	94227-21031	31-11	97301-06012	10- 6	98512-03008
26- 9	94232-18020	34-18	97301-06012	13-19	98901-04008
26-10	94327-18008	34-31	97301-06012		
25- 8	94327-21024	18-25	97301-06015		
25- 5	94416-21044	18-28	97301-06015		
26- 7	94418-18171	12-19	97301-06018		
26-33	94524-28110	16-17	97301-06018		
26-34	94624-28001	16-19	97301-08018		
1-23	94701-00045	19-36	97301-06018		
13-14	95301-05600	18- 9	97301-06020		
18-41	95301-05600	18- 8	97301-06020		
12- 7	95301-06600	21- 7	97301-06020		
18-36	95301-06600	21-14	97301-06020		
25-36	95301-06600	26-28	97301-06020		



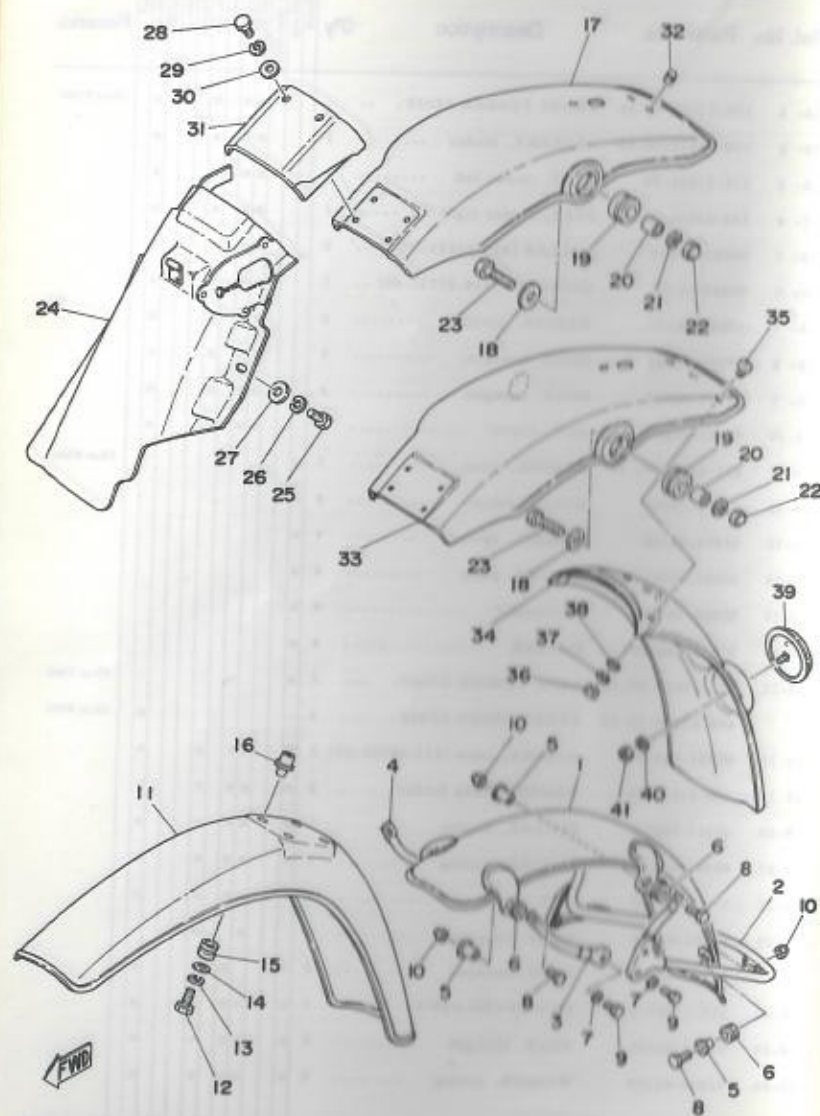
**YAMAHA MOTOR CO., LTD.**

PRINTED IN JAPAN

First edition Dec., 1975

(1F9-28198-E5)

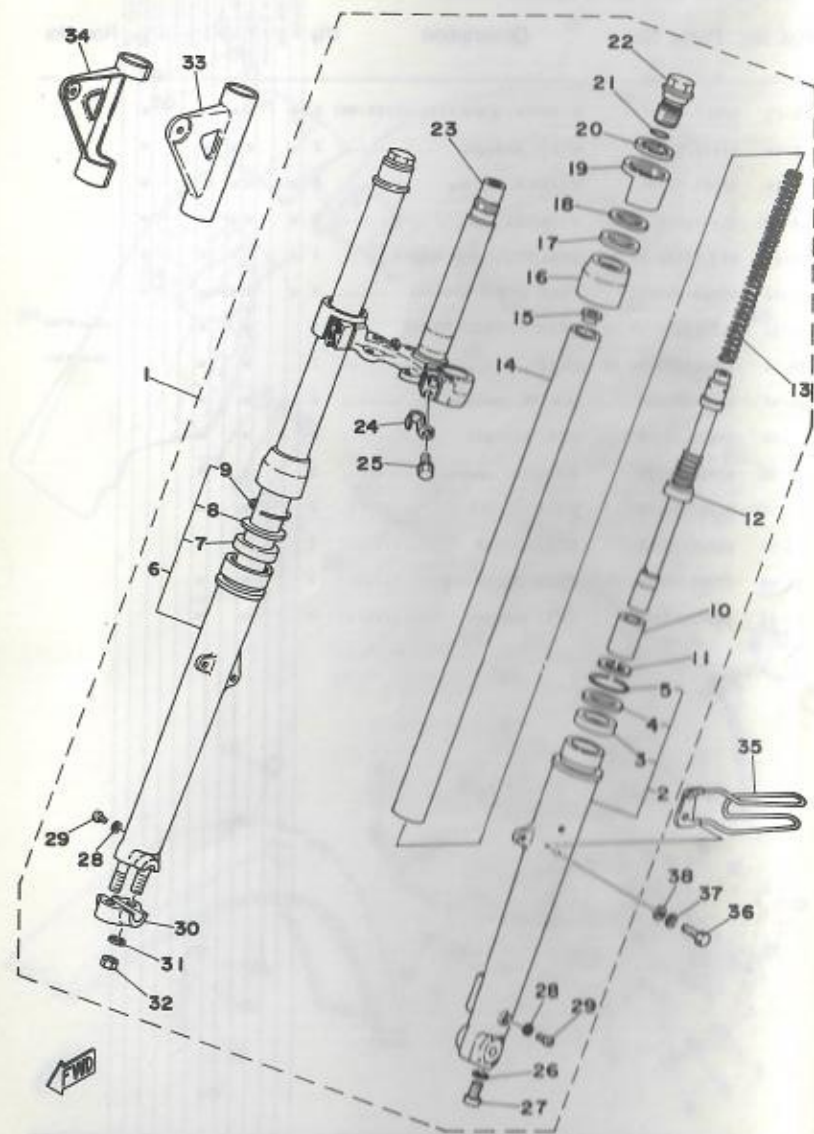
Fig. 18 FRONT FENDER · REAR FENDER



FRONT FENDER · REAR FENDER

Ref. No.	Parts No.	Description	Qty	ENGINE	SWAY BAR	WHEEL	WHEEL	WHEEL	WHEEL	WHEEL	WHEEL	WHEEL	WHEEL	WHEEL	REMARKS
				OPTION	W	W	W	W	W	W	W	W	W		
18-27	90201-06067	WASHER, plate (116-28324-00)	2	x		x	x						x		
18-28	97301-06015	BOLT, hexagon	2	x		x	x	x					x		
18-29	92901-06100	WASHER, spring	2	x		x	x	x					x		
18-30	92901-06600	WASHER, plate	2	x		x	x	x					x		
18-31	559-21612-00	BRACKET, rear fender	1	x		x	x	x					x		
18-32	90338-05056	PLUG (378-21279-00)	2	x		x	x	x					x		
18-33	437-21610-10-36	REAR FENDER COMP.	1		x		x	x							Clean White
18-34	458-21621-00-36	FLAP	1		x		x	x							Clean White
18-35	92501-06020	SCREW, panhead	2		x		x								
18-36	95301-06600	NUT, hexagon	2		x		x								
18-37	92901-06100	WASHER, spring	2		x		x								
18-38	92901-06600	WASHER, plate	2		x		x								
18-39	848-85131-01	REFLECTOR	1		x		x								
18-40	92901-05100	WASHER, spring	1		x		x								
18-41	95301-05600	NUT, hexagon	1		x		x								

Fig. 19 FRONT FORK



FRONT FORK

Ref. No.	Parts No.	Description	Q'ty	FRANCE	GERMANY	ENGLAND	AUSTRALIA	SPAIN	NETHERLANDS	SCANDINAVIA	IRELAND	ITALY	REMARKS
19- 1	1G1-23101-40	FRONT FORK ASS'Y	1										
	576-23101-00	FRONT FORK ASS'Y	1	x									
19- 2	315-23126-50	. TUBE, outer left	1	x									
19- 3	137-23145-01	. . OIL SEAL	1	x									
19- 4	315-23146-50	. . WASHER, oil seal	1	x									
19- 5	315-23156-50	. . CLIP, oil seal	1	x									
19- 6	315-23136-50	. TUBE, outer right	1	x									
19- 7	137-23145-01	. . OIL SEAL	1	x									
19- 8	315-23146-50	. . WASHER, oil seal	1	x									
19- 9	315-23156-50	. . CLIP, oil seal	1	x									
19-10	535-23171-00	. PISTON, front fork	2	x									
19-11	535-23183-01	. RING, snap	2	x									
19-12	525-23170-00	. CYLINDER COMP., front fork	2	x									
19-13	559-23141-00	. SPRING, fork	2	x									
19-14	525-23124-00	. TUBE, inner	2	x									
19-15	437-23117-01	. SEAT, spring upper	2	x									
19-16	248-23144-00	. SEAL, dust	2	x									
19-17	437-23163-00	. PACKING	2	x									
19-18	437-23161-00	. WASHER	2	x									
19-19	304-23122-50	. COVER, outer	2	x									
19-20	248-23115-01	. GUIDE, cover upper	2	x									
19-21	146-23114-00	. PACKING (O-RING)	2	x									
19-22	248-23111-01	. BOLT, cap	2	x									
19-23	1G1-23340-00-33	. UNDER BRACKET COMP.	1										
	559-23340-00-33	. UNDER BRACKET COMP.	1	x									
19-24	214-23318-00	. HOLDER, wire	1	x									
19-25	90119-08012	. BOLT, under bracket	4	x									
19-26	214-23158-00	. GASKET, drain plug	2	x									