

www.legends-yamaha-enduros.com

MODEL CT2 ('72 MODEL)

MODEL CT3 ('73 MODEL)

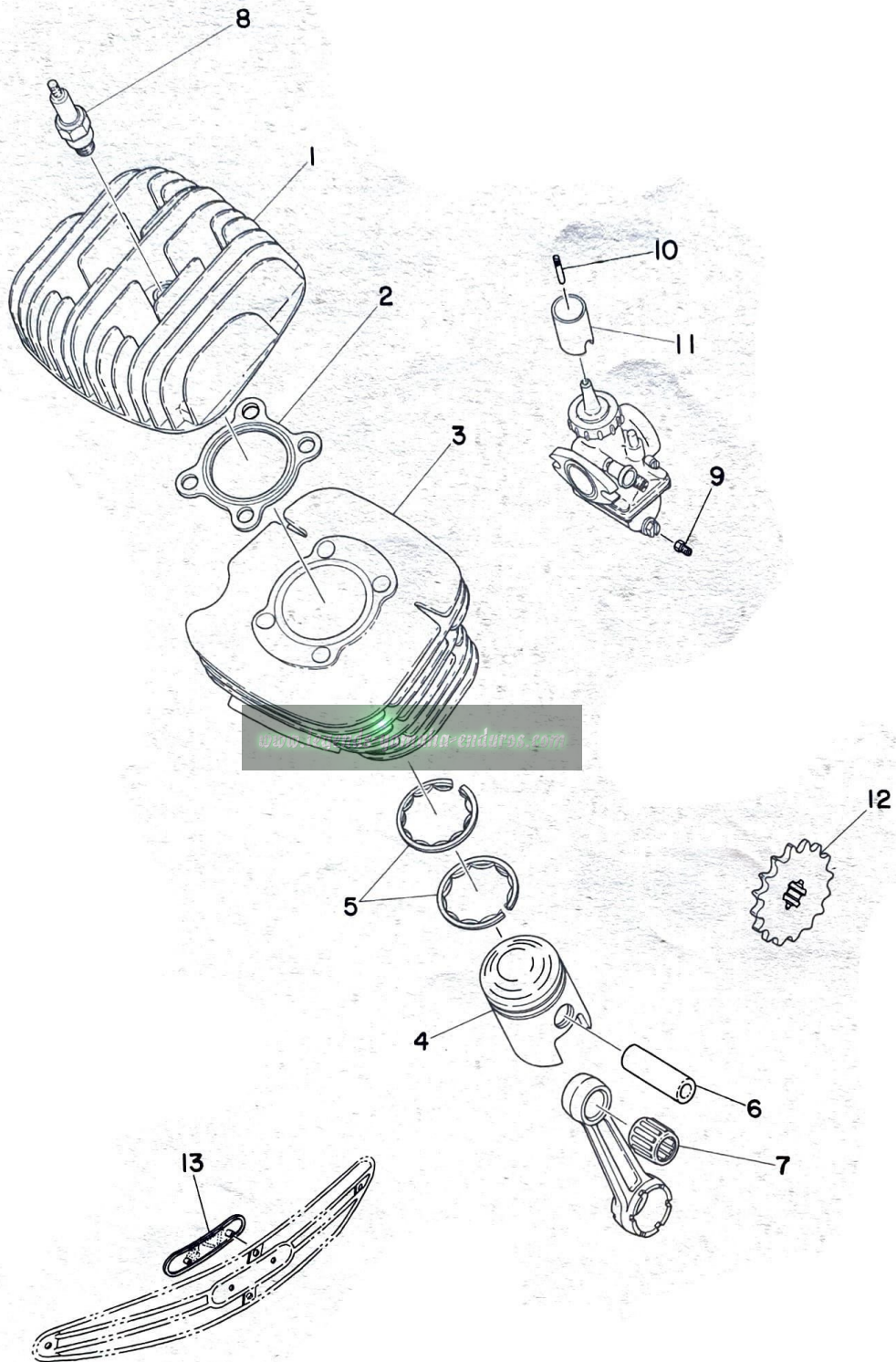
This Parts List is for the exclusive parts for the CT2, CT3.
Please refer to AT2J Parts List for the parts not listed in this
publication.

CONTENTS

Fig. 1	Engine	1
Fig. 2	Chassis	3
Fig. 3	Front, Rear Wheel	5
Fig. 4	Head Lamp	7

NUMERICAL INDEX

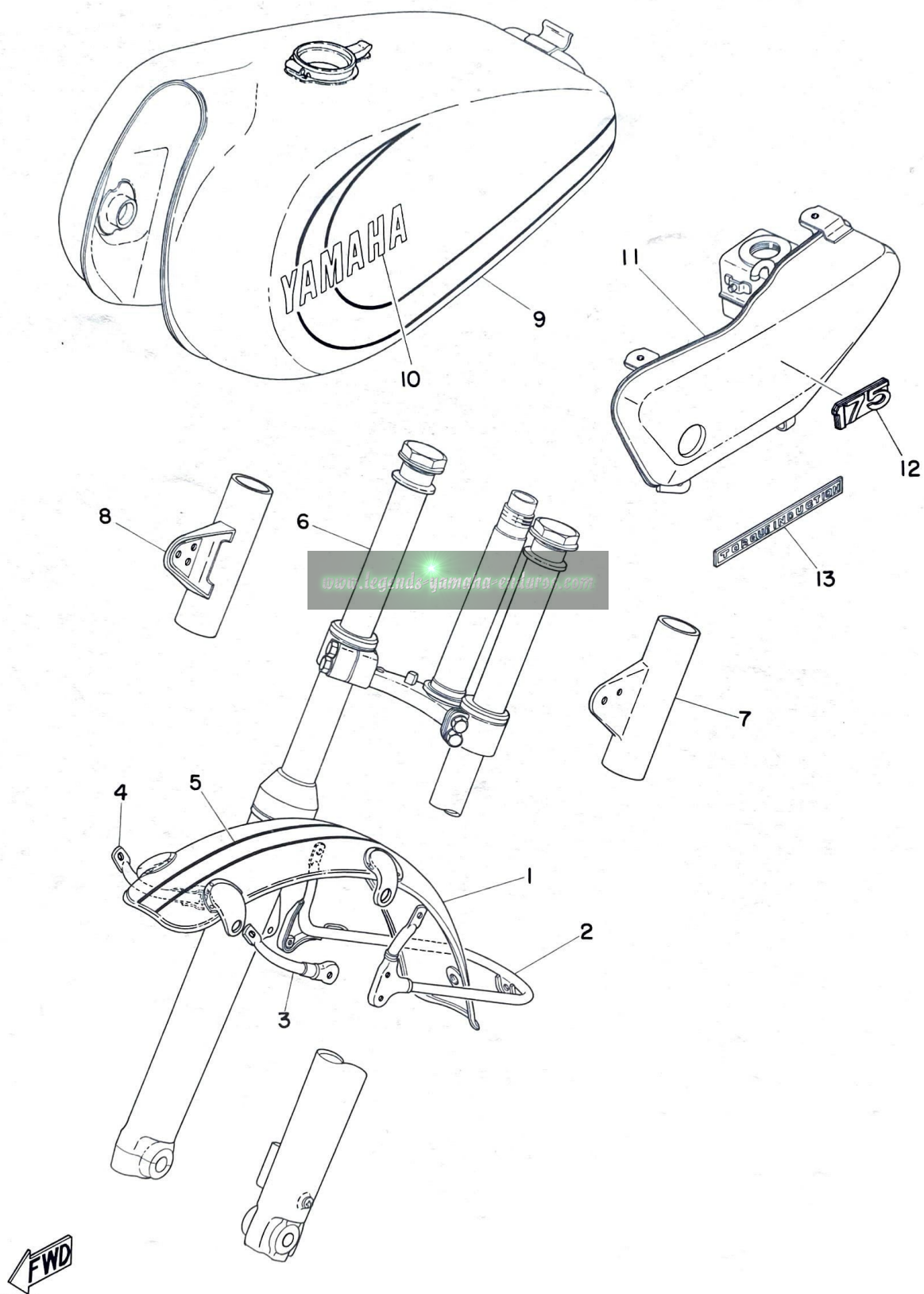
Fig. 1 ENGINE



ENGINE

Ref. No.	Part No.	Description	Q'ty		Applicable Machine No.	Remarks
			CT2	CT3		
1- 1	314-11111-00	HEAD, cylinder	1	1		
1- 2	251-11181-00	GASKET, cylinder head	1	1		
1- 3	314-11311-00	CYLINDER	1	4		
	314-11311-01	CYLINDER		1		
1- 4	314-11631-00-96	PISTON (STD) .96	1	1		
	314-11631-00-98	PISTON (STD) .98	1	1		
	314-11635-00	PISTON (1st O.S) .25	1	1		Alternate Parts
	314-11636-00	PISTON (2nd O.S) .50	1	1		Alternate Parts
1- 5	314-11610-00	PISTON RING SET (STD)	1	1		
	314-11610-10	PISTON RING SET (1st O.S) ..	1	1		Alternate Parts
	314-11610-20	PISTON RING SET (2nd O.S) ..	1	1		Alternate Parts
1- 6	251-11633-00	PIN, piston	1	1		
1- 7	93310-21632	BEARING, con-rod small end ..	1	1		
1- 8	94701-00044	PLUG, spark (B-7ES)	1	1		
	94701-00045	PLUG, spark (B-7ES)		1		
1- 0-1	314-14101-00	CARBURETOR ASS'Y	1	1		
1- 9	137-14143-40	. JET, main #190	1	1		Destined for highland area
	137-14343-38	. JET, main #200	1	1		
1-10	164-14116-40	. NEEDLE (4L6-3)	1	1		
1-11	314-14112-20	. VALVE, throttle (#2.0)	1	1		
1-12	174-17461-60	SPROCKET, drive (16T)	1	1		
1-13	314-14729-30	EMBLEM, protector	1	1		
ALTERNATE PARTS						
1- 8-1	94701-00045	PLUG, spark (B8ES)	1	1		for southeast Asia & nearest Asia

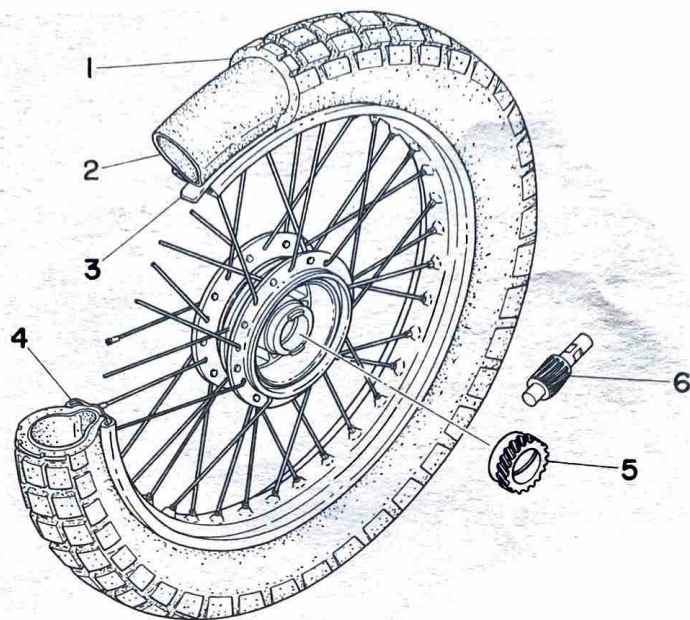
Fig. 2 CHASSIS



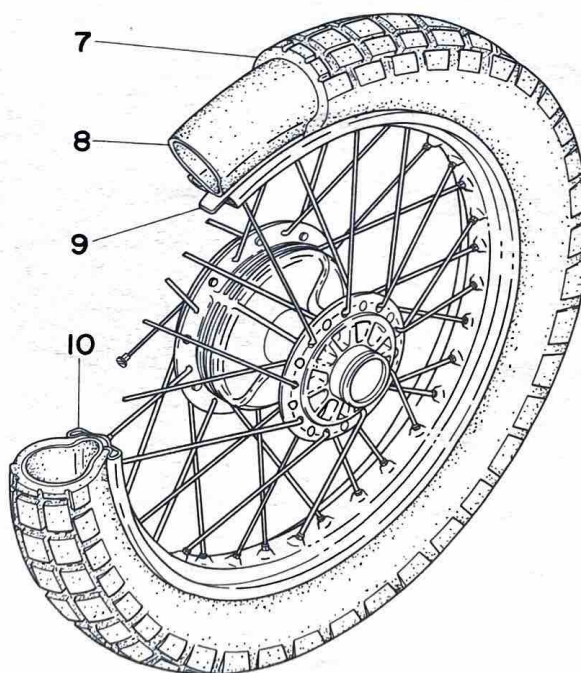
CHASSIS

Ref. No.	Part No.	Description	Q'ty		Applicable Machine No.	Remarks
			CT2	CT3		
2- 1	214-21510-00-35	FRONT FENDER COMP.	1	1		
2- 2	214-21512-00-93	BRACKET, fender	1	1		
2- 3	214-21513-00	STAY, fender left	1	1		
2- 4	214-21514-00	STAY, fender right	1	1		
2- 5	308-21519-00	STRIPE, fender		1		
2- 6	315-23101-50	FRONT FORK ASS'Y	1	1		
2- 7	291-23121-60-63	COVER, upper left	1			Brilliant Red
	291-23121-60-M2	COVER, upper left		1		Gold Dust
2- 8	291-23131-60-63	COVER, upper right	1			Brilliant Red
	291-23131-60-M2	COVER, upper right		1		Gold Dust
2- 9	315-24110-00-63	FUEL TANK COMP.	1			Brilliant Red
	315-24110-00-01	FUEL TANK COMP.		1		Gold Dust
2-10	322-24161-00	EMBLEM, fuel tank		2		
2-11	315-21705-01-63	OIL TANK COMP.	1			Brilliant Red
	315-21705-01-M2	OIL TANK COMP.		1		Gold Dust
2-12	315-21786-01-63	EMBLEM 175	1			Brilliant Red
	314-21786-00	EMBLEM 175		1		
2-13	308-21787-01	EMBLEM, torque induction ...		1		

Fig. 3 FRONT, REAR WHEEL



www.legendaryamaha-enduros.com

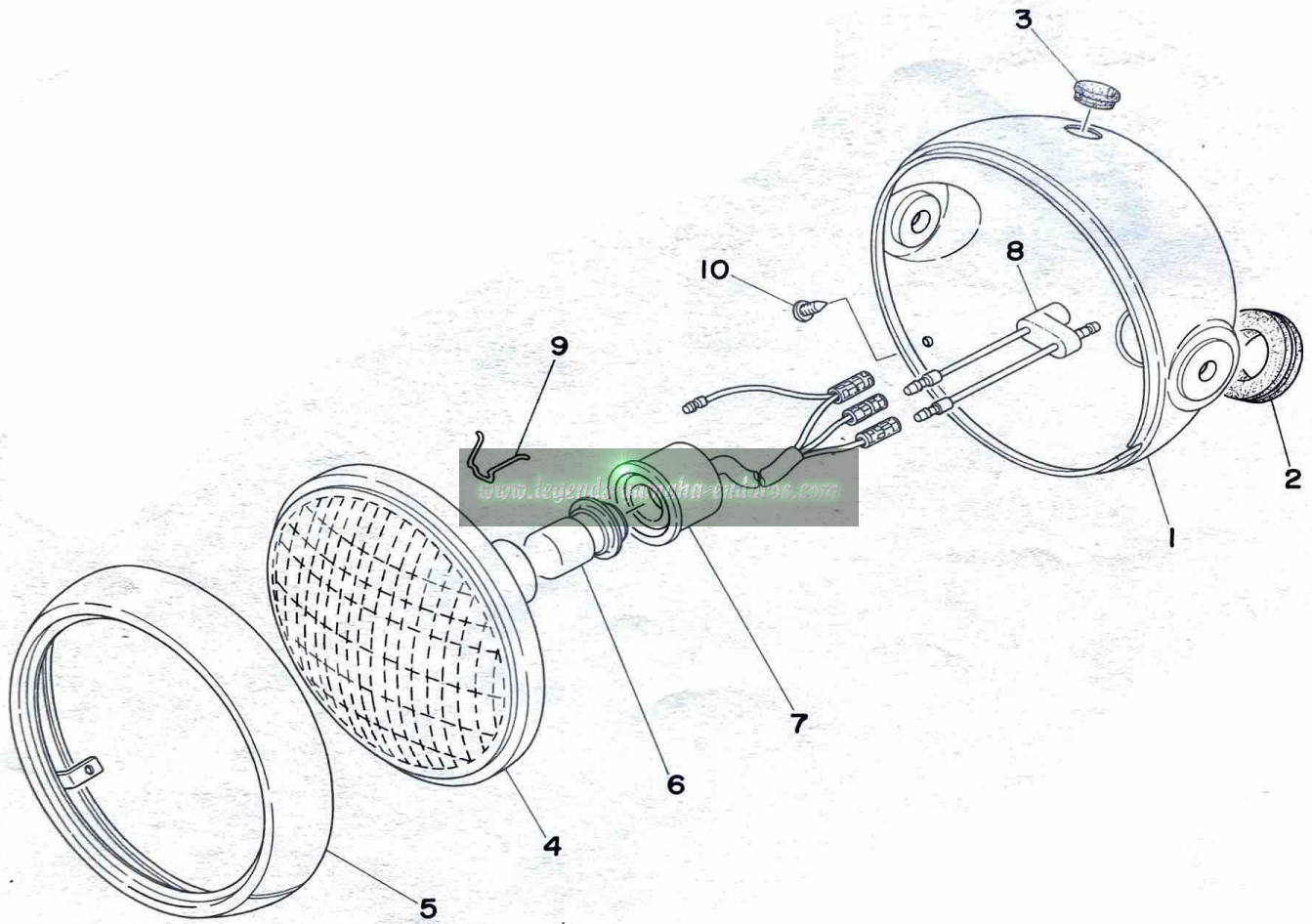


FRONT, REAR WHEEL

Ref. No.	Part No.	Description	Q'ty		Applicable Machine No.	Remarks
			CT2	CT3		
3- 1	94132-18074	TIRE, front (3.50-18-4PR)	1	1		
3- 2	94232-18020	TUBE (3.25-18)	1	1		
3- 3	94332-18016	BAND, rim (3.25-18)	1	1		
3- 4	94416-18046	RIM (1.60A-18)	1	1		
3- 5	301-25135-00	GEAR, drive	1	1		
3- 6	301-25138-00	GEAR, meter	1	1		
3- 7	94135-18079	TIRE, rear (3.25-18-4PR)	1	1		
3- 8	94235-18022	TUBE (3.50-18)	1	1		
3- 9	94335-18018	BAND, rim (3.50-18)	1	1		
3-10	94418-18045	RIM (1.80A-18)	1	1		

www.legends-yamaha-enduros.com

Fig. 4 HEAD LAMP



HEAD LAMP

Ref. No.	Part No.	Description	Q'ty		Applicable Machine No.	Remarks
			CT2	CT3		
4- 1	214-84130-61-63	BODY ASS'Y	1			Brilliant Red
	214-84130-61-M2	BODY ASS'Y		1		Gold Dust
4- 2	214-84153-60	. GROMMET	1	1		
4- 3	214-84154-60	. GROMMET	1	1		
4- 0-1	251-84110-00	HEAD LAMP UNIT ASS'Y	1	1		
4- 4	237-84320-00	. LENS ASS'Y	1	1		
4- 5	237-84315-00	. RIM, head lamp	1	1		
4- 6	251-84114-00	. BULB (6V 25WD)	1	1		
4- 7	214-84112-61	. SOCKET	1	1		
4- 8	214-84159-60	. CORD, head lamp	1	1		
4- 9	195-84324-00	. SPRING, reflector set	3	3		
4-10	195-84325-00	. SCREW, rim fitting	1	1		

www.legend-yamaha-enduros.com

NUMERICAL INDEX

Ref No.	Parts No.	Ref No.	Parts No.	Ref No.	Parts No.
1- 9	137-14143-40	1- 4	314-11635-00		
1- 9	137-14343-38	1- 4	314-11636-00		
1-10	164-14116-40	1- 0-1	314-14101-00		
1-12	174-17461-60	1-11	314-14112-20		
4- 9	195-84324-00	1-13	314-14729-30		
4-10	195-84325-00	2-12	314-21786-00		
2- 1	214-2151-00-35	2-11	315-21705-01-M2		
2- 2	214-21512-00-93	2-11	315-21705-01-63		
2- 3	214-21513-00	2-12	315-21786-01-63		
2- 4	214-21514-00	2- 6	315-23101-50		
4- 7	214-84112-61	2- 9	315-24110-00-01		
4- 1	214-84130-61-M2	2- 9	315-24110-00-63		
4- 1	214-84130-61-63	2-10	322-24161-00		
4- 2	214-84153-60	1- 7	93310-21632		
4- 3	214-84154-60	3- 1	94132-18074		
4- 8	214-84159-60	3- 7	94135-18079		
4- 5	237-84315-00	3- 2	94232-18020		
4- 4	237-84320-00	3- 8	94235-18022		
1- 2	251-11181-00	3- 3	94332-18016		
1- 6	251-11633-00	3- 9	94335-18018		
4- 0-1	251-84110-00	3- 4	94416-18046		
4- 6	251-84114-00	3-10	94418-18045		
2- 7	291-23121-60-M2	1- 8	94701-00044		
2- 7	291-23121-60-63	1- 8	94701-00045		
2- 8	291-23131-60-M2				
2- 8	291-23131-60-63				
3- 5	301-25135-00				
3- 6	301-25138-00				
2- 5	308-21519-00				
2-13	308-21787-01				
1- 1	314-11111-00				
1- 3	314-11311-00				
1- 3	314-11311-01				
1- 5	314-11610-00				
1- 5	314-11610-10				
1- 5	314-11610-20				
1- 4	314-11631-00-96				
1- 4	314-11631-00-98				

www.legends-yamaha-enduros.com



YAMAHA MOTOR CO., LTD.

PRINTED IN JAPAN

Second edition July, 1972

(315-22)