

# MODEL DT175B

[www.legends-yamaha-enduros.com](http://www.legends-yamaha-enduros.com)

## NOTICE

ALL PART NUMBERS CONTAINED IN THIS CATALOGUE ARE COMPRISED OF TEN DIGITS. WHEN ORDERING, PLEASE ADD TWO ZEROS TO THE END OF EACH PART NUMBER REQUIRED TO CONVERT THE TEN DIGITS INTO THE NEW TWELVE DIGIT NUMBERS.

This Parts List is for the exclusive parts for the DT175B. Please refer to DT175A Parts List for the parts not listed in this publication.

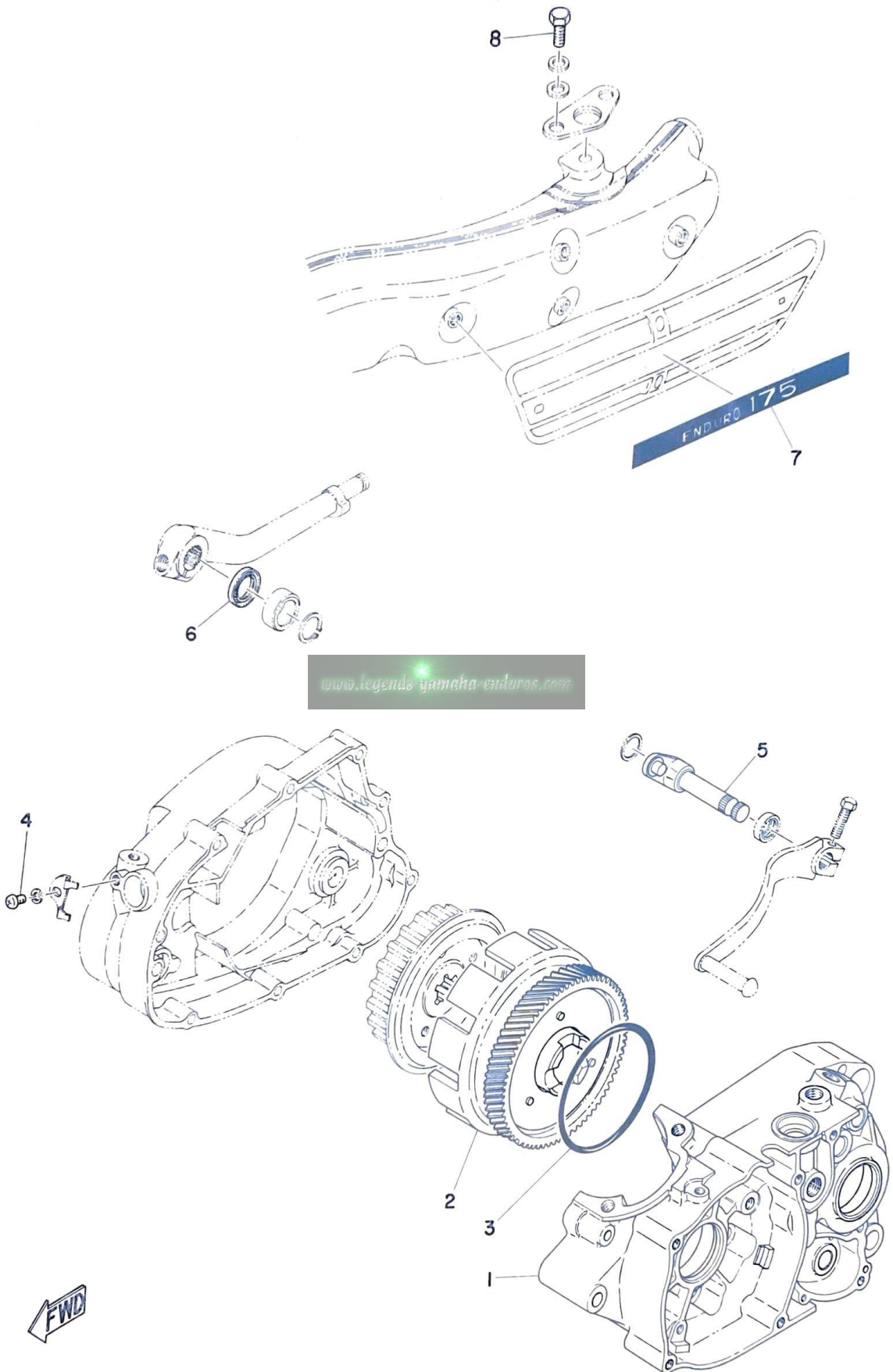
# CONTENTS

Fig. 1	Engine	.....	1
Fig. 2	Chassis 1	.....	3
Fig. 3	Chassis 2	.....	7

## NUMERICAL INDEX

[www.legends-yamaha-enduro.com](http://www.legends-yamaha-enduro.com)

Fig. 1 ENGINE

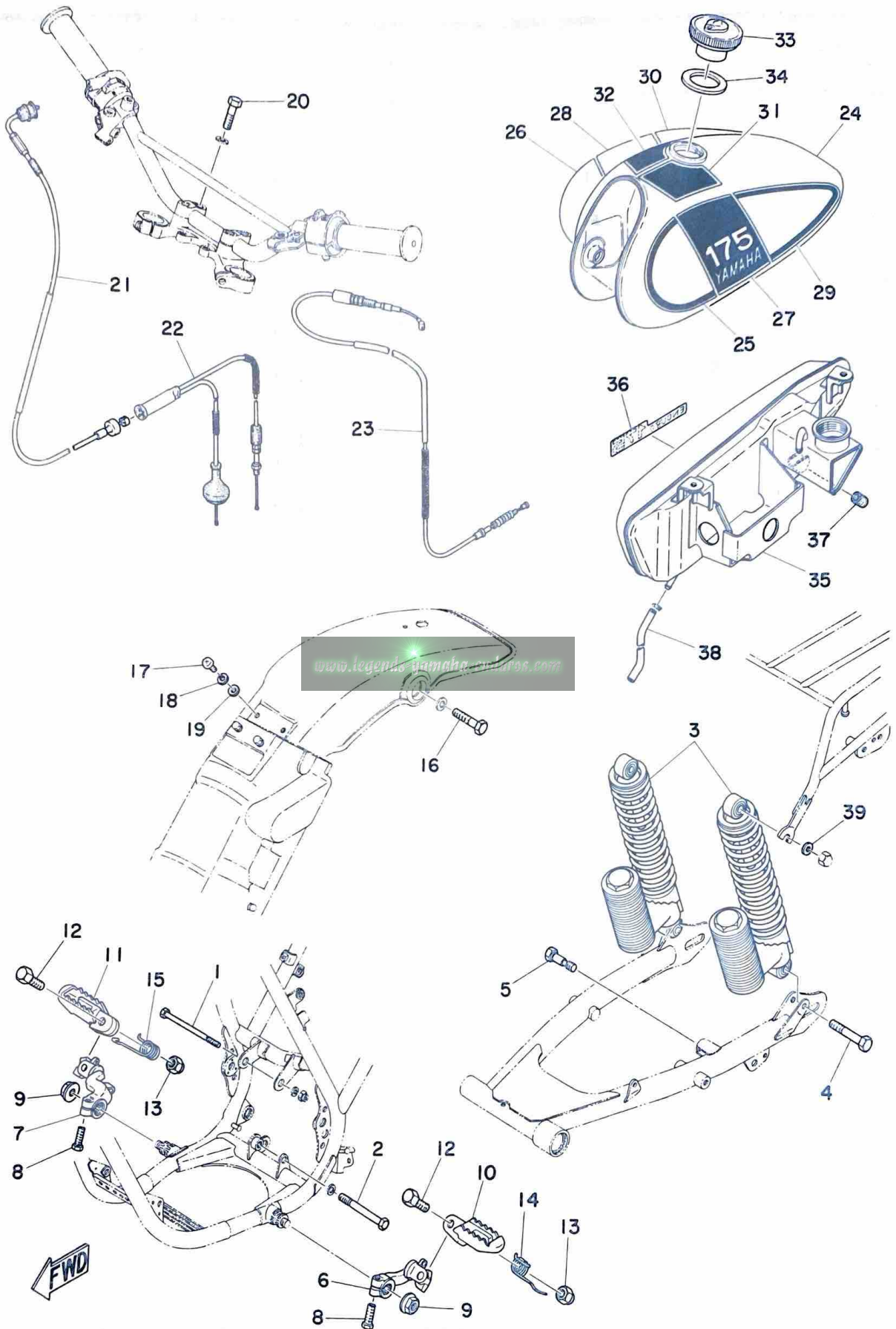


# ENGINE

Ref. No.	Parts No.	Description	Q'ty	Applicable Machine No.	Remarks
1- 1	443-15111-02	CASE, crank left	1		
1- 0-1	443-16301-01	CLUTCH ASS'Y	1		
1- 2	443-16150-00	. PRIMARY DRIVEN GEAR COMP. (74T)	1		
1- 3	93210-98202	. O-RING (5.33-97.76)	1		
1- 4	92501-06010	SCREW, panhead	1		
1- 5	401-18102-00	CHANGE SHAFT 2 ASS'Y	1		
1- 6	93101-17062	OIL SEAL (S-17-25-4)	1		
1- 7	443-14729-01	EMBLEM, protector	1		
1- 8	91201-06018	BOLT	1		

[www.legends-yamaha-enduros.com](http://www.legends-yamaha-enduros.com)

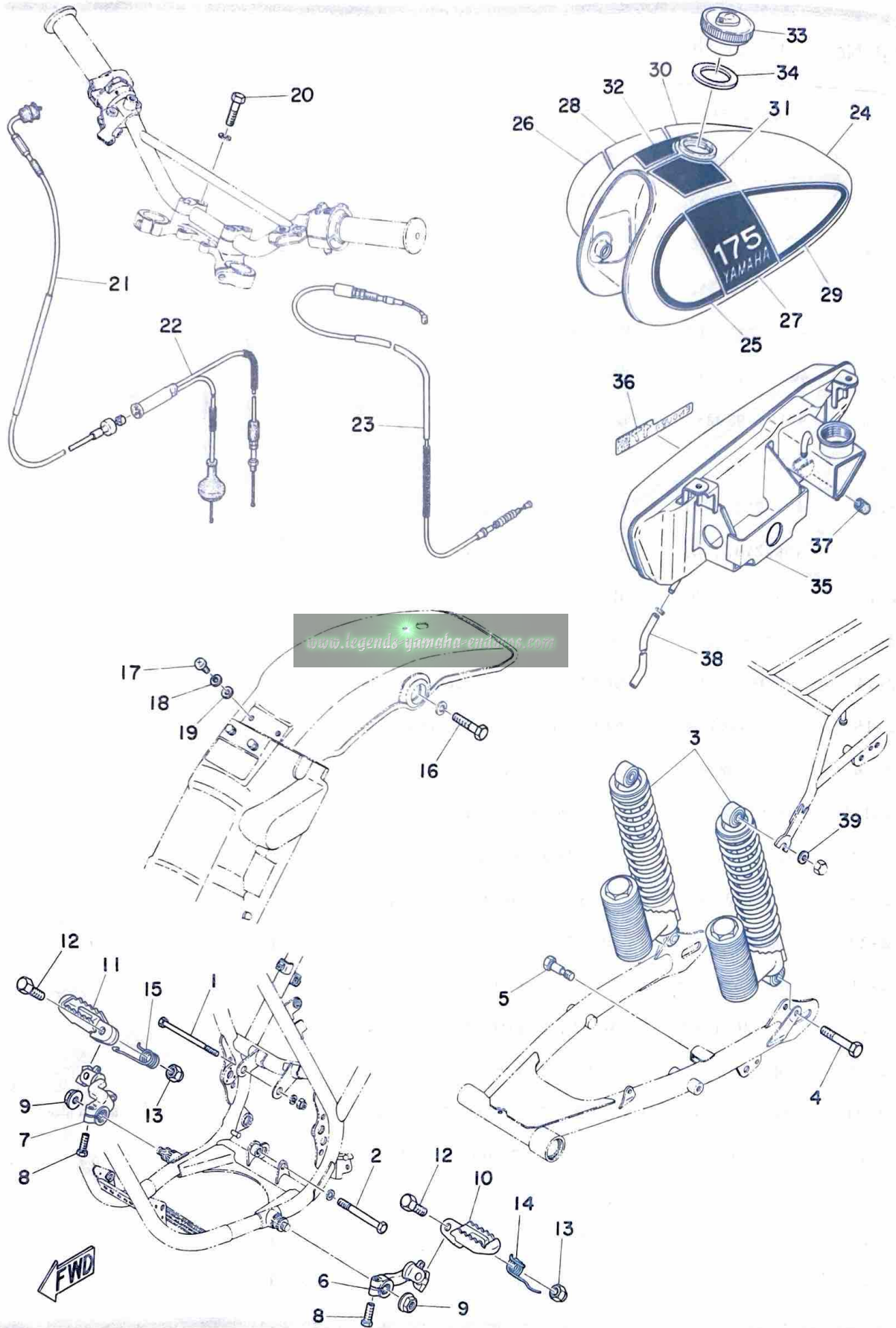
Fig. 2 CHASSIS 1



# CHASSIS 1

Ref. No.	Parts No.	Description	Q'ty	Applicable Machine No.	Remarks
2- 1	90109-08348	BOLT, hexagon	1		
2- 2	90109-10346	BOLT, engine mounting	1		
2- 3	427-22210-02	REAR CUSHION ASS'Y	2		
2- 4	214-22241-00	BOLT, rear cushion	2		
2- 5	90109-10195	BOLT	2		
2- 6	437-27412-10	BRACKET, footrest left	1		
2- 7	437-27422-10	BRACKET, footrest right	1		
2- 8	97101-08025	BOLT	2		
2- 9	90179-12062	NUT	2		
2-10	498-27411-01	FOOTREST, left	1		
2-11	498-27421-01	FOOTREST, right	1		
2-12	90101-08206	BOLT	2		
2-13	90185-03012	NUT, selflocking	2		
2-14	90508-26138	SPRING, return footrest left	1		
2-15	90508-26139	SPRING, return footrest right	1		
2-16	97201-08045	BOLT	2		
2-17	92501-06012	SCREW, panhead	2		
2-18	92901-06100	WASHER, spring	2		
2-19	92901-06200	WASHER, plain	2		
2-20	90101-08131	BOLT	4		
2-21	443-26311-00	WIRE, throttle 1	1		
2-22	443-26312-02	WIRE, throttle 2	1		
2-23	443-26335-00	WIRE, clutch	1		
2-24	443-24110-10-01	FUEL TANK COMP.	1		Balboa Blue
2-25	443-24244-30	. GRAPHIC, fuel tank 1	1		
2-26	443-24245-30	. GRAPHIC, fuel tank 2	1		
2-27	443-24246-30	. GRAPHIC, fuel tank 3	1		
2-28	443-24247-30	. GRAPHIC, fuel tank 4	1		

Fig. 2 CHASSIS 1



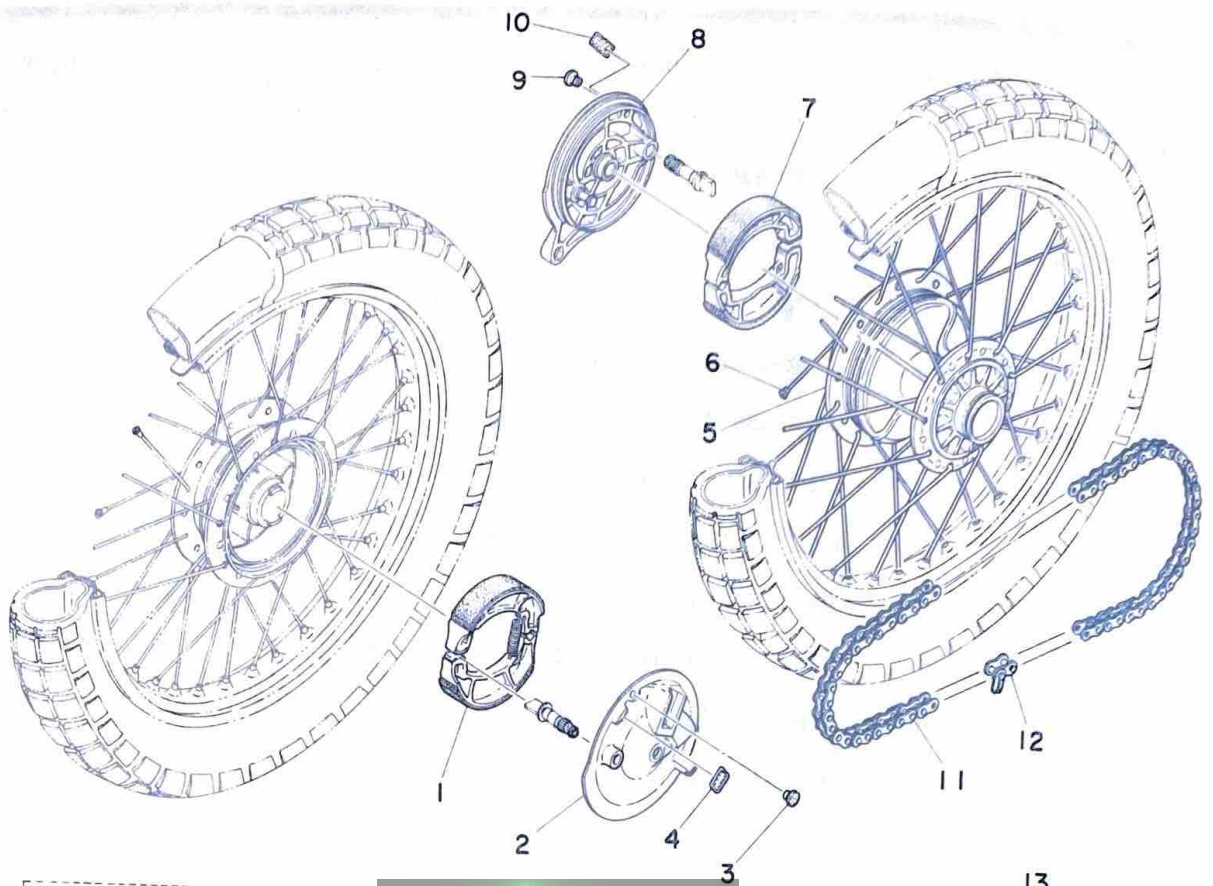
# CHASSIS 1

Ref. No.	Parts No.	Description	Q'ty	Applicable Machine No.	Remarks
2-29	443-24248-30	. GRAPHIC, fuel tank 5	..... 1		
2-30	443-24249-30	. GRAPHIC, fuel tank 6	..... 1		
2-31	443-24254-30	. GRAPHIC, fuel tank 7	..... 1		
2-32	443-24255-30	. GRAPHIC, fuel tank 8	..... 1		
2-33	498-24602-00	CAP ASS'Y	..... 1		
2-34	498-24612-00	. PACKING, cap	..... 1		
2-35	437-21705-00-G6	OIL TANK ASS'Y	..... 1		Balboa Blue
2-36	443-21787-20	EMBLEM, enduro	..... 1		
2-37	437-21779-00	DAMPER, oil tank	..... 1		
2-38	353-21766-00	PIPE, oil (5-380)	..... 1		
2-39	92901-10200	WASHER, plain	..... 2		

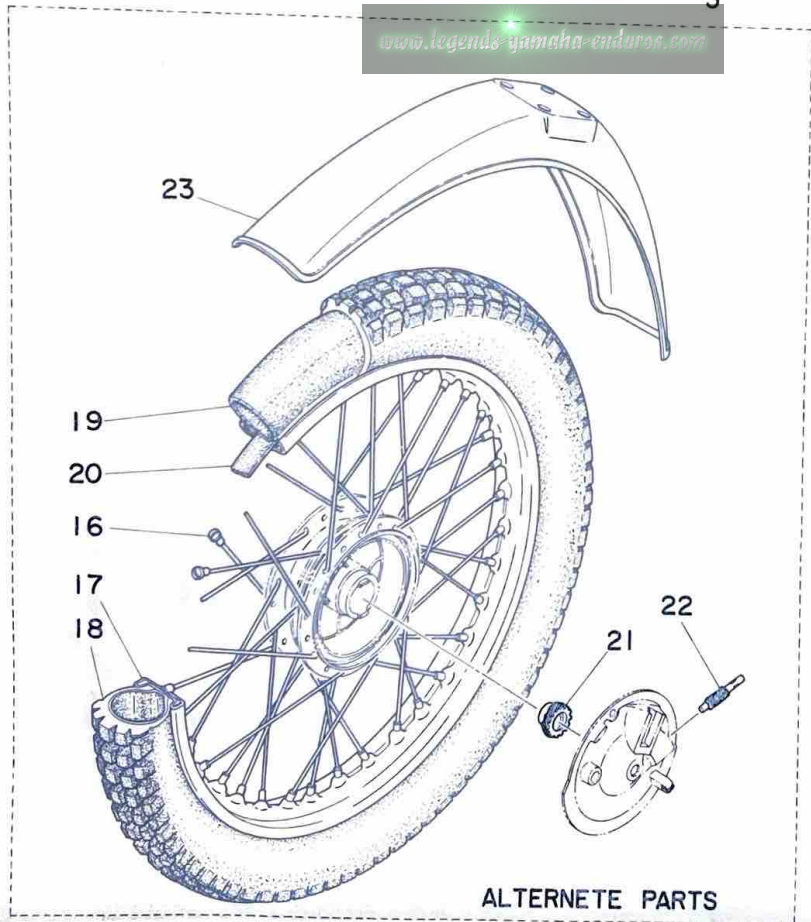
[www.legends-yamaha-enduros.com](http://www.legends-yamaha-enduros.com)



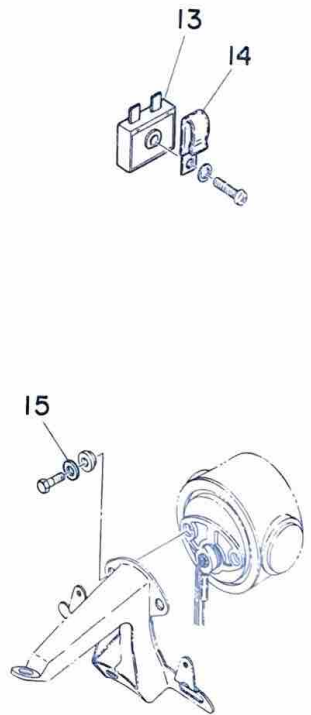
Fig. 3 CHASSIS 2



[www.legends-yamaha-enduros.com](http://www.legends-yamaha-enduros.com)



ALTERNETE PARTS



FWD

## CHASSIS 2

Ref. No.	Parts No.	Description	Q'ty	Applicable Machine No.	Remarks
3- 1	437-25330-00	BRAKE SHOE COMP. ....	2		
3- 2	443-25120-10	PLATE BRAKE SHOE ASS'Y ...	1		
3- 3	90480-10068	. GROMMET .....	1		
3- 4	437-25134-00	. LABEL, indicator .....	1		
3- 5	443-25311-00	HUB .....	1		
3- 6	443-25304-00	SPOKE SET .....	1s		
3- 7	437-25330-00	BRAKE SHOE COMP. ....	2		
3- 8	437-25320-10	PLATE BRAKE SHOE ASS'Y ...	1		
3- 9	90480-10068	. GROMMET .....	1		
3-10	437-25134-00	. LABEL, indicator .....	1		
3-11	94524-28112	CHAIN (DK428H-112L) .....	1		
3-12	94624-28001	. JOINT, chain .....	1		
3-13	353-81970-61	RECTIFIER ASS'Y <small>Yamaha enduro</small> .....	1		
3-14	90465-06038	CLAMP .....	1		
3-15	437-84525-60	WASHER, special .....	2		

### ALTERNATE PARTS

(EQUIPPED WITH 2.75-21 inch FRONT WHEEL)

3-16	458-25104-00	SPOKE SET .....	1s		
3-17	94416-21123	RIM (1.60-21) .....	1		
3-18	94127-21112	TIRE (2.75-21-4PR) .....	1		
3-19	94227-21031	TUBE (2.75-21) .....	1		
3-20	94327-21024	BAND, rim (2.75-21) .....	1		
3-21	248-25135-10	GEAR, drive .....	1		
3-22	248-25138-10	GEAR, meter .....	1		
3-23	401-21511-00-20	FENDER, front .....	1		Crystal silver

# NUMERICAL INDEX

Ref No.	Parts No.	Ref No.	Parts No.	Ref No.	Parts No.
2- 4	214-22241-00	3-16	458-25104-00		
3-21	248-25135-10	2-33	498-24602-00		
3-22	248-25138-10	2-34	498-24612-00		
2-38	353-21766-00	2-10	498-27411-01		
3-13	353-81970-61	2-11	498-27421-01		
1- 5	401-18102-00	2-20	90101-08131		
3-23	401-21511-00-20	2-12	90101-08206		
2- 3	427-22210-02	2- 1	90109-08348		
2-35	437-21705-00-G6	2- 5	90109-10195		
2-37	437-21779-00	2- 2	90109-10346		
3- 4	437-25134-00	2- 9	90179-12062		
3-10	437-25134-00	2-13	90185-03012		
3- 8	437-25320-10	3-14	90465-06038		
3- 1	437-25330-00	3- 3	90480-10068		
3- 7	437-25330-00	3- 9	90480-10068		
2- 6	437-27412-10	2-14	90508-26138		
2- 7	437-27422-10	2-15	90508-26139		
3-15	437-84525-60	1- 8	91201-06018		
1- 7	443-14729-01	1- 4	92501-06010		
1- 1	443-15111-02	2-17	92501-06012		
1- 2	443-16150-00	2-18	92901-06100		
1- 0-1	443-16301-01	2-19	92901-06200		
2-36	443-21787-20	2-39	92901-10200		
2-24	443-24110-10-01	1- 6	93101-17062		
2-25	443-24244-30	1- 3	93210-98202		
2-26	443-24245-30	3-18	94127-21112		
2-27	443-24246-30	3-19	94227-21031		
2-28	443-24247-30	3-20	94327-21024		
2-29	443-24248-30	3-17	94416-21123		
2-30	443-24249-30	3-11	94524-28112		
2-31	443-24254-30	3-12	94624-28001		
2-32	443-24255-30	2- 8	97101-08025		
3- 2	443-25120-10	2-16	97201-08045		
3- 6	443-25304-00				
3- 5	443-25311-00				
2-21	443-26311-00				
2-22	443-26312-02				
2-23	443-26335-00				

[www.legends-yamaha-enduros.com](http://www.legends-yamaha-enduros.com)



**YAMAHA MOTOR CO., LTD.**

**PRINTED IN JAPAN**

**First edition May , 1974**

**(LIT-10014-43-01)(443-28198-80)**