

**MODEL DT1C**

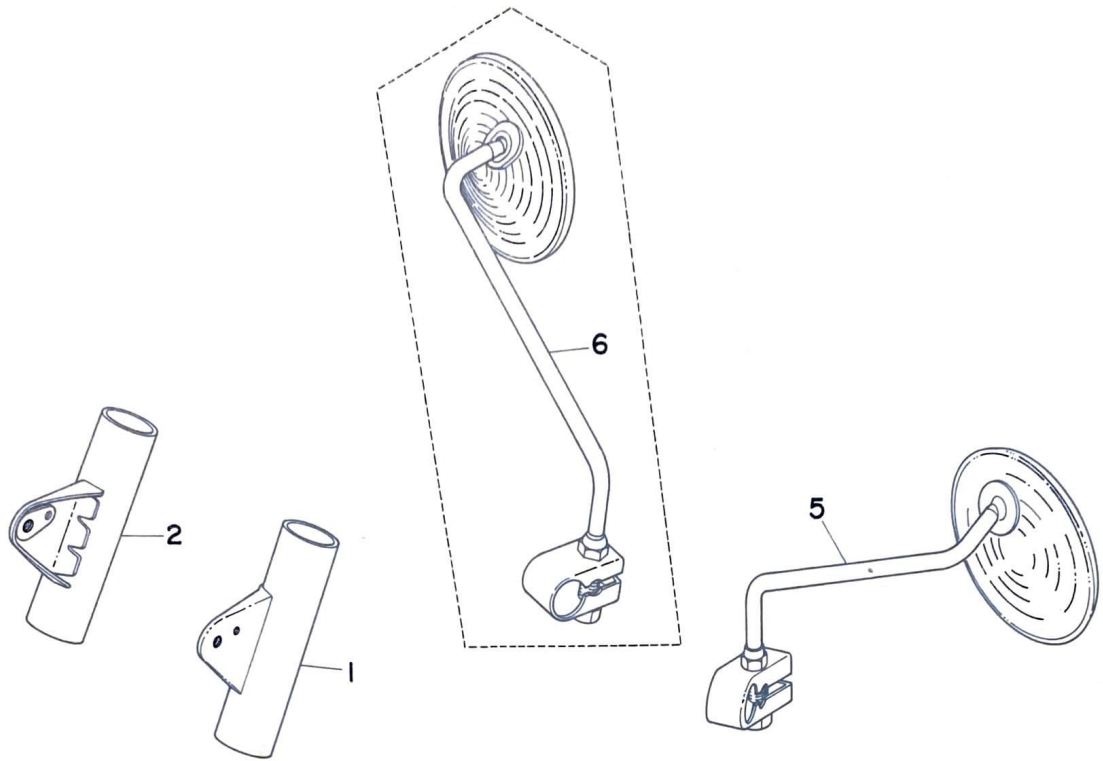
**MODEL DT1C-S**

[www.legends-yamaha-enduros.com](http://www.legends-yamaha-enduros.com)

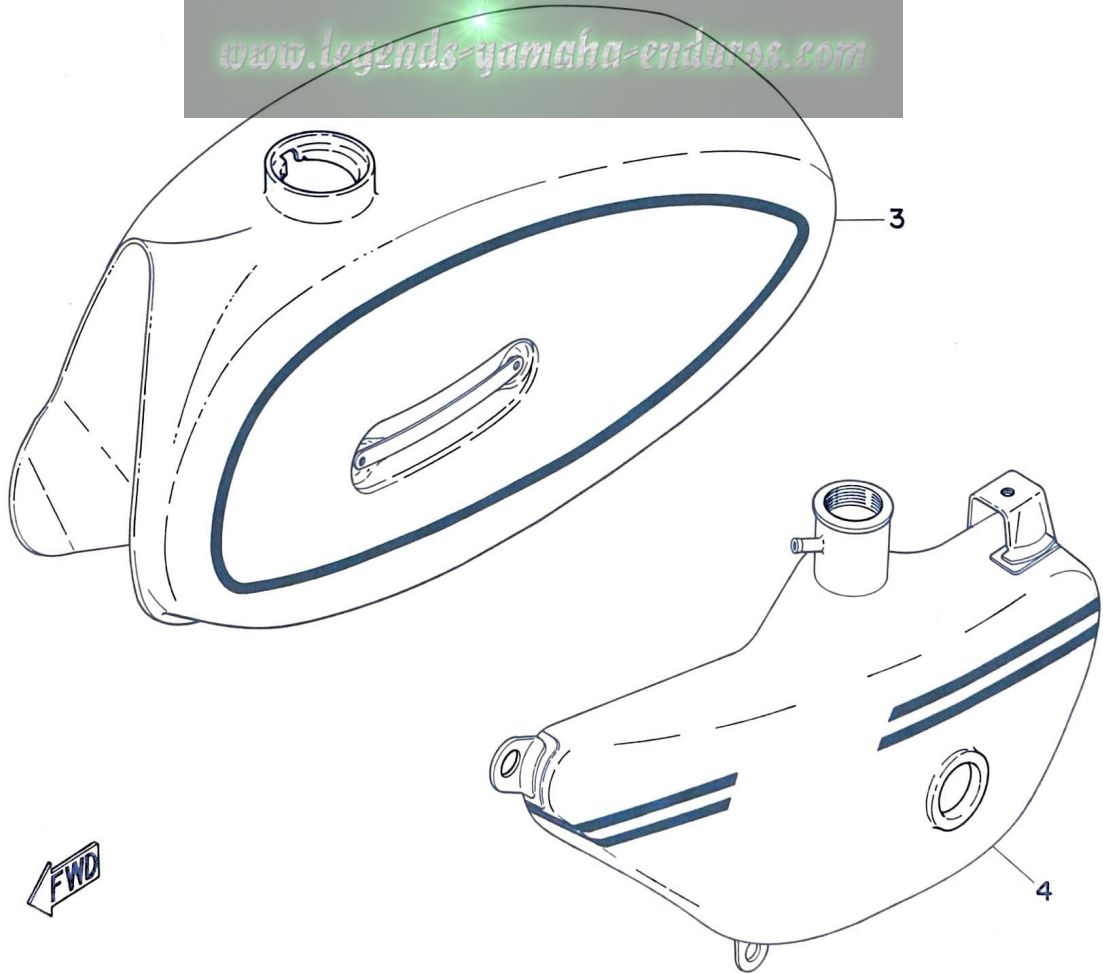
This Parts List is for the exclusive parts for the DT1C/DT1C-S

Please refer to DT1 Parts List for the parts not listed in this publication.

Fig. 1 FRONT FORK & FUEL TANK



[www.legends-yamaha-enduros.com](http://www.legends-yamaha-enduros.com)



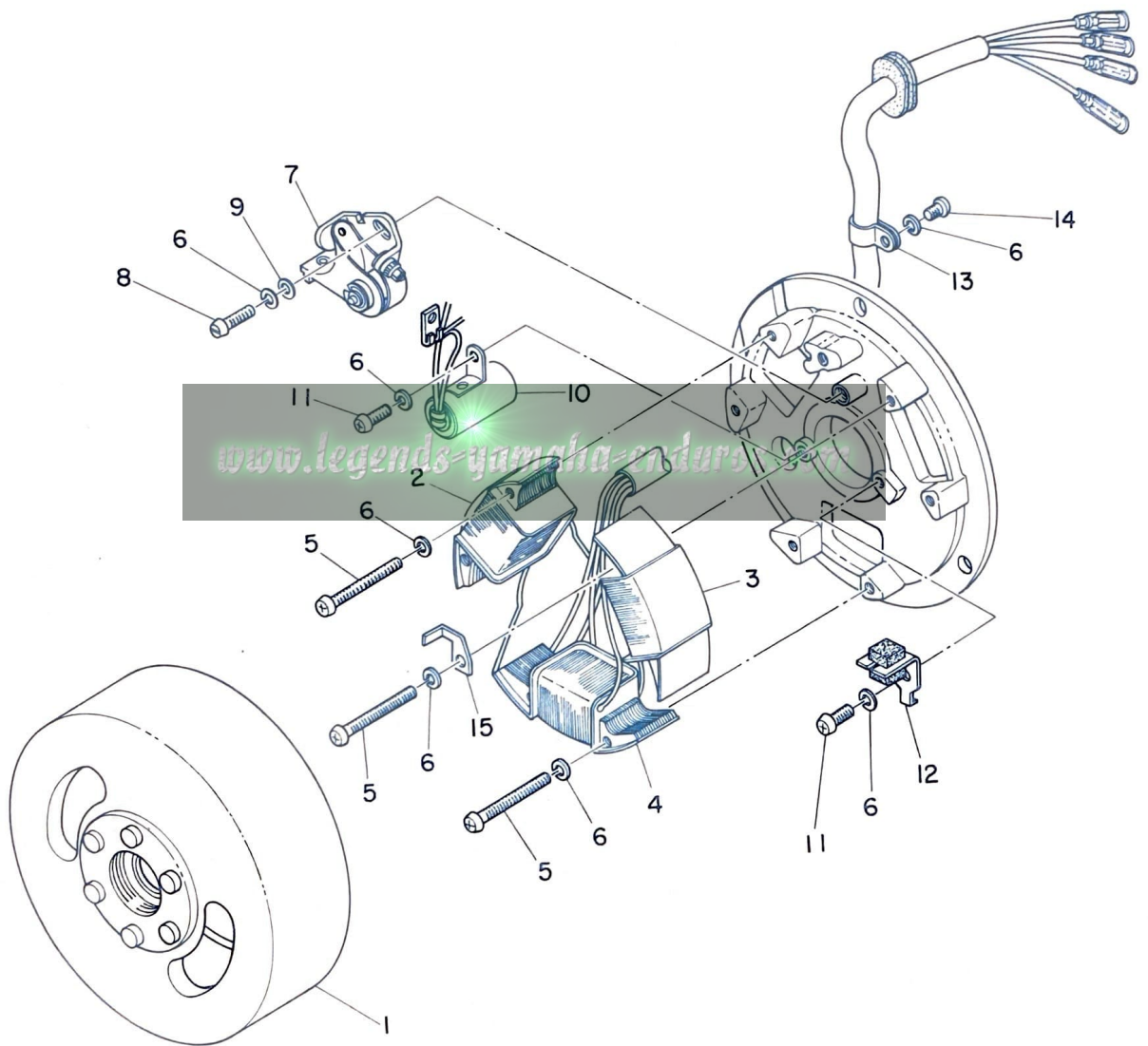
FWD

# FRONT FORK & FUEL TANK

Ref No.	Parts No.	Parts Name	Description	Q'ty		S·R	Remarks
				DTIC	DTIC-S		
1- 0-1	233-23100-00-56	FRONT FORK ASS'Y		1			Brillant Red
1- 0-2	264-23100-60-56	FRONT FORK ASS'Y			1		Brillant Red
1- 1	214-23121-01-63	. COVER, upper (L,H)		1	1		Brillant Red
1- 2	214-23131-01-63	. COVER, upper (R,H)		1	1		Brillant Red
1- 3	214-24110-03-04	FUEL TANK COMP.		1	1		Brillant Red
1- 4	214-21705-00-03	OIL TANK ASS'Y		1	1		Brillant Red
1- 5	253-26290-10	BACK MIRROR ASS'Y (L. H)		1	1		
		<b>ALTERNATE PARTS</b>					
1- 6	253-26290-00	BACK MIRROR ASS'Y (R. H)		1	1		

[www.legends-yamaha-enduros.com](http://www.legends-yamaha-enduros.com)

Fig. 2 FLYWHEEL MAGNETO



# FLYWHEEL MAGNETO

Ref No.	Parts No.	Parts Name	Description	Q'ty		S·R	Remarks
				DTIC	DTIC-S		
2- 0-1	233-81300-20	FLYWHEEL MAGNETO ASS'Y	(ISO)	1	1		
2- 1	214-81350-22	. ROTOR ASS'Y		1	1		
2- 2	214-81312-21	. COIL, source		1	1		
2- 3	233-81313-20	. COIL, lighting (1)		1	1		
2- 4	233-81314-20	. COIL, lighting (2)		1	1		
2- 5	110-81348-20	. SCREW, pan head	(ISO)	6	6		
2- 6	92901-04100	. WASHER, spring		10	10		
2- 7	214-81321-20	. CONTACT BREAKER ASS'Y		1	1		
2- 8	110-81347-20	. SCREW, pan head	(ISO)	1	1		
2- 9	92901-04200	. WASHER, plain		1	1		
2-10	214-81326-20	. CONDENSER		1	1		
2-11	110-81346-20	. SCREW, pan head	(ISO)	2	2		
2-12	120-81331-20	. LUBRICATOR		1	1		
2-13	104-81328-20	. CLAMP, lead		1	1		
2-14	110-81345-20	. SCREW, pan head	(ISO)	1	1		
2-15	214-81332-21	. PLATE, timing		1	1		

www.legends-yamaha-enduros.com





# HEAD LAMP & ELECTRICAL

Ref No.	Parts No.	Parts Name	Description	Q'ty		S·R	Remarks
				DTIC	DTIC-S		
3- 1	214-84130-61-63	BODY ASS'Y		1	1		Brilliant Red
3- 2	214-84153-60	. GROMMET		1	1		
3- 3	214-84154-60	. GROMMET		1	1		
3- 0-1	233-84110-60	HEAD LAMP UNIT ASS'Y	(ISO)	1	1		
3- 4	233-84120-60	. LENS ASS'Y		1	1		
3- 5	233-84115-60	. RIM, head lamp	(ISO)	1	1		
3- 6	98501-05012	. SCREW, pan head	(ISO)	2	2		
3- 7	98801-05200	. NUT	(ISO)	2	2		
3- 8	92901-05100	. WASHER, spring		2	2		
3- 9	261-84312-61	. SOCKET		1	1		
3-10	214-84159-61	. CORD, head lamp		1	1		
3-11	214-84131-61	. SCREW, rim adjuster	(ISO)	1	1		
3-12	233-84127-60	. WASHER, special		1	1		
3-13	233-84133-60	. COLLAR, adjust screw		1	1		
3-14	92901-04200	. WASHER, plain		1	1		
3-15	132-84328-60	. SPACER		1	1		
3-16	802-84126-00	. NUT	(ISO)	2	2		
3-17	198-84334-60	. NUT, adjust	(ISO)	1	1		
3-18	132-84335-60	. SPRING, lens adjust		1	1		
3-19	195-84325-00	SCREW, rim fitting	(ISO)	1	1		
3-20	233-82508-20	MAIN SWITCH ASS'Y		1	1		
3-21	233-82590-21	WIRE HARNESS ASS'Y		1	1		

[www.legends-yamaha-enduros.com](http://www.legends-yamaha-enduros.com)

---

---

First edition, Aug., '69

**YAMAHA DT1C/DT1C-S  
PARTS LIST**

**YAMAHA MOTOR CO., LTD.**  
HAMAKITA JAPAN

---

---