



**YAMAHA**

**PARTS LIST**

**MODEL DT1-SA**

[www.legends-yamaha-enduros.com](http://www.legends-yamaha-enduros.com)

**YAMAHA MOTOR CO.,LTD.**

# Instructions on Parts List

## YAMAHA DT1-SA

1. This Parts List is only shown the exclusive parts for DT1-SA model in illustration.
2. Please refer to DT1 Parts List for the parts not shown in this List.

### CONTENTS

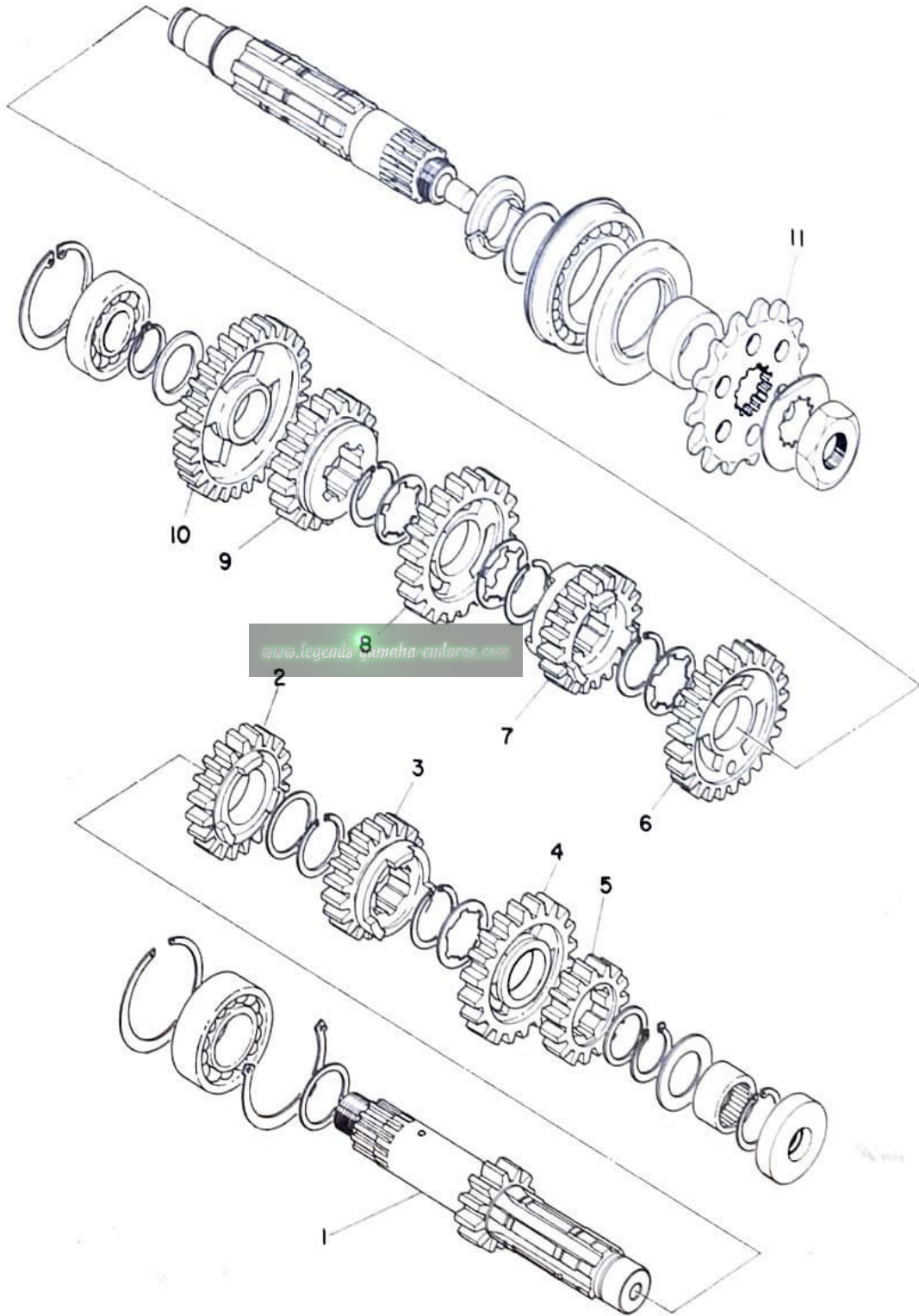
#### ENGINE

Fig. 1	Transmismission Gear .....	1
--------	----------------------------	---

#### CHASSIS

Fig. 2	Frame & Oil Tank .....	3
Fig. 3	Front Fork .....	5
Fig. 4	Flasher Lamp & SPEEDO TACHOMETER .....	7
Fig. 5	Electrical .....	9

Fig. 1 TRANSMISSION GEAR

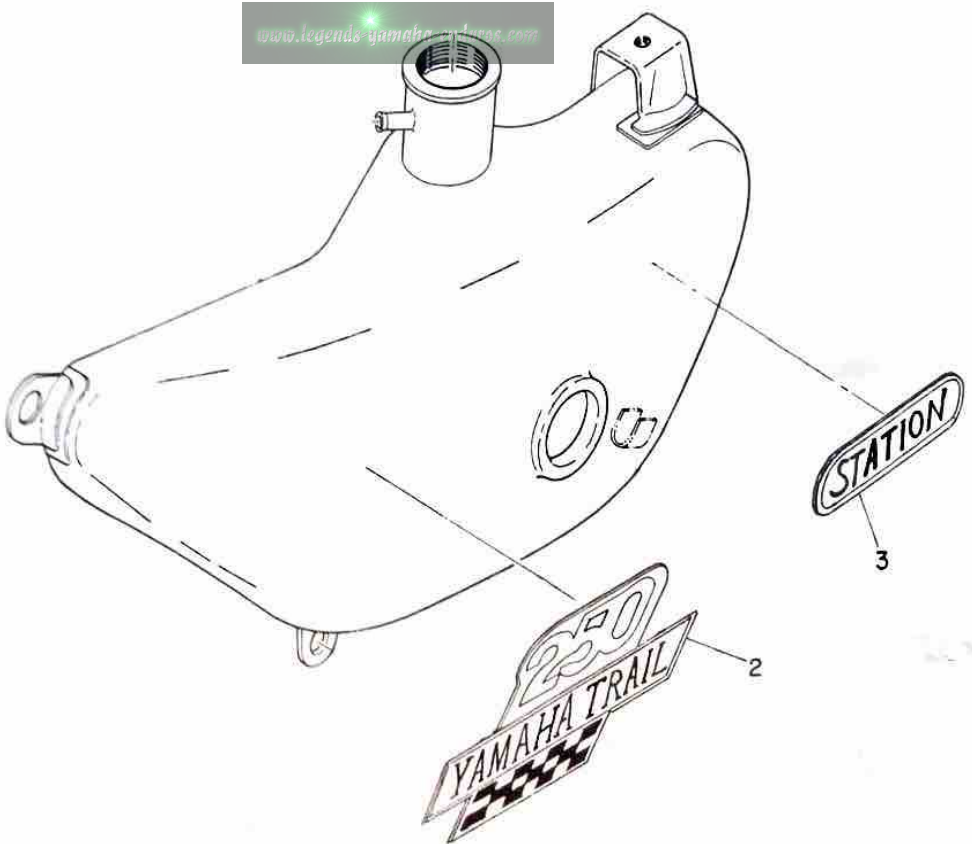
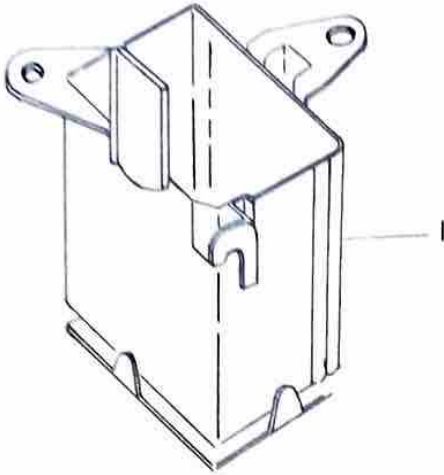


FWD

# TRANSMISSION GEAR

Ref No.	Parts No.	Parts Name	Description	Q'ty	S-R	Remarks
1- 0-1	214-17401-10	MAIN AXLE ASS'Y		1		
1- 1	214-17411-10	. AXLE, main	14T	1		
1- 2	214-17141-10	. GEAR, 4th pinion	26T	1		
1- 3	<del>150</del> 214-17131-10	. GEAR, 3rd pinion	23T	1		
1- 4	214-17231-10	. GEAR, 3rd wheel	30T	1		
1- 5	214-17121-10	. GEAR, 2nd pinion	19T	1		
1- 0-2	214-17402-10	DRIVE AXLE ASS'Y		1		
1- 6	214-17221-10	. GEAR, 2nd wheel	34T	1		
1- 7	214-17131-10	. GEAR, 3rd pinion	23T	1		
1- 8	214-17231-10	. GEAR, 3rd wheel	30T	1		
1- 9	214-17241-10	. GEAR, 4th wheel	26T	1		
1-10	214-17211-10	. GEAR, 1st wheel	38T	1		
1-11	214-17461- <del>30</del> <sup>38</sup>	SPROCKET, drive	14T	1		S. T. D

Fig. 2 FRAME & OIL TANK



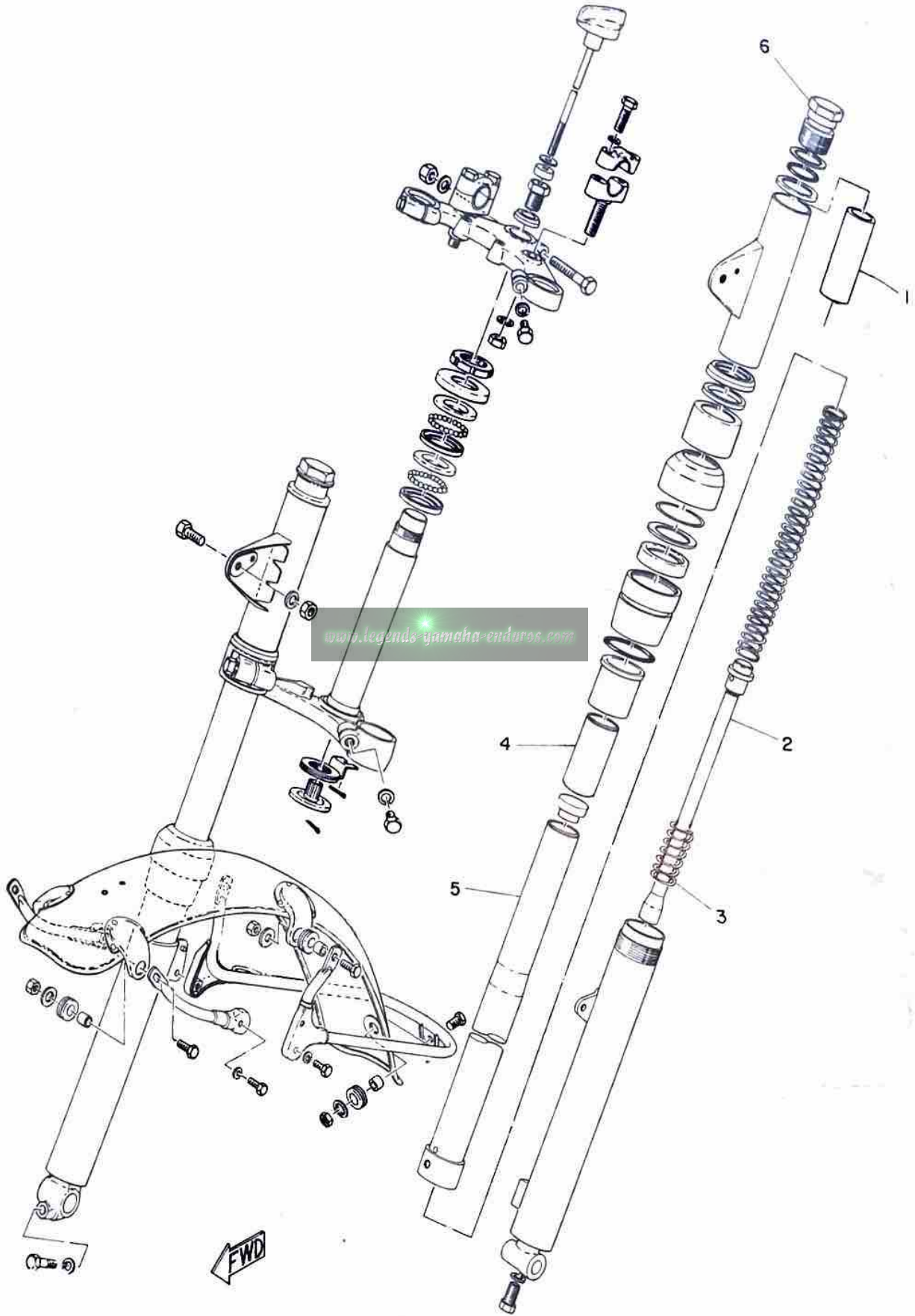
# FRAME & OIL TANK

Ref No.	Parts No.	Parts Name	Description	Q'ty	S-R	Remarks
2- 1	214-21240-10-33	BATTERY BOX COMP.		1		
2- 2	214-21783-01	EMBLEM, trail		1		
2- 3	214-21785-00	EMBLEM station		1		

[www.legends-yamaha-enduro.com](http://www.legends-yamaha-enduro.com)



Fig. 3 FRONT FORK



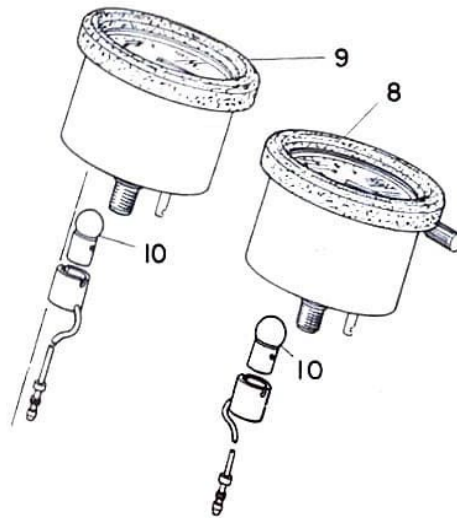
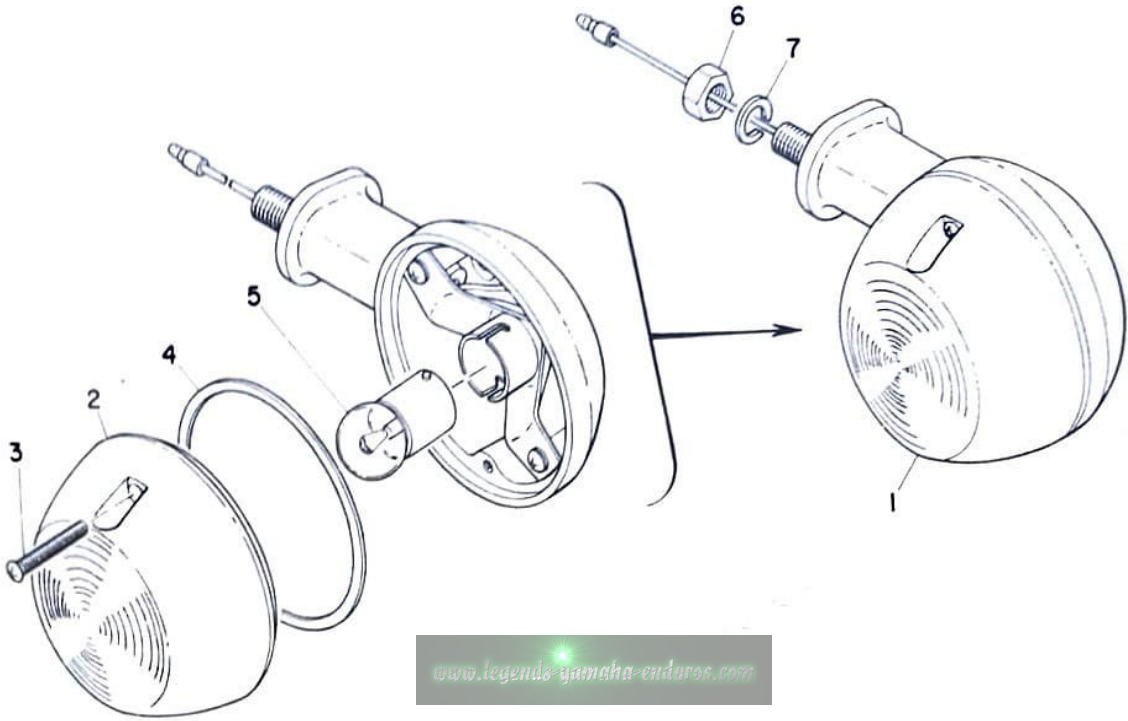
# FRONT FORK

Ref No.	Parts No.	Parts Name	Description	Q'ty	S·R	Remarks
3- 0-1	270-23100-00-52	FRONT FORK ASS'Y		1		
3- 1	264-23118-60	. SPACER		2		
3- 2	264-23170-60	. CYLINDER COMP.		2		
3- 3	264-23152-60	. SPRING, sub		2		
3- 4	264-23166-60	. SPACER		2		
3- 5	264-23124-60	. TUBE, inner		2		
3- 6	264-23111-60	. BOLT, cap		2		

[www.legends-yamaha-enduros.com](http://www.legends-yamaha-enduros.com)



Fig. 4 FLASHER LAMP & SPEED., TACHOMETER

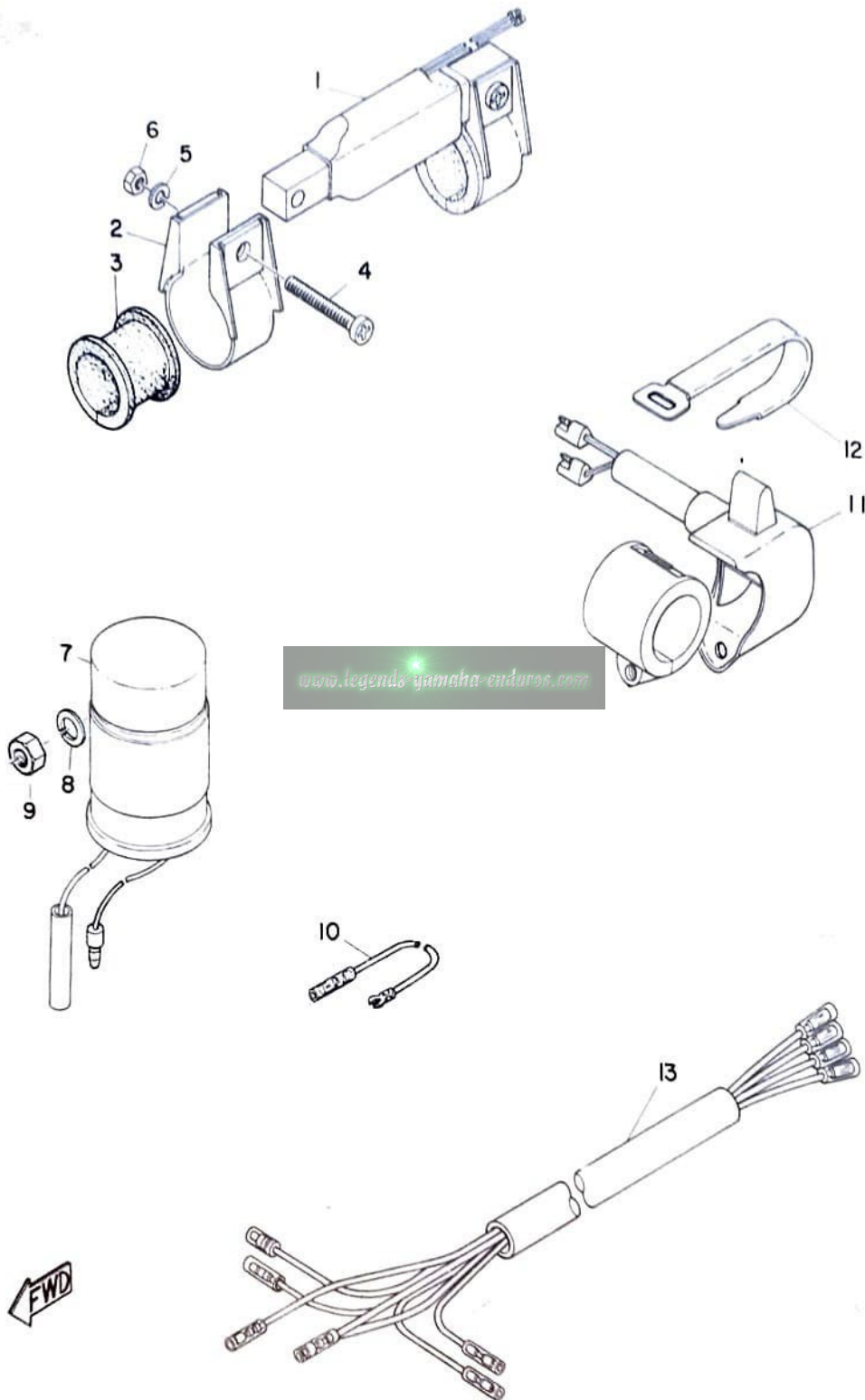


# FLASHER LAMP & SPEED., TACHOMETER

Ref No.	Parts No.	Parts Name	Description	Q'ty	S·R	Remarks
4- 1	214-83310-10	FRONT FLASHER LAMP ASS'Y		2		
	214-83330-10	REAR FLASHER LAMP ASS'Y(L.H)		1		
	214-83340-10	REAR FLASHER LAMP ASS'Y(R.H)		1		
4- 2	183-83332-20	. LENS, flasher		4		
4- 3	183-83333-21	. SCREW, lens fitting		8		
4- 4	183-83313-20	. GASKET, flasher lens		4		
4- 5	185-83311-10	. BULB, flasher	6V 8W	4		
4- 6	98801-08200	NUT		4		
4- 7	92901-08100	WASHER, spring		4		
4- 8	233-83570-30	SPEEDOMETER ASS'Y		1		
4- 9	233-83540-00	TACHOMETER ASS'Y		1		
4-10	122-83516-10	. BULB	6V 3W	2		

[www.legends-yamaha-enduros.com](http://www.legends-yamaha-enduros.com)

Fig. 5 ELECTRICAL



# ELECTRICAL

Ref No.	Parts No.	Parts Name	Description	Q'ty	S-R	Remarks
5- 1	233-81990-20	CHOKE COIL ASS'Y		1		
5- 2 -1	233-81991-00	BAND, coil fitting		1		
5- 3	233-81992-00	DAMPER, coil fitting		2		
5- 4	98501-05030	SCREW, pan head		2		
5- 5	92901-05100	WASHER, spring		2		
5- 6	98801-05200	NUT		2		
5- 7	214-83350-10	FLASHER RELAY ASS'Y		1		
5- 8	92901-06100	WASHER, spring		1		
5- 9	92801-06200	NUT		1		
5-10	214-83354-00	WIRE, earth lead		1		
5-11	214-83975-00	SWITCH, handle 3		1		
5-12	168-17428-01	BAND, switch cord		1		
5-13	233-82590-10	WIRE HARNESS ASS'Y		1		

[www.legends-yamaha-enduros.com](http://www.legends-yamaha-enduros.com)

[www.legends-yamaha-enduros.com](http://www.legends-yamaha-enduros.com)

---

First edition, March, '69

**YAMAHA DT1-SA**

**PARTS LIST**

**YAMAHA MOTOR CO., LTD.**

**HAMAKITA JAPAN**

---

[www.legends-yamaha-enduros.com](http://www.legends-yamaha-enduros.com)



**YAMAHA MOTOR CO.,LTD.**

**PRINTED IN JAPAN**